

## Applications:

- Marine and watertight requirements
- High vibration environments
- Dusttight requirements
- Military ships
- Patrol boats
- Coast Guard rescue vessels
- Life boat davits
- Surface mining<sup>A</sup>

## Features:

- Unique lamp suspension system design absorbs vibration to extend lamp life up to 50% longer than competitive brands
- High temperature silicone gasket provides a watertight seal
- Adjustable mounting allows 360° horizontal rotation, vertical positioning down 45° and up 90°; 60° up with handle option
- Medium flood with optional narrow or wide beam pattern (lamp included)
- Range of colored lenses available in red, blue, green and yellow
- Field replaceable lens and gasket
- Protective guard available

## Certifications and compliances:

- UL1598A – Luminaires for Marine Vessels
- Type 4X
- Conforms to IP66
- Marine Outside Type Saltwater
- ABS

## Standard materials and finishes:

- Housing – cast copper-free aluminum with an electrostatically applied white polyester powder coat finish or cast marine brass (see listings)
- Mounting base – cast copper-free aluminum with an electrostatically applied black polyester powder coat finish or cast marine brass (see listings)
- Lens – clear heat-resistant glass (standard); colored (red, blue, green, yellow) heat-resistant glass (optional)
- Hardware – stainless steel
- Gasket – one-piece silicone
- Optional guard – stainless steel
- Lamp holder – porcelain



Lamp suspension system

<sup>A</sup>Applicable for aluminum models only.



Aluminum



Brass (shown with optional red lens)

## Technical specifications:

- Entries – 1/2" NPT with cable gland and six feet of 16/3 cable (standard); 3/4" NPT (optional)
- Lamp type – 300 watt medium floodlight PAR56 or 500 watt quartz halogen (lamp provided); narrow spot or wide beam lamps (optional)
- Lamp holder – mogul end prong; low voltage lamps wired direct
- Voltage – rated for operation on 120V; 12V and 28V (optional)
- Terminal block – 2-pole

## Mounting option:

- Surface mount

## Photometrics:

- Refer to [www.eaton.com](http://www.eaton.com) (under the Resources tab of each product family) for specific photometric IES files

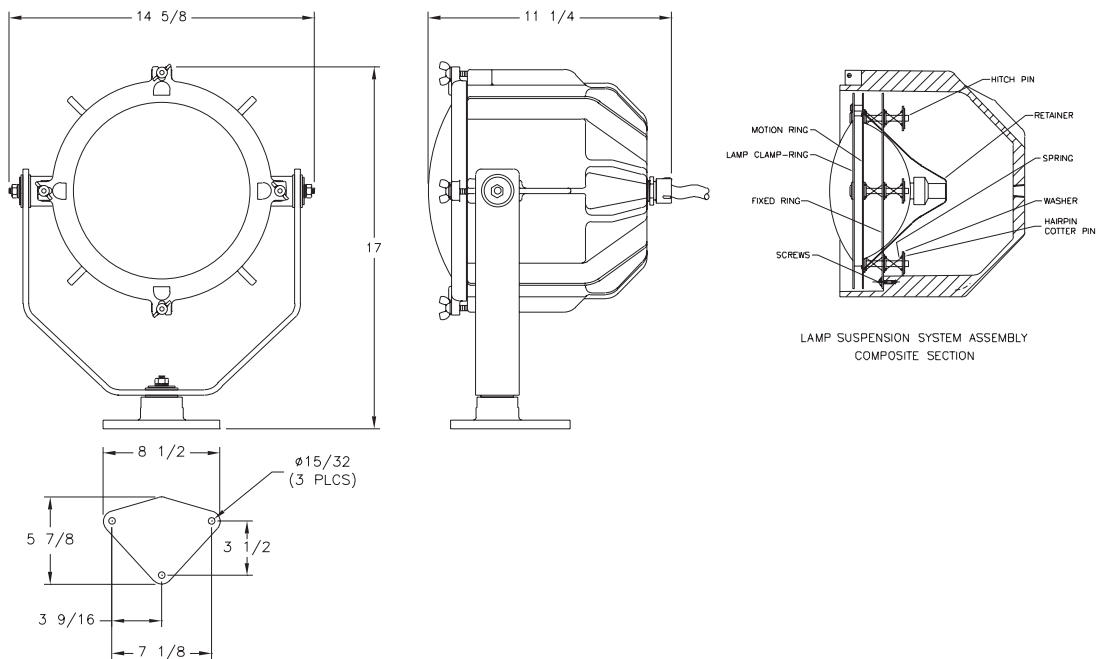
## Options:

Description	Suffix
• Guard .....	<b>GRD</b>
• Narrow spot light type.....	<b>NSP<sup>B</sup></b>
• Wide floodlight type .....	<b>WFL<sup>B</sup></b>
• Handle and clamp .....	<b>HDL</b>
• 12V medium floodlight type (300W).....	<b>12</b>
• 28V medium floodlight type (450W).....	<b>28<sup>C</sup></b>
• Red colored lens.....	<b>RED</b>
• Blue colored lens.....	<b>BLU</b>
• Green colored lens .....	<b>GRN</b>
• Yellow colored lens .....	<b>YEL</b>

## Ordering information:

Cat. #	Description	Material	Weight (lbs.)	ANSI lamp type
<b>746AMR</b>	300W incandescent	Aluminum	22.0	PAR56/MFL
<b>746AQMR</b>	500W quartz halogen	Aluminum	22.0	PAR56Q/MFL
<b>746BMR</b>	300W incandescent	Brass	56.0	PAR56/MFL
<b>746BQMR</b>	500W quartz halogen	Brass	56.0	PAR56Q/MFL

## Dimensions (in inches):



<sup>B</sup> For 120V only.  
<sup>C</sup> 10 hour lamp life.

## Applications:

- Marine and watertight requirements
- High vibration environments
- Military ships
- Patrol boats
- Coast Guard rescue vessels
- Life boat davits
- Surface mining<sup>A</sup>

## Features:

- Floating lamp assembly absorbs vibration to extend lamp life
- High temperature silicone gasket provides a watertight seal
- Adjustable mounting allows 360° horizontal rotation, vertical positioning down 45° and up 90°; 60° up with handle option
- Medium flood with optional narrow, very narrow or wide beam pattern (lamp included)
- Range of colored lenses available in red, blue, green and yellow
- Field replaceable lens and gasket
- Protective guard available

## Certifications and compliances:

- UL1598A – Luminaires for Marine Vessels
- Type 4
- Conforms to IP66
- Marine Outside Type Saltwater
- ABS

## Standard materials and finishes:

- Housing – cast copper-free aluminum with an electrostatically applied white polyester powder coat finish or cast marine brass (see listings)
- Mounting base – cast copper-free aluminum with an electrostatically applied black polyester powder coat finish or cast marine brass (see listings)
- Lens – clear heat-resistant glass (standard); colored (red, blue, green, yellow) heat-resistant glass (optional)
- Hardware – stainless steel
- Gasket – one-piece silicone
- Optional guard – stainless steel
- Lamp holder – porcelain



Aluminum



Brass

## Technical specifications:

- Entries – one sealed watertight cable gland and six feet of 16/3 cable
- Lamp type – 500 watt medium floodlight PAR64 or 1000 watt quartz halogen (lamp provided); narrow spot, very narrow spot or wide beam lamps (optional)
- Lamp holder – mogul end prong
- Voltage – rated for operation on 120V; contact factory for other voltage and frequency options

## Mounting option:

- Surface mount

## Photometrics:

- Refer to [www.eaton.com](http://www.eaton.com) (under the Resources tab of each product family) for specific photometric IES files

<sup>A</sup>Applicable for aluminum models only.

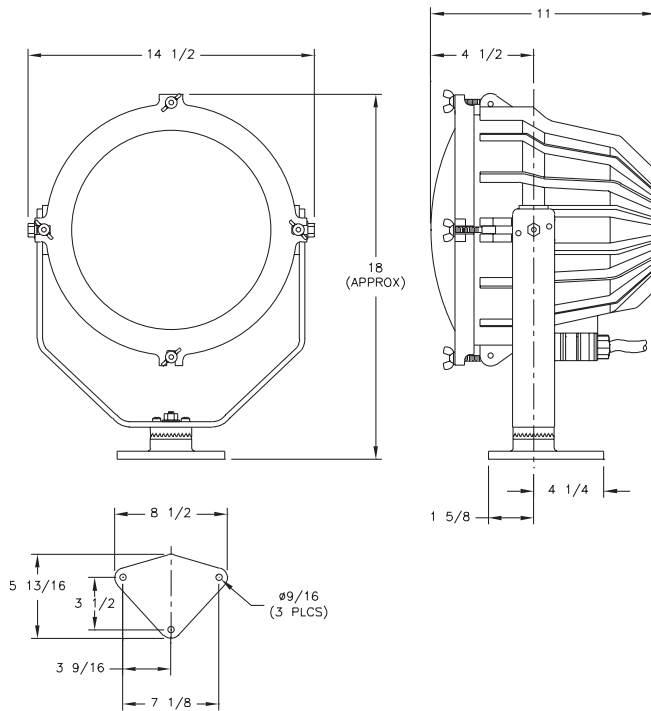
## Options:

Description	Suffix
• Guard .....	<b>GRD</b>
• Narrow spot light type .....	<b>NSP</b>
• Very narrow spot light type .....	<b>VNS</b>
<i>Available with quartz halogen models only</i>	
• Wide floodlight type .....	<b>WFL</b>
• Handle and clamp .....	<b>HDL</b>
• Red colored lens .....	<b>RED<sup>®</sup></b>
• Blue colored lens .....	<b>BLU<sup>®</sup></b>
• Green colored lens .....	<b>GRN<sup>®</sup></b>
• Yellow colored lens .....	<b>YEL<sup>®</sup></b>

## Ordering information:

Cat. #	Description	Material	Weight (lbs.)	ANSI lamp type
749A	500W incandescent	Aluminum	24.0	PAR64/MFL
749AQ	1000W quartz halogen	Aluminum	24.0	PAR64Q/MFL
749B	500W incandescent	Brass	60.0	PAR64/MFL
749BQ	1000W quartz halogen	Brass	60.0	PAR64Q/MFL

## Dimensions (in inches):



<sup>®</sup> Not available with quartz halogen models.

## Applications:

- Marine and watertight requirements
- Military ships
- Patrol boats
- Coast Guard rescue vessels
- Life boat davits

## Features:

- High temperature silicone gasket provides a watertight seal
- Medium flood with optional narrow or wide beam pattern (lamp included)
- Adjustable mounting positions
- Range of colored lenses available in red, blue, green and yellow
- Field replaceable lens and gasket
- Shock mount available
- Protective guard available

## Certifications and compliances:

- UL1598A – Luminaires for Marine Vessels
- Type 4
- Conforms to IP66
- Marine Outside Type Saltwater
- ABS

## Standard materials and finishes:

- Housing and mounting base – cast copper-free aluminum with an electrostatically applied white polyester powder coat finish or cast marine brass (see listings)
- Lens – clear heat-resistant glass (standard); colored (red, blue, green, yellow) heat-resistant glass (optional)
- Hardware – stainless steel
- Gasket – one-piece silicone
- Optional guard – stainless steel
- Lamp holder – porcelain



Aluminum



Brass

## Technical specifications:

- Entries – one sealed watertight cable gland and six feet of 16/3 cable
- Lamp type – 200 watt medium floodlight PAR46 or 300 watt medium floodlight PAR56 (lamp provided); narrow spot or wide beam lamps (optional)
- Lamp holder – medium end prong (740 models); mogul end prong (741 models)
- Voltage – rated for operation on 120V

## Mounting option:

- Surface mount

## Photometrics:

- Refer to [www.eaton.com](http://www.eaton.com) (under the Resources tab of each product family) for specific photometric IES files

# Pauluhn 740 and 741 industrial spot lights

Type 4  
Conforms to IP66

5L

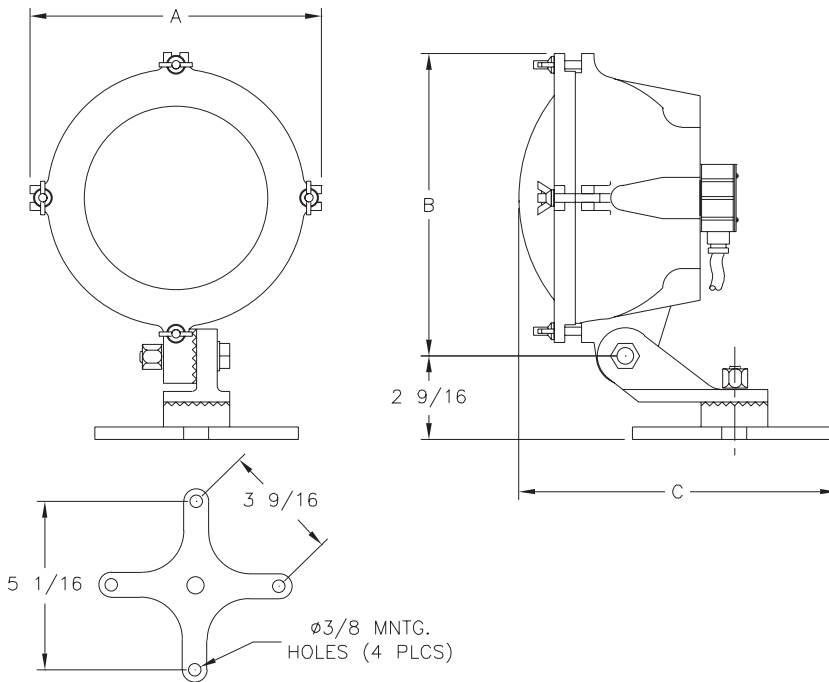
## Options:

Description	Suffix
• Guard .....	<b>GRD</b>
• Shock mount .....	<b>RS</b>
• Narrow spot light type .....	<b>NSP</b>
• Wide floodlight type .....	<b>WFL</b>
<i>Available with 741 models only</i>	
• Handle.....	<b>HDL</b>
• Red colored lens.....	<b>RED</b>
• Blue colored lens.....	<b>BLU</b>
• Green colored lens .....	<b>GRN</b>
• Yellow colored lens .....	<b>YEL</b>

## Ordering information:

Cat. #	Description	Material	Weight (lbs.)	ANSI lamp type
<b>740ASM</b>	200W incandescent	Aluminum	6.0	PAR46/MFL
<b>741ASM</b>	300W incandescent	Aluminum	8.0	PAR56/MFL
<b>740SM</b>	200W incandescent	Brass	14.0	PAR46/MFL
<b>741SM</b>	300W incandescent	Brass	19.0	PAR56/MFL

## Dimensions (in inches):



Cat. #	A	B	C
740	8 <sup>3</sup> / <sub>4</sub>	9 <sup>1</sup> / <sub>8</sub>	8 <sup>3</sup> / <sub>16</sub>
741	10 <sup>1</sup> / <sub>16</sub>	10 <sup>1</sup> / <sub>8</sub>	8 <sup>7</sup> / <sub>8</sub>