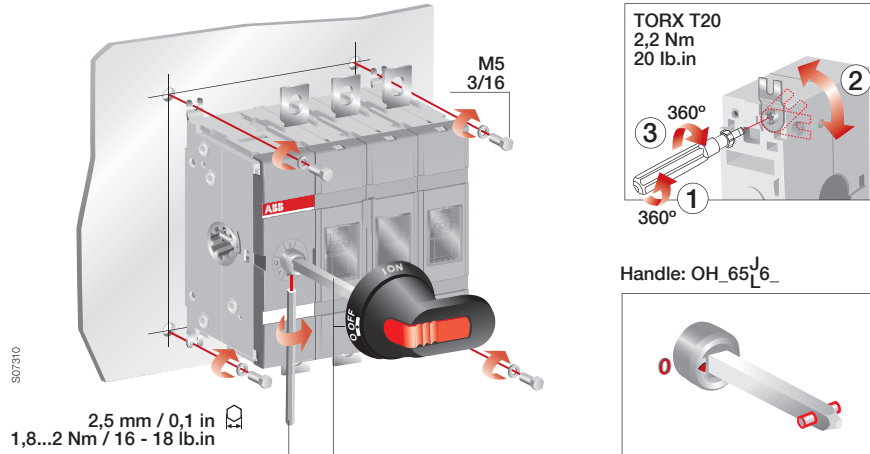


# OTDC100-250

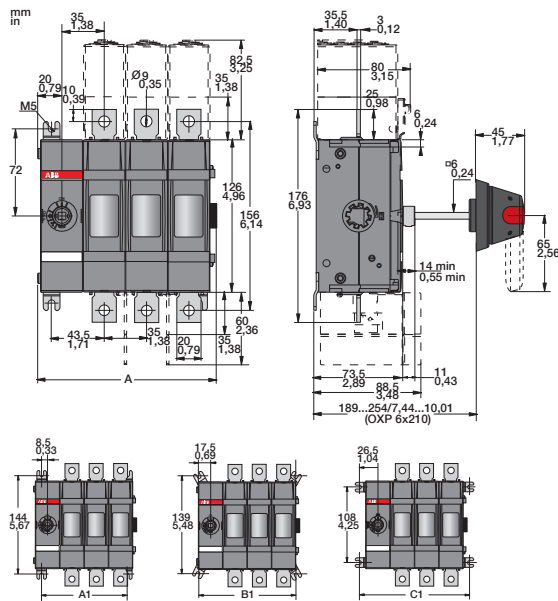
1SCC301081M0203

Document no. 34OTDC200-250 C

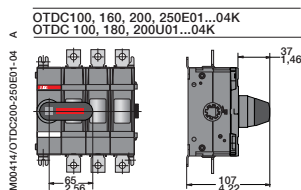
## OTDC100E\_/160E\_/200E\_/250E\_/100U\_/180U\_/200U\_



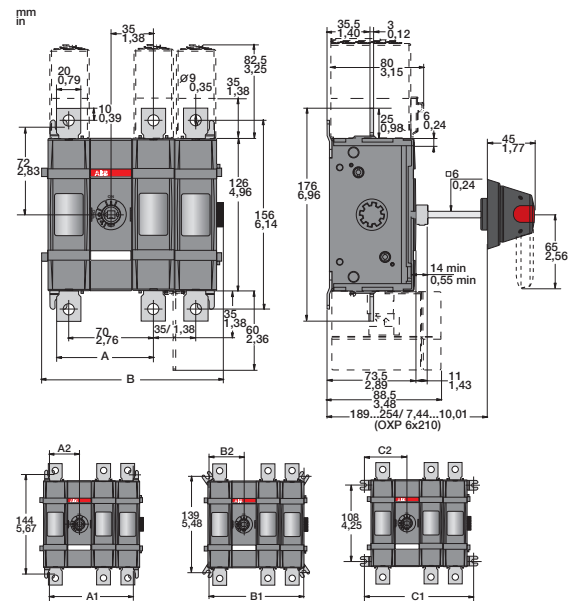
### OTDC100/160/200/250E01-04, OTDC100/180/200U01-04



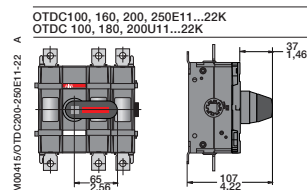
OTDC100, 160, 200, 250E01...04				
OTDC 100, 180, 200U01...04				
[mm/in]	01	02	03	04
A	78/3,07	113/4,45	148/5,83	183/7,21
A1	52/2,05	87/3,43	122/4,81	157/6,18
B1	70/2,76	105/4,14	140/5,51	175/6,89
C1	88/3,46	123/4,85	158/6,22	193/7,6



### OTDC100/160/200/250E11-22, OTDC100/180/200U11-22

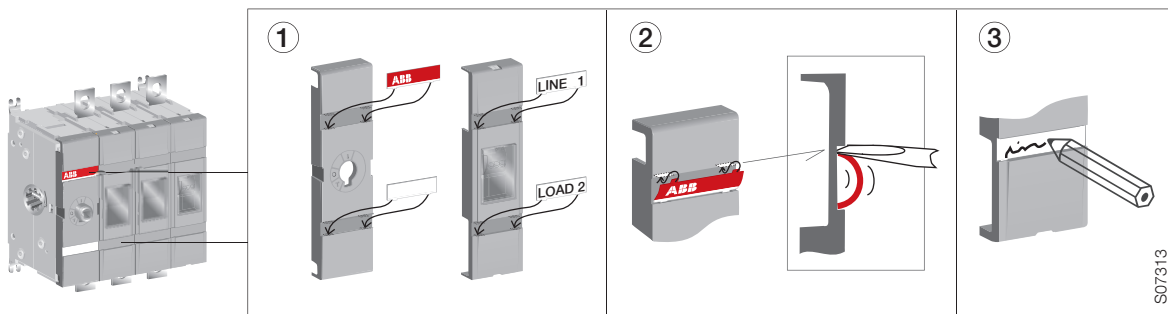


OTDC100, 160, 200, 250E11...22				
OTDC100, 180, 200U11...22				
[mm/in]	11	12	13	22
A	80/3,15	80/3,15	80/3,15	115/4,53
B	115,5/4,55	150,5/5,93	185,5/7,31	185,5/7,31
A1	87/3,43	122/4,81	157/6,18	157/6,18
A2	43,5/1,71	43,5/1,71	43,5/1,71	78,5/3,09
B1	105/4,14	140/5,51	175/6,89	175/6,89
B2	52,5/2,07	52,5/2,07	52,5/2,07	87,5/3,44
C1	123/4,85	158/6,22	193/7,6	193/7,6
C2	61,5	61,5	61,5	96,5

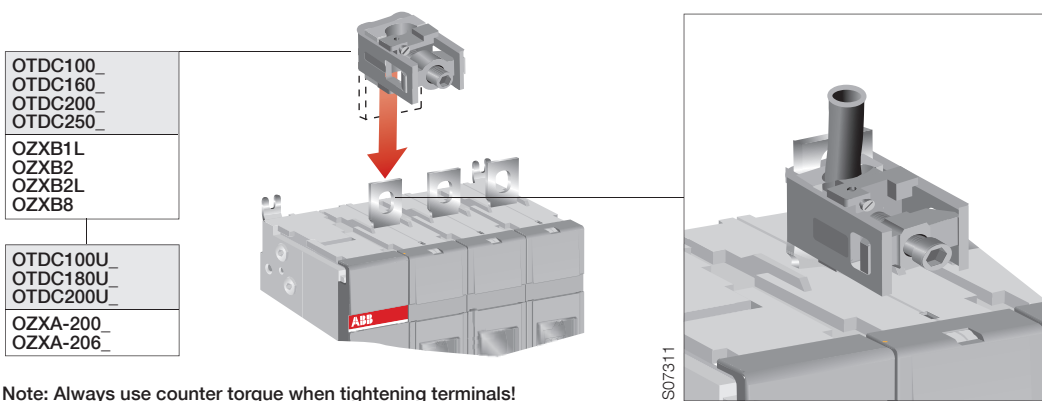


# OTDC100-250

## Label



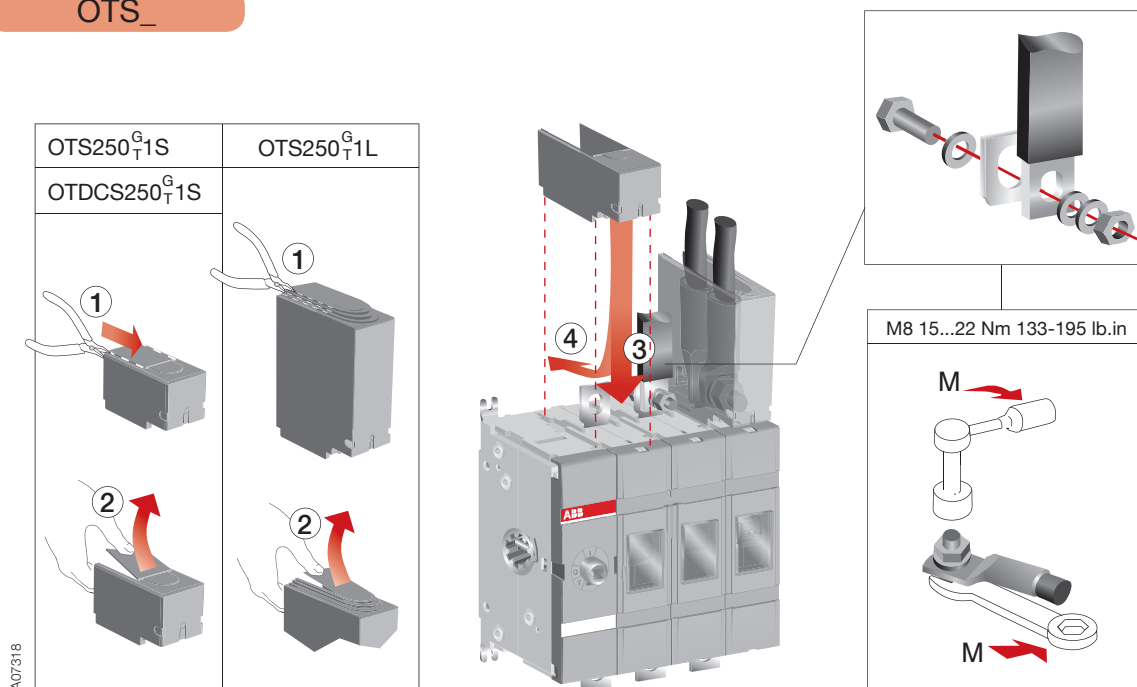
## OZX\_



Note: Always use counter torque when tightening terminals!

S07311

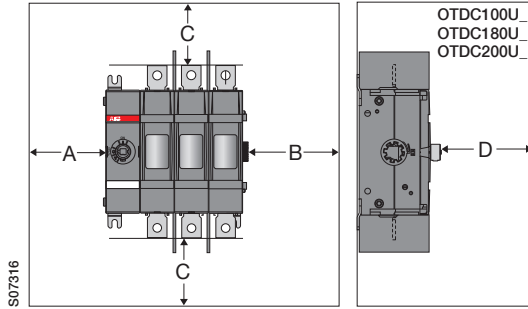
## OTS\_



# OTDC100-250

## Clearances per UL98

Minimum distances to enclosure walls



Minimum enclosure size or equivalent volume

Height	Width	Depth
300 mm	x 350 mm	x 200 mm
12 in	x 14 in	x 8 in

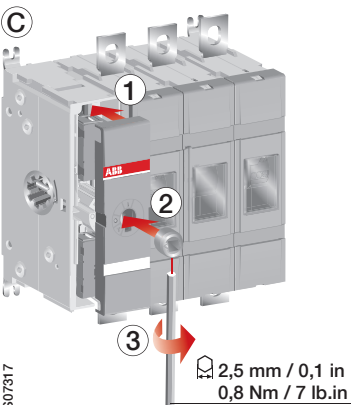
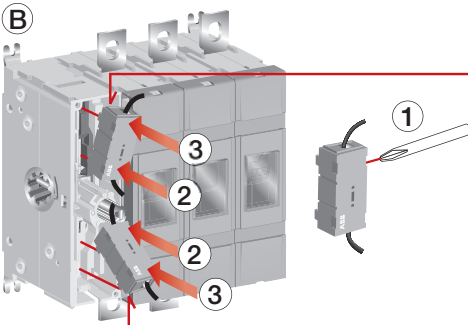
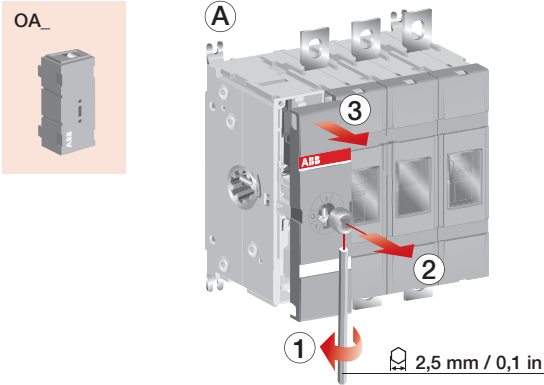
  

A	B	D
0	13 mm 0,5 in	13 mm 0,5 in

C Cable size	
AWG	
4-3	100 mm 4 in
2	100 mm 4 in
1	100 mm 4 in
1/0	125 mm 5 in
2/0	150 mm 6 in
3/0-4/0	175 mm 7 in
MCM	
250	200 mm 8 in
300	250 mm 10 in

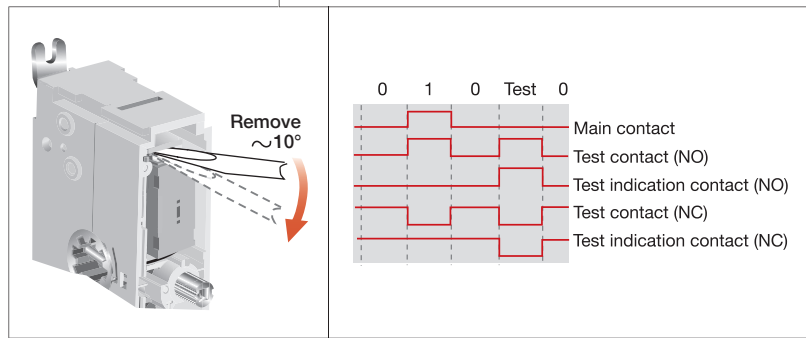
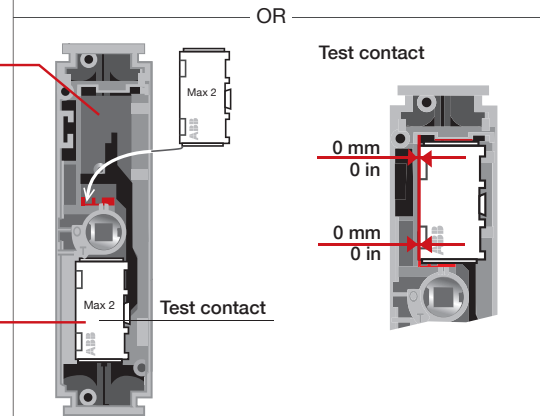
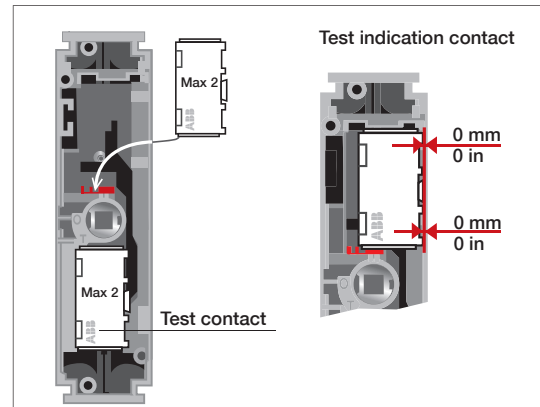
S07316

## OA\_



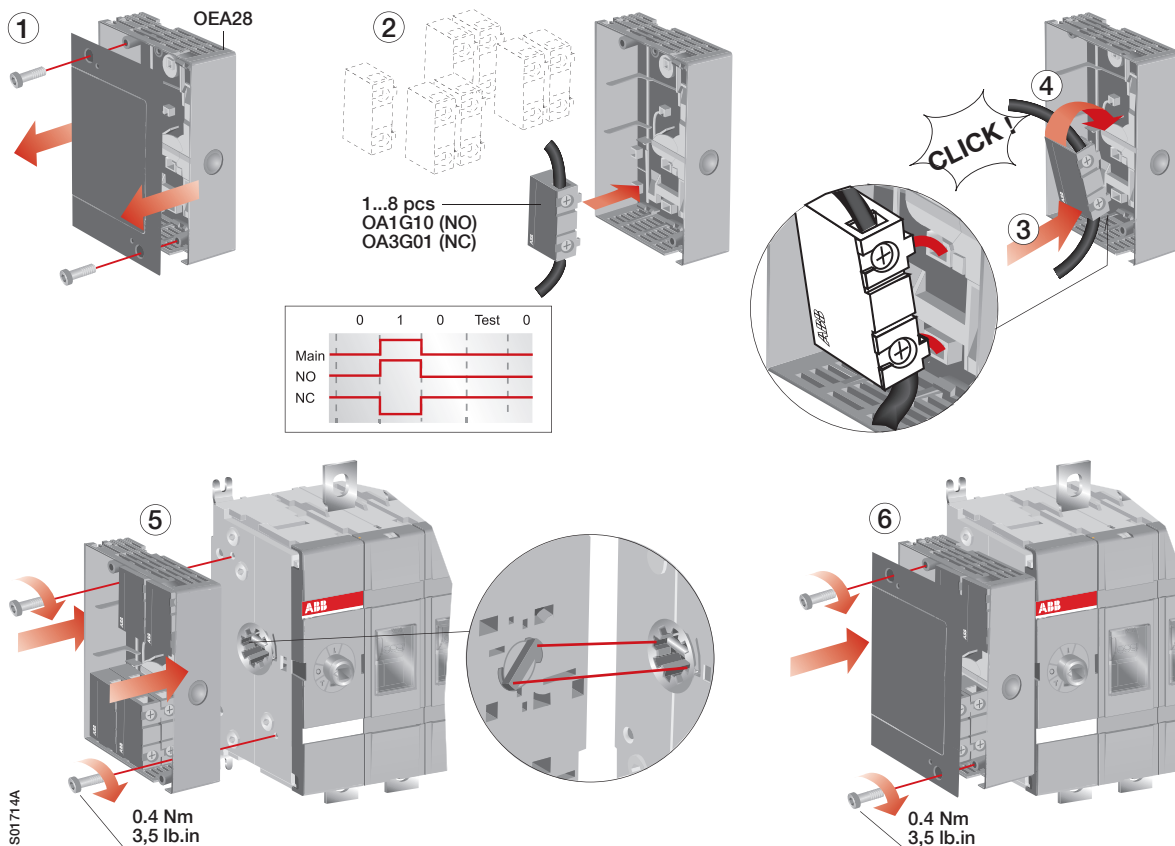
S07317

NO: OA1G10  
NC: OA3G01

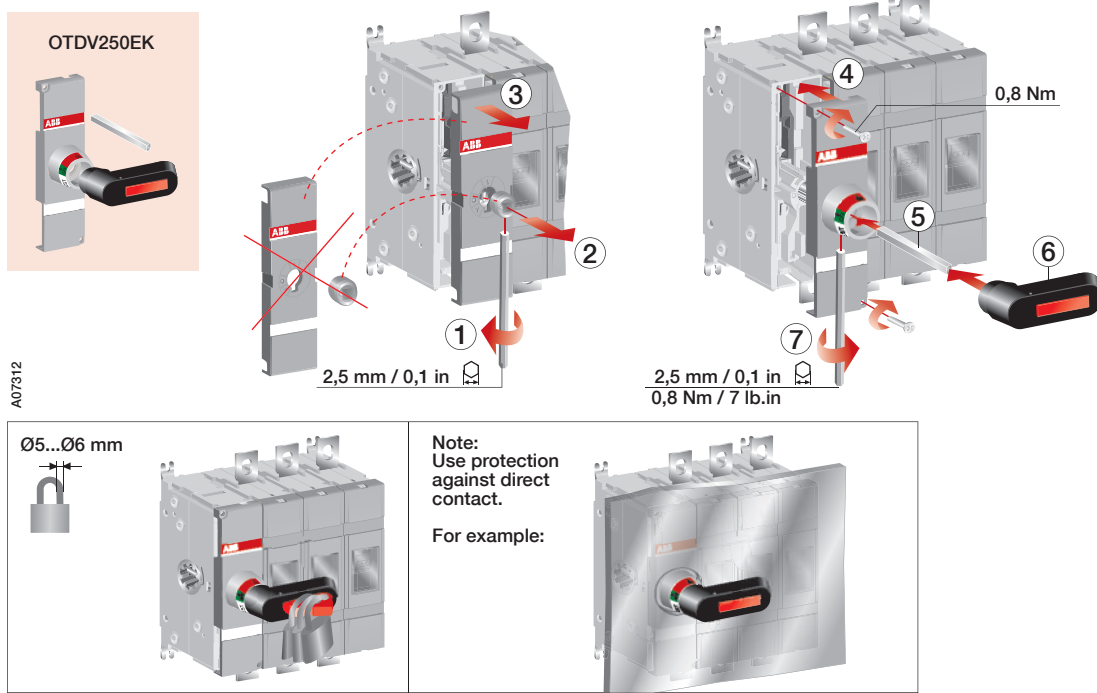


# OTDC100-250

## OEA\_



## OTDV\_



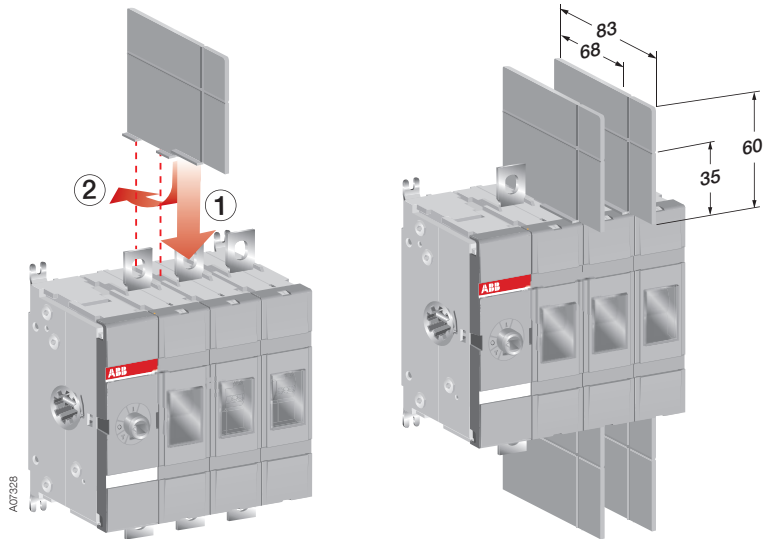
# OTDC100-250

## OTDCB\_

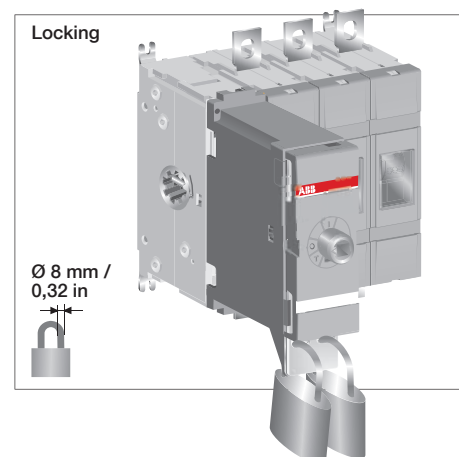
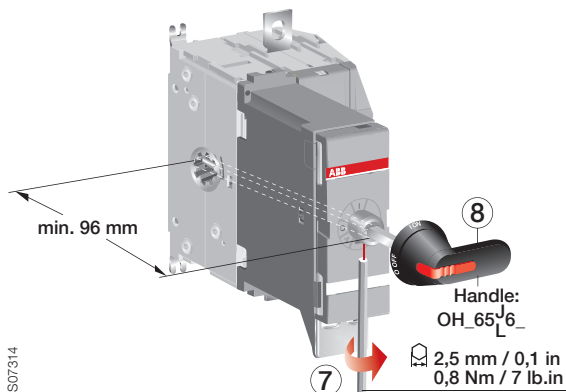
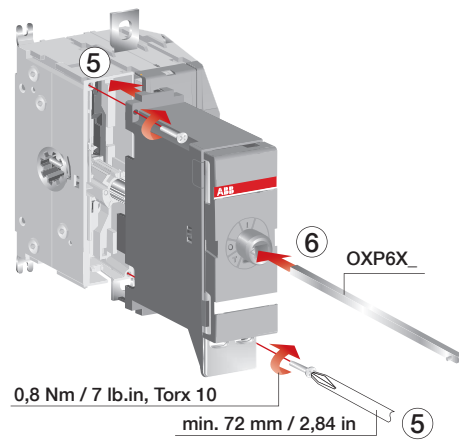
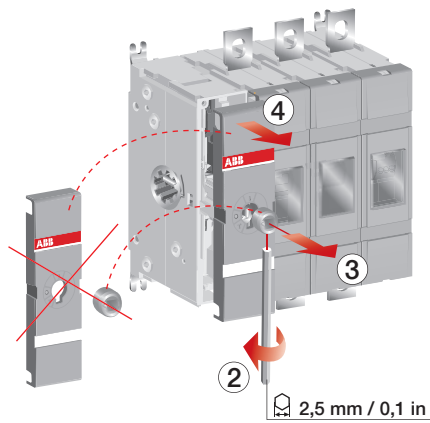
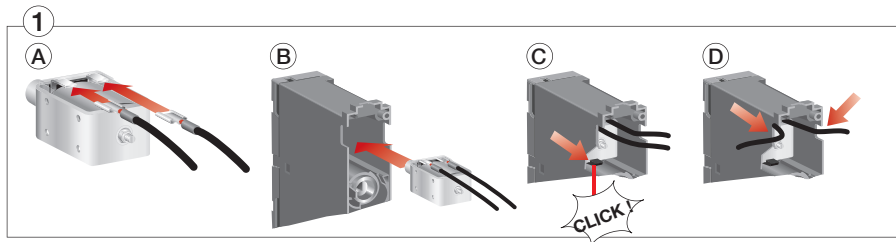
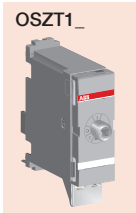
Barriers 69445 or shrouds must be used on OTDC100U\_, OTDC180U\_ and OTDC200U\_ to maintain 1" clearance.

Barriers must also be used on all OTDC100-250E\_ types if clearance between poles is less than 14 mm.

Type for package of 6 barriers is OTDCB250/6.



## OSZT1\_



S07314

# OTDC100-250

OEZXY91, 92

