



Part Number : 1301230140

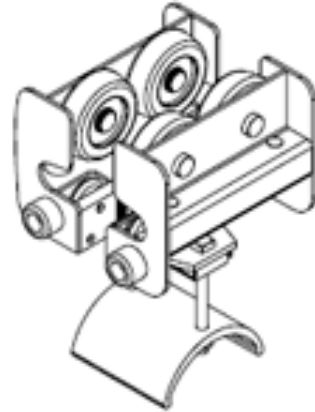
Product Description : I-Beam Festoon  
Intermediate Car Round S4 Steel Wheels

Series Number : 130123

Status : Active

Product Category : Festoons

Engineering Number : S639410



---

## Product Environment Compliance

### Compliance

China RoHS	Not Reviewed
EU ELV	Not Reviewed
Low-Halogen Status	Not Reviewed
REACH SVHC	Not Reviewed
EU RoHS	Not Reviewed

### Multiple Part Product Compliance Statements

- Eu RoHS
- REACH SVHC
- Low-Halogen

### Multiple Part Industry Compliance Documents

- IPC 1752A Class C
- IPC 1752A Class D
- Molex Product Compliance Declaration
- IEC-62474
- chemSHERPA (xml)

### EU RoHS Certificate of Compliance

---

## Part Details

### General

Status	Active
Category	Festoons

Series	130123
Description	I-Beam Festoon Intermediate Car Round S4 Steel Wheels
Component Type	Car - Intermediate
Product Name	Aero-Motive
Type	I-Beam
UPC	78678862929

## Electrical

Voltage - Maximum	600V
-------------------	------

## Physical

Beam Size	S4 - 101.60mm
Cable Height - Maximum	26.16mm (1.030")
Combined Cable Weight-Max./Car	158.76kg (350.0 lb)
Depth	209.55mm (8.250")
Duty	Heavy
Height	336.55mm (13.250")
Length	325.88mm (12.830")
Material - Coating	Powder Coating
Material - Metal	Steel
Material - Wheel	Steel
Net Weight	464.970/g
Number of Cars	1
Packaging Type	Individual Carton
Saddle Radius	112.78mm (4.440")
Thread Size	N/A
Travel Speed - Maximum	121.92 mpm (400 fpm)
Wire/Cable Type	Round