

# Specifications

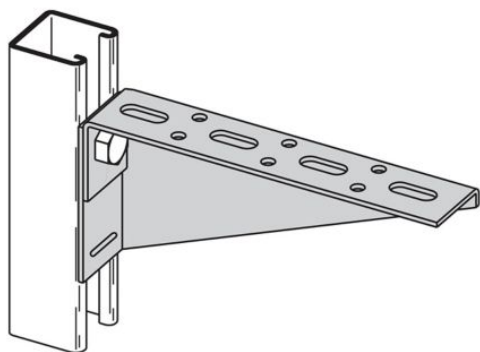


Photo is representative

## Eaton B179SHRZN

Eaton B-Line series slotted bracket, 3.93" H x 14" L x 1.62" W, Steel, Electro-plated, 1/4" Gauge, Right bracing slotted bracket

### General specifications

<b>PRODUCT NAME</b>	Eaton B-Line series slotted bracket
<b>CATALOG NUMBER</b>	B179SHRZN
<b>UPC</b>	781011517137
<b>PRODUCT LENGTH/DEPTH</b>	14 in
<b>PRODUCT HEIGHT</b>	3.93 in
<b>PRODUCT WIDTH</b>	1.62 in
<b>PRODUCT WEIGHT</b>	1.62 lb
<b>COMPLIANCES</b>	Not Applicable
<b>CERTIFICATIONS</b>	Not Applicable



Powering Business Worldwide

## Model

<b>SPECIAL FEATURES</b>	6 holes ,(1)7/16 In dia,(4)1In lenX13/32
<b>TYPE</b>	Right bracing slotted bracket

## Material/finish

<b>FINISH</b>	Electro-plated
<b>MATERIAL</b>	Steel
<b>MATERIAL GAUGE</b>	1/4"

## Resources

<b>BROCHURES</b>	<a href="#">Strut Channel Identification Overview</a>
<b>CATALOGS</b>	<a href="#">Strut Fittings Catalog Section</a> <a href="#">Channel Nuts and Hardware Catalog Section</a>
<b>SERVICE AND TROUBLESHOOTING</b>	<a href="#">B-Line engineering services line card</a>
<b>SPECIFICATIONS AND DATASHEETS</b>	<a href="#">Eaton Specification Sheet - B179SHRZN</a>

**PROJECT NAME:**

**PROJECT NUMBER:**

**PREPARED BY:**

**DATE:**



### Eaton Corporation plc

Eaton House  
30 Pembroke Road  
Dublin 4, Ireland  
Eaton.com

© 2025 Eaton. All Rights Reserved.

Follow us on social media to get the latest product and support information.

