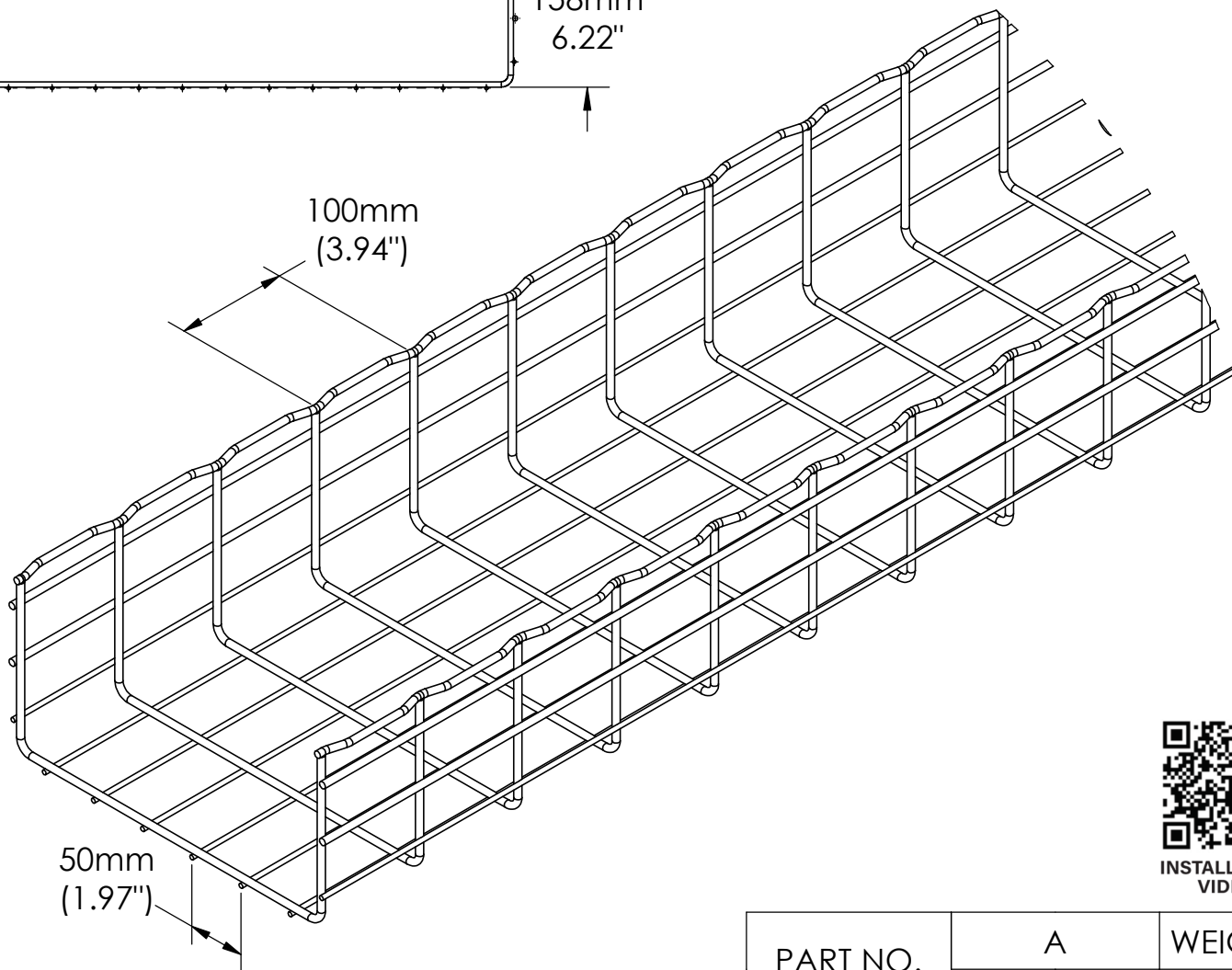
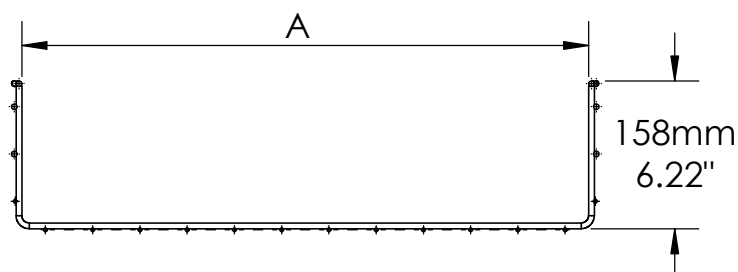




Cablofil Wire Mesh Cable Tray Straight Section

CF150 6" High Side Rail



INSTALLATION
VIDEO

- Tray Designed per NEMA VE-1, CSA C22.2 No. 126
- CF series has top wave wire which eliminates sharp edges
- EZ, BL, WH, PE and HR finishes are UL Classified

Finish: EZ (Electroplated Zinc)
 BL (Black Painted)
 WH (White Painted)
 PE (Custom Painted)
 HR (High Resistance)
 304L (Stainless Steel 304)
 316L (Stainless Steel 316)

PART NO.	A		WEIGHT
	in	mm	lb
CF150/150	5.90	150	15.74
CF150/200	7.87	200	20.13
CF150/300	11.81	300	22.92
CF150/450	17.71	450	27.10
CF150/500	19.68	500	28.50
CF150/600	23.62	600	31.29

TRAY LENGTH 3000mm (118.20")

"Copyright LNA, Inc. Drawings are proprietary and may not be copied or otherwise duplicated or used without express written permission."

CABCS0483.E



Legrand
 8319 State Rt. 4
 Mascoutah, IL 62258 USA
 800-658-4641
 618-566-3250
 Fax 618-566-4978
www.legrand.us/cablofil