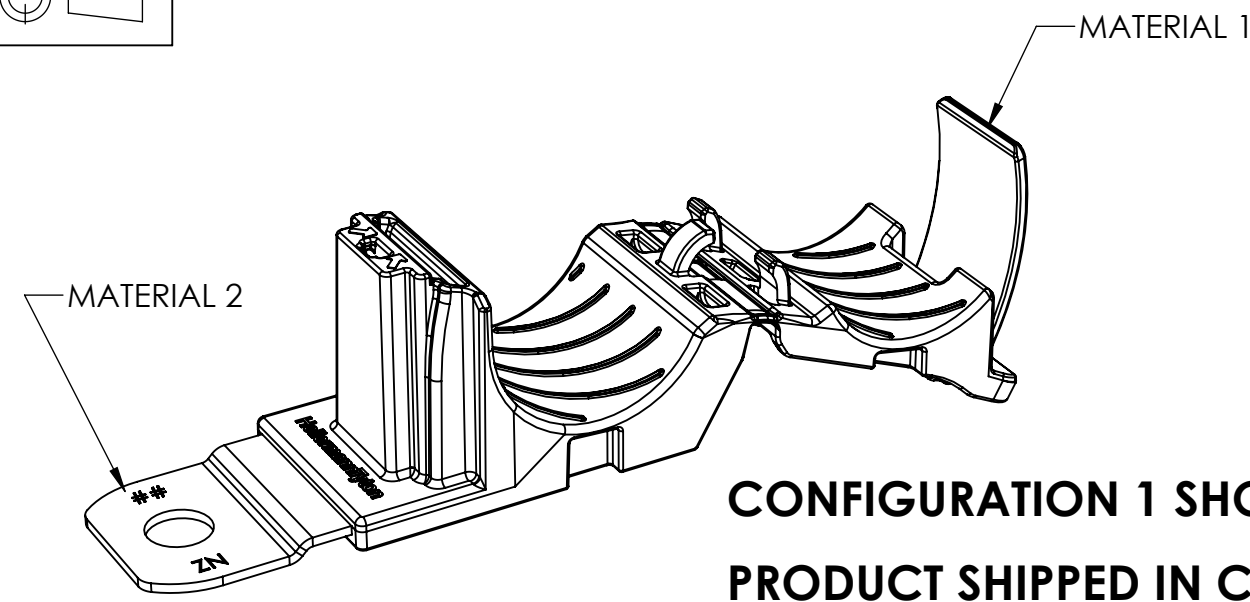
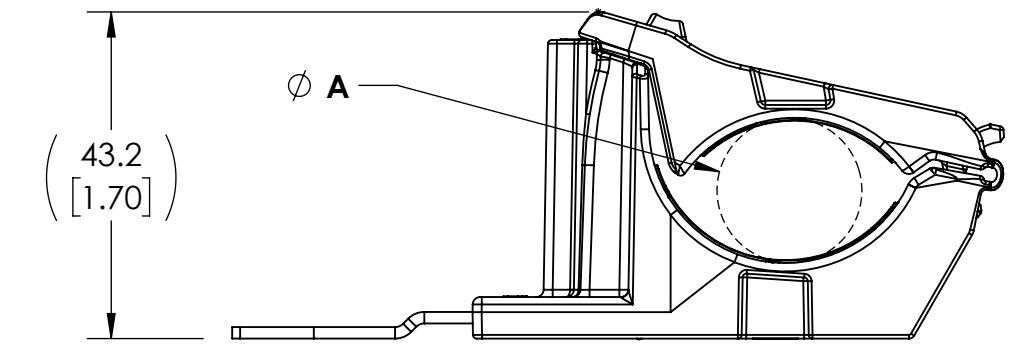


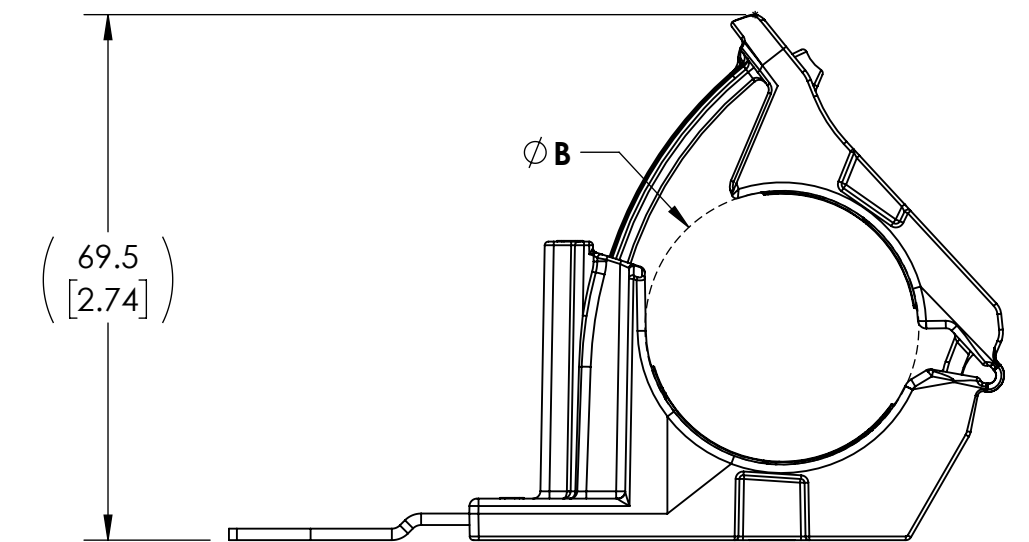
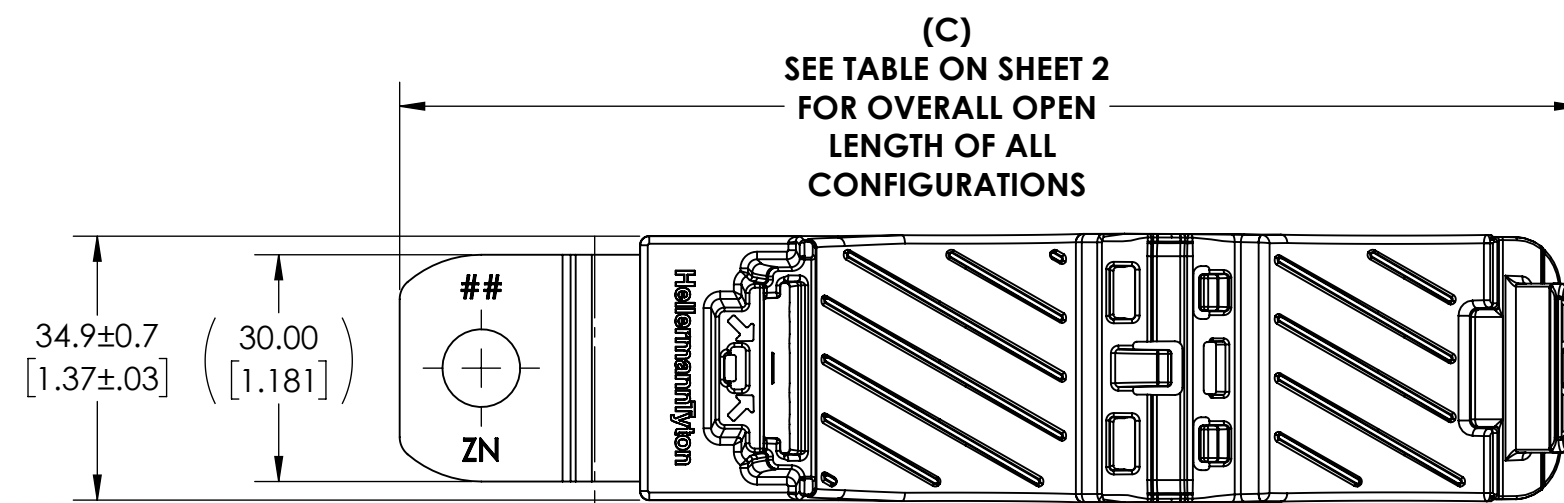
Revision level			Revision Record	Changed	Date	Approved	Date
Drawing	State	Part					
09.1	Design Release	-	SEE ECN# 016631	RLV	8/11/2021	MHT	8/11/2021



**CONFIGURATION 1 SHOWN  
PRODUCT SHIPPED IN CLAMP OPEN POSITION**



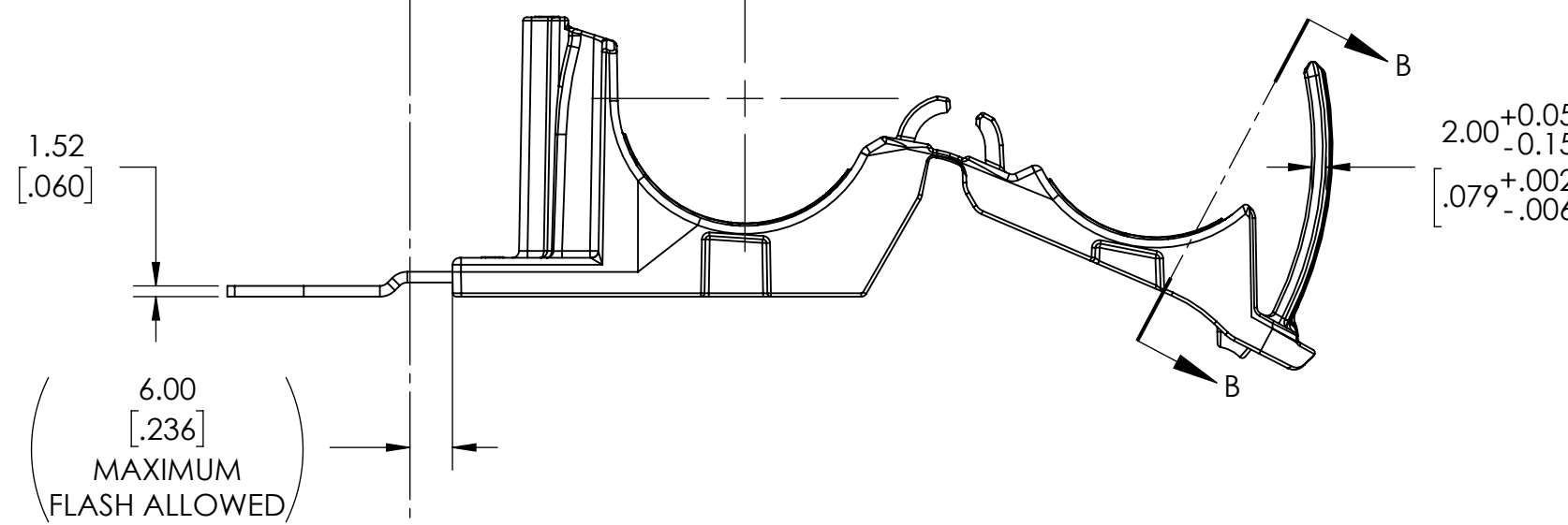
**MINIMUM BUNDLE DIAMETER**



**MAXIMUM BUNDLE DIAMETER**

**INITIAL MOLD VALIDATION:**  
DRY AS MOLDED WITH ≤ 0.5% MOISTURE CONTENT:

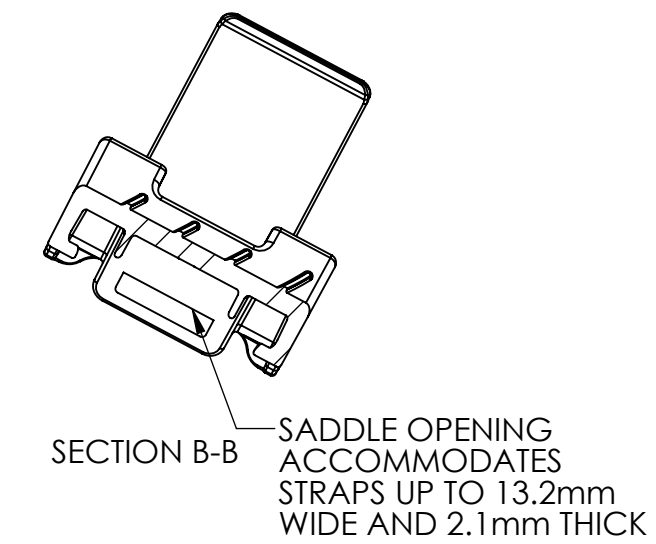
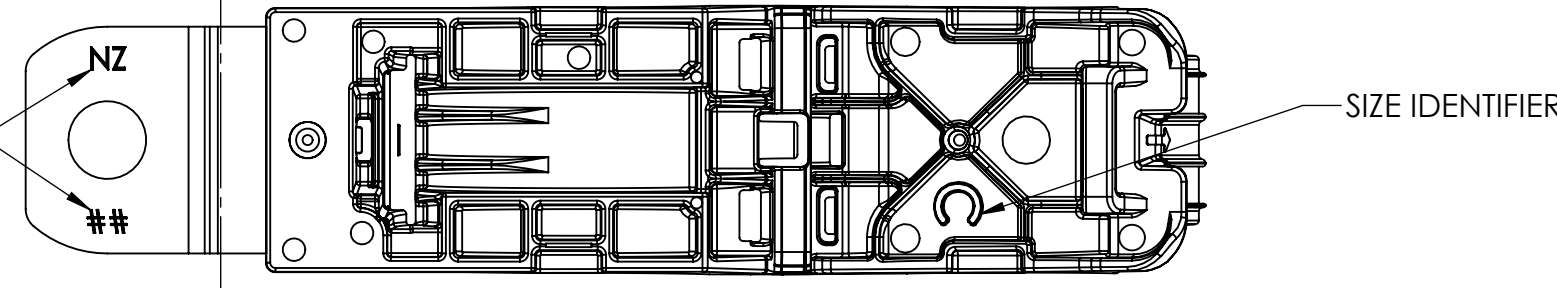
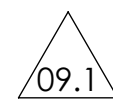
- ITS-0003 RATCHET CLAMP SOLID MANDREL TEST: EXCEEDED 445 NEWTONS (100 LBS) MIN AT A NOMINAL BUNDLE DIAMETER OF 25.40 [1.000] TESTING ONLY REQUIRED OF CONFIGURATION \*RCC180SM10, \*RCC180LM10, AND \*RCC90LM10 \*TESTING CAN BE SUBSTITUTED WITH M6, M8, M12 VERSION MOUNTING HOLES
- ITS-0008 RATCHET CLAMP CLOSE & RELEASE TEST: EXCEEDED 445 NEWTONS (100 LBS) MIN AT A NOMINAL BUNDLE DIAMETER OF 25.40 [1.000] AFTER CLOSING AND RELEASING 40 TIMES
- ITS-0014 RATCHET CLAMP LOW TEMP HINGE TEST: NO DAMAGE OCCURED AFTER BENDING LIVING HINGE 40 TIMES AT -40°C



**PERFORMANCE REQUIREMENTS:**  
DRY AS MOLDED WITH ≤ 0.5% MOISTURE CONTENT:


- ITS-0001 RATCHET CLAMP SPLIT MANDREL TEST: 445 NEWTONS (100 LBS) MIN AT A NOMINAL BUNDLE DIAMETER OF 25.40 [1.000]
- MAXIMUM PERCENT REGRIND PERMISSABLE: 25%
- MAXIMUM ALLOWABLE FLASH OR MISMATCH TO BE: 0.25mm

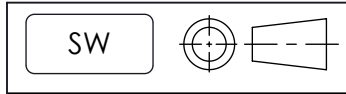
SEE CHART FOR ## ENGRAVING ENGRAVING ON BOTH SIDES



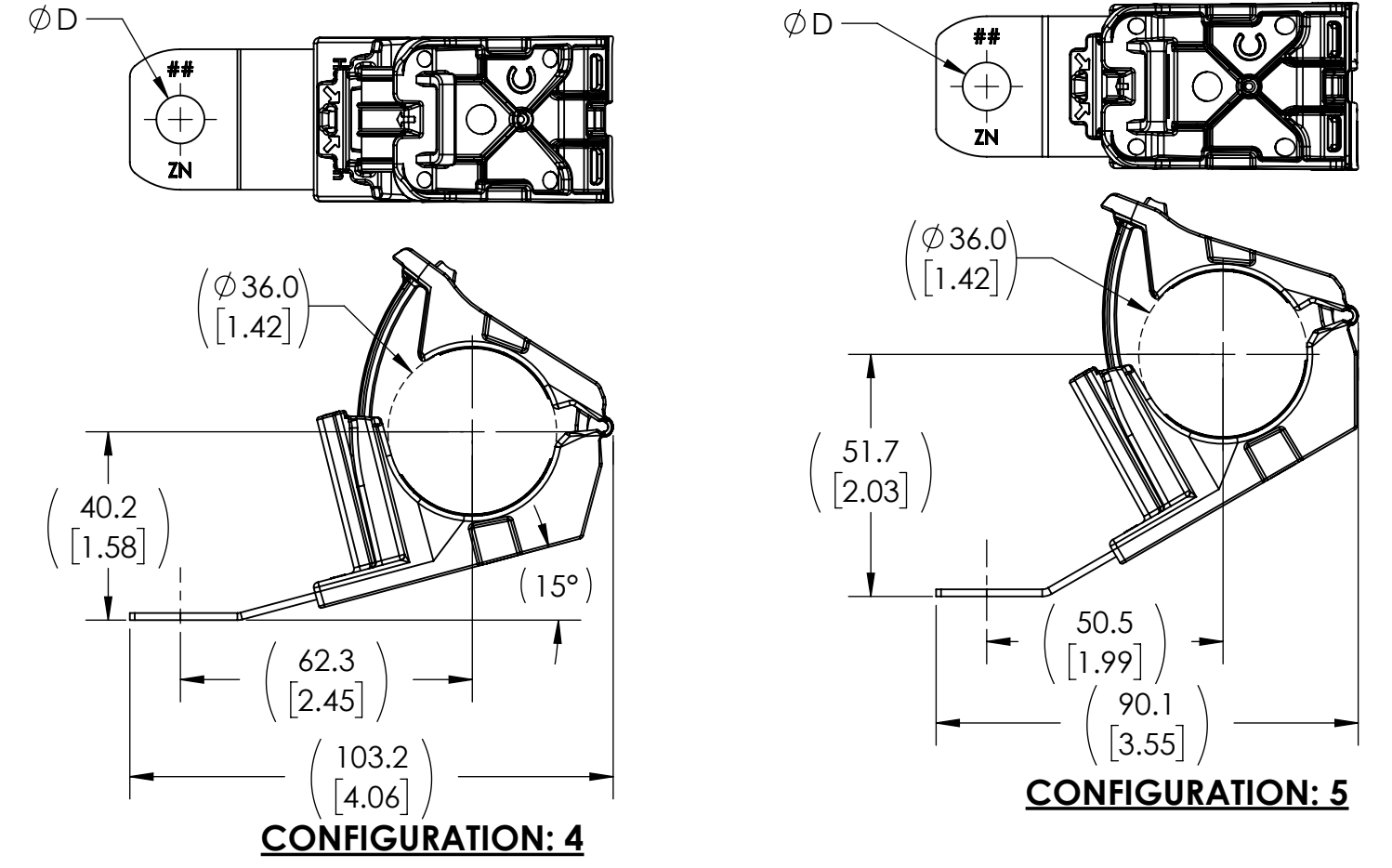
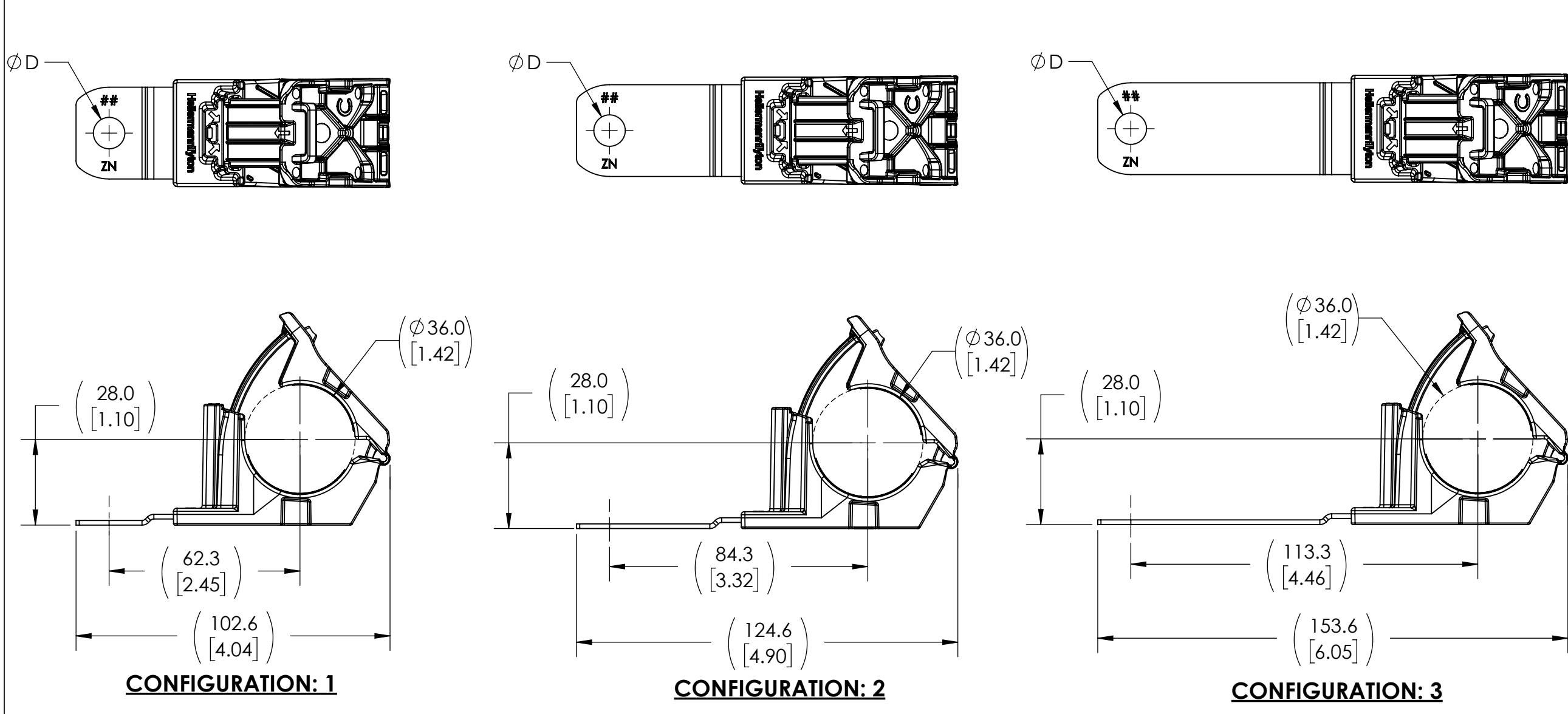
NOTE: TESTING #2, #3 AND #4 CAN BE DONE ON ANY TYPE NUMBER AND WILL APPLY TO ALL OTHER TYPE NUMBERS IN THE TABLE ON SHEET 2

BUNDLE TYPES	A MINIMUM DIAMETER	B MAXIMUM DIAMETER
SOFT	19.4 [.76]	36.0 [1.42]
HARD	18.6 [.73]	35.2 [1.39]

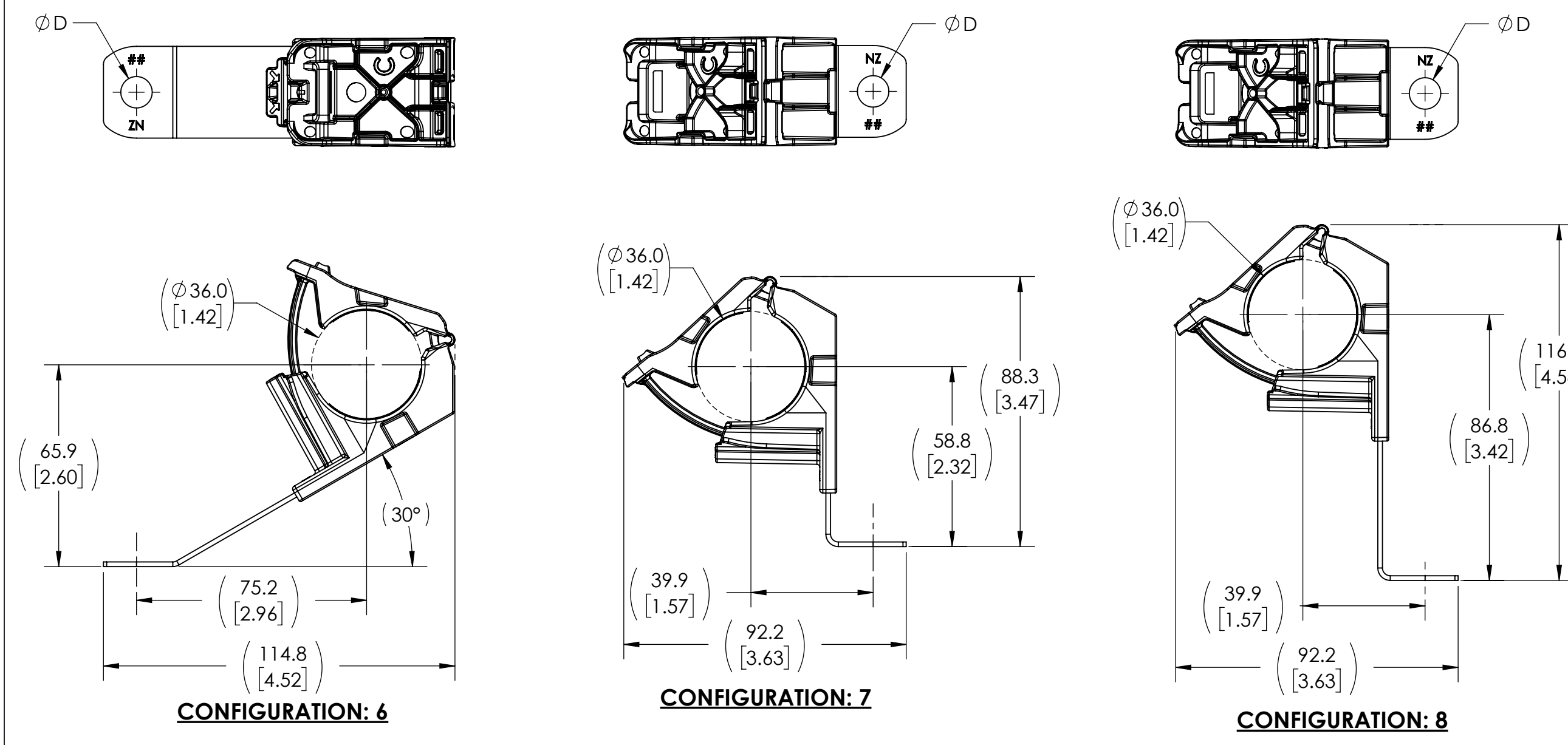
Notes	Material 1. PA66HIRHSUV 2. ZINC PLATED STEEL	Units: millimeters Dimension without tolerances details to: .xxx = ±.013 .xx = ±.13 .x = ±.3 None = ±.8 < = ±0.5*	The copyright of this drawing is reserved by HellermannTyton. It is issued on condition that it is not reproduced, copied, or disclosed to a third party, either wholly or in part, without the consent of HellermannTyton.	Drawn	KEP	04/13/2015	Article/Type-No SEE CHART SHEET 2	Scale 1:1	
				Approved	MHT	8/21/2015			Title RCC RATCHET P CLAMP, SIZE C, CLAMP RANGE 19.4 TO 36.0
				 North America Email: corp@htamericas.com Web: www.hellermann.tyton.com			Drawing-No <b>15-0341-103-CSU</b>	Production : Phase	Format C
								Sheet 1/2	



Revision level			Revision Record	Changed	Date	Approved	Date
Drawing	State	Part					
09.1	Design Release	-	SEE ECN# 016631	RLV	8/11/2021	MHT	8/11/2021



**ALL VIEWS IN MAXIMUM BUNDLE DIAMETER  
 PRODUCT SHIPPED IN CLAMP OPEN POSITION**



CONFIGURATION	DESCRIPTION	D ±0.13	TYPE	## ENGRAVING	C - OVERALL OPEN LENGTH REFERENCE (SEE SHEET 1)
1	180° SHORT	6.50 [0.256]	RCC180SM6	6	156.1 [6.15]
		8.31 [0.327]	RCC180SM8	8	
		10.29 [0.405]	RCC180SM10	10	
		12.95 [0.510]	RCC180SM12	12	
2	180° MEDIUM	6.50 [0.256]	RCC180MM6	6	178.1 [7.01]
		8.31 [0.327]	RCC180MM8	8	
		10.29 [0.405]	RCC180MM10	10	
3	180° LONG	6.50 [0.256]	RCC180LM6	6	207.1 [8.15]
		8.31 [0.327]	RCC180LM8	8	
		10.29 [0.405]	RCC180LM10	10	
4	15° SHORT	6.50 [0.256]	RCC15SM6	6	164.0 [6.46]
		8.31 [0.327]	RCC15SM8	8	
		10.29 [0.405]	RCC15SM10	10	
		12.95 [0.510]	RCC15SM12	12	
5	30° SHORT	6.50 [0.256]	RCC30SM6	6	161.9 [6.37]
		8.31 [0.327]	RCC30SM8	8	
		10.29 [0.405]	RCC30SM10	10	
6	30° LONG	6.50 [0.256]	RCC30LM6	6	190.4 [7.50]
		8.31 [0.327]	RCC30LM8	8	
		10.29 [0.405]	RCC30LM10	10	
		12.95 [0.510]	RCC30LM12	12	
7	90° SHORT	6.50 [0.256]	RCC90SM6	6	141.8 [5.58]
		8.31 [0.327]	RCC90SM8	8	
		10.29 [0.405]	RCC90SM10	10	
8	90° LONG	6.50 [0.256]	RCC90LM6	6	169.8 [6.69]
		8.31 [0.327]	RCC90LM8	8	
		10.29 [0.405]	RCC90LM10	10	
		12.95 [0.510]	RCC90LM12	12	

Notes	Material 1. PA66HIRHSUV 2. ZINC PLATED STEEL	Units: millimeters Dimension without tolerances details to: .xxx = ±.013 .xx = ±.13 .x = ±.3 None = ±.8 < = ±0.5*	The copyright of this drawing is reserved by HellermannTyton. It is issued on condition that it is not reproduced, copied, or disclosed to a third party, either wholly or in part, without the consent of HellermannTyton.	Drawn	KEP	04/13/2015	Article/Type-No	SEE CHART SHEET 2	Scale	2:3
				Approved	MHT	8/21/2015	Title	RCC RATCHET P CLAMP, SIZE C, CLAMP RANGE 19.4 TO 36.0	Project Number	PRP15-0341
				HellermannTyton North America Email: corp@htamericas.com Web: www.hellermann.tyton.com		Drawing-No	15-0341-103-CSU	Production : Phase	Format	C