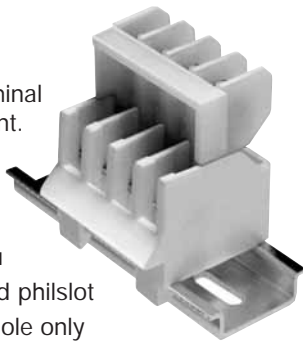


# Rail Mount Disconnect Terminal Blocks

## 15188 Series

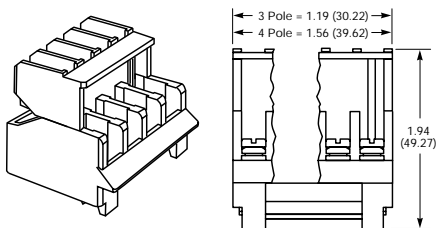
**Specifications**  
 Description: Disconnect terminal blocks for 35mm DIN rail mount.  
 Rating: 30A, 600V\*  
 Center Spacing: 0.375" (9.52mm)  
 Wire Range: #12-16 AGW Cu  
 Screw Size: #6-32 zinc-plated philslot  
 Number of Poles: 3- and 4-pole only  
 Mounting: 35mm DIN Rail  
 Optional End Stop NDNAS  
 Jumpers: 2- through 4-pole available  
 Materials: Molded Base: UL rated 94V-2 thermoplastic. Tin plated copper alloy contacts.  
 Torque Rating: 12 lb-in  
 Operating Temperature: 105°C  
 Agency Information: UL File E62622, CSA File 47235.  
 \* 30A rating achieved with #10AWG wire crimped to ring terminal; 25A without.



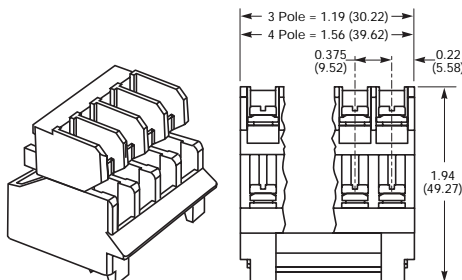
### Catalog Number Build-A-Code

Series	Poles	Wiring	Options
15188	- <input type="checkbox"/>	<input type="checkbox"/>	<input type="checkbox"/>
	3 to 4	Blank = In-line R = Reverse	S = Locking Snap

### Dimensions - in (mm) In-Line Wiring Direction



### Reverse Wiring Direction



## 15288 Series

**Specifications**  
 Description: Disconnect terminal blocks for 35mm DIN rail mount.  
 Rating: 65A, 600V\*  
 Center Spacing: 0.54" (13.7mm)  
 Wire Range: #6-16 AWG  
 Screw Size: #8-32 zinc-plated philslot  
 Number of Poles: 3-pole only  
 Mounting: 35mm DIN Rail  
 Optional Accessories: Optional End Stop NDNAS (order optional accessories separately)  
 Materials: Molded Base: UL rated 94V2 thermoplastic. Tin-plated copper alloy contacts.  
 Torque Rating: 20 lb-in (30 lb-in for 8AWG bare wire)  
 Operating Temperature: 105°C (221°F)  
 Agency Information: UL File E62622  
 \*CSA rating achieved with #6 AWG wire crimped to ring terminal 50A without.

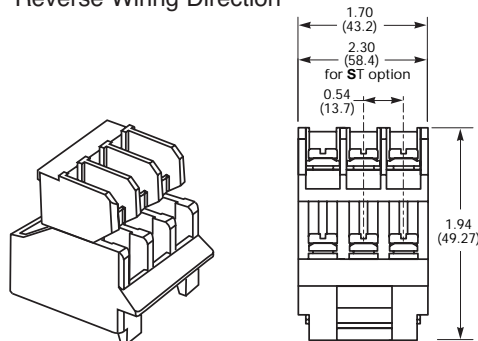


### Catalog Number Build-A-Code

Series	Poles	Wiring	Options**
15288	- <input type="checkbox"/>	<input type="checkbox"/>	<input type="checkbox"/> <input type="checkbox"/> <input type="checkbox"/> <input type="checkbox"/>
	3	Blank = In-line R = Reverse	S = Snap ST = Screw Together SS = Solid DIN Rail Snap

\*\*Options can be combined, e.g. STSS

### Dimensions - in (mm) Reverse Wiring Direction



### In-Line Wiring Direction

