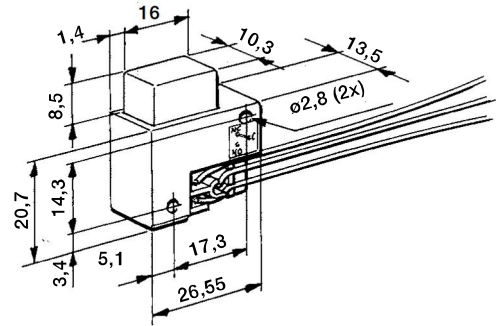


Three-position devices for different types of assembly

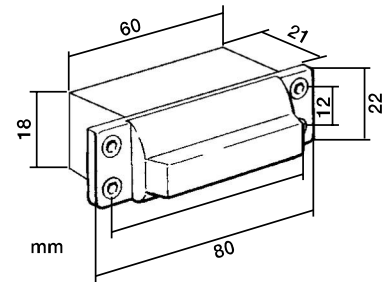
Three-position push button JSHD2C

The button is the main component in a safe three-position solution. To achieve the highest safety level two buttons are used in a two-channel system.



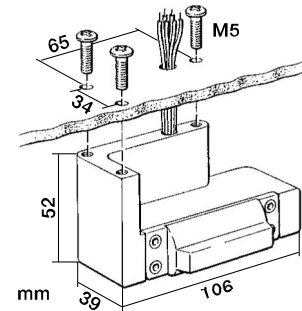
Panel assembly JSHD4H2

A panel assembly suitable for building into programming units or similar control boxes. Provides simultaneous activation of both of the three-position buttons.



External assembly JSHD4H2A

The external assembly is similar to the panel assembly unit, although it is a 'handle' design making it suitable for assembly on the outside of a control box.



Standard versions

Article number	Model
2TLA020002R0200	JSHD4H2A Three-position device for external panel assembly
2TLA020002R3100	JSHD4H2 Three-position device for internal panel assembly
2TLA020001R1000	JSHD2C type E Three-position button
2TLA020001R1300	JSHD2C type K Three-position button

Complete JSHD4 with standard options are available to order separately