
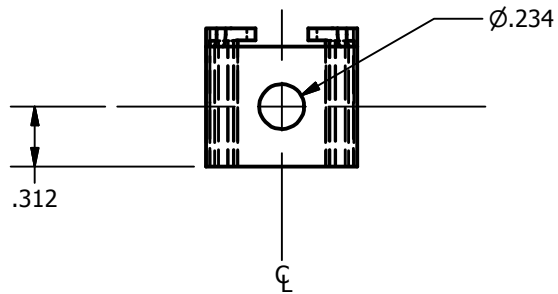
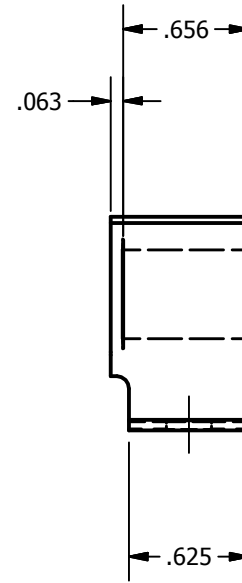
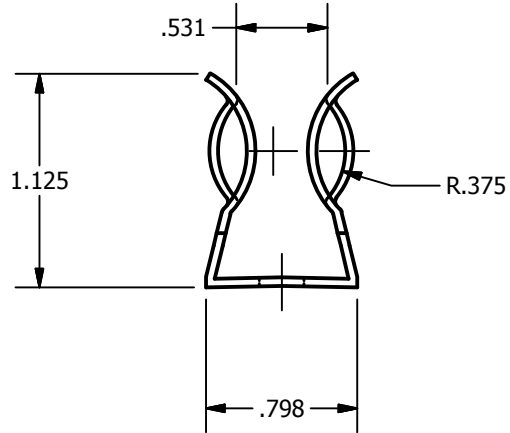


SCREW: NONE	MATERIAL: COPPER	REV: I	 800-776-9775 www.ilsco.com
CAT. NO.: C-11	PLATING: SEE TABLE	DRAWN BY: NN SCALE:1:1	
INFORMATION SHEET: NONE	MARKING: SEE CHART	DATE:8/20/2007 SIZE: A	
			DWG. NO. C0011
			SHEET: 1 OF 1

DEV	MARKING	PLATING
C00B	ILSCO, C11, 31-60A, 250V	BRIGHT DIP
C00T	ILSCO, C11, 31-60A, 250V	EL-TIN
C32B	NONE	BRIGHT DIP



SCALE 1 : 1