

Product data sheet

Specifications



Modicon Quantum - high-speed counter module - 8 I - 100000 Hz

140EHC10500

⚠ Discontinued on: Dec 31, 2022

⚠ To be end-of-service on: Dec 31, 2030

⚠ Discontinued - Service only

Product availability: Non-Stock - Not normally stocked in distribution facility

Main

Range of Product	Modicon Quantum automation platform
Product or Component Type	High-speed counter module
Number of channels	5

Complementary

Number of inputs	8
Addressing requirement	12 output words 12 input words
Data format	2147483647 dec 32 bits 65535 dec 16 bits
Counting input voltage	30 V DC max
Counting input current	7 mA
Counting input type	Discrete incremental counter
Counting frequency	100000 Hz
Duty cycle	1/1 counter input
Discrete input current	5 mA
Operating threshold	15...30 V single ended mode 24 V REF DC at state on 3...5 V single ended mode 24 V REF DC at state off
Discrete output number	8
Discrete output type	Field Effect Transistor (FET)
Discrete output voltage	0 V switch off DC 20...30 V switch on DC
Load current	0.21 A
Maximum leakage current	0.1 mA state off
Maximum voltage drop	<1.25 V state on
Isolation between channels and bus	500 Vrms 60 s
Fault type	Loss of output field power
Output short-circuit protection	Internal
Power dissipation	>= 6 W
Bus current requirement	250 mA
External power requirement	19.2...30 V

Price is "List Price" and may be subject to a trade discount – check with your local distributor or retailer for actual price.

Rack type	Local Distributed Remote
Local signalling	5 LEDs for channel status
Marking	CE
Current consumption	<= 1140 mA 24 V DC external power supply
Module format	Standard

Environment

Resistance to electrostatic discharge	4 kV contact IEC 801-2 8 kV on air IEC 801-2
Resistance to electromagnetic fields	9.1 V/m (10 V/m) 80...1000 MHz IEC 801-3
Ambient Air Temperature for Operation	32...140 °F (0...60 °C)
Ambient Air Temperature for Storage	-40...185 °F (-40...85 °C)
Relative Humidity	95 % without condensation
Operating altitude	<= 16404.2 ft (5000 m)
Standards	UL 508
Product Certifications	RINA UL GOST LR CSA Class 1 Division 2 RRS ABS GL DNV C-tick

Ordering and shipping details

Category	US1PC2118155
Discount Schedule	PC21
GTIN	3595861000124
Returnability	Yes

Packing Units

Unit Type of Package 1	PCE
Nbr. of units in pkg.	1
Package 1 Height	1.81 in (4.6 cm)
Package 1 Width	6.30 in (16.0 cm)
Package 1 Length	12.20 in (31.0 cm)
Package weight(Lbs)	18.3 oz (520.0 g)

Contractual warranty

Warranty	18 months
-----------------	-----------

Environmental Data

Schneider Electric aims to achieve Net Zero status by 2050 through supply chain partnerships, lower impact materials, and circularity via our ongoing "Use Better, Use Longer, Use Again" campaign to extend product lifetimes and recyclability.

[Environmental Data explained >](#)

[How we assess product sustainability >](#)

Use Better

Materials and Substances

[EU RoHS Directive](#)

Pro-active compliance (Product out of EU RoHS legal scope)

California proposition 65

WARNING: This product can expose you to chemicals including: Lead and lead compounds, which is known to the State of California to cause cancer and birth defects or other reproductive harm. For more information go to www.P65Warnings.ca.gov

Use Again

Repack and remanufacture

WEEE

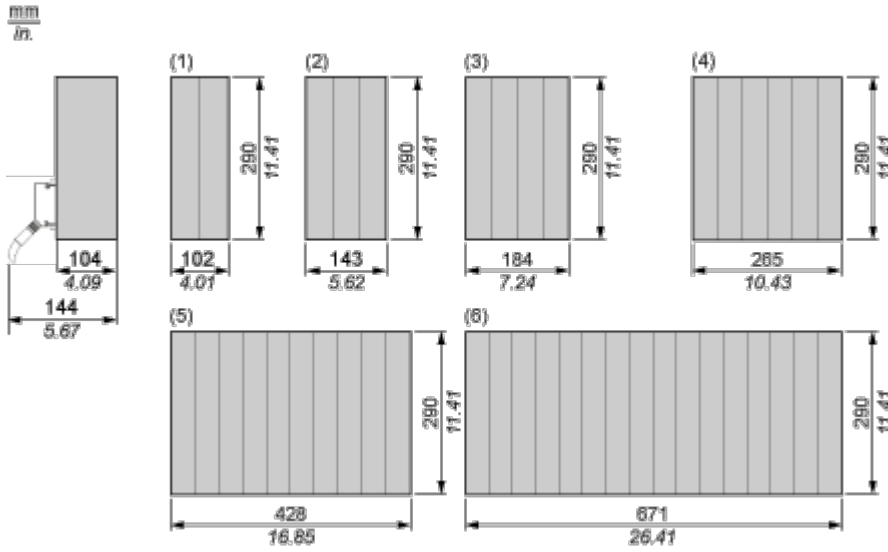


The product must be disposed on European Union markets following specific waste collection and never end up in rubbish bins.

Dimensions Drawings

Racks for Modules Mounting

Dimensions of Modules and Racks

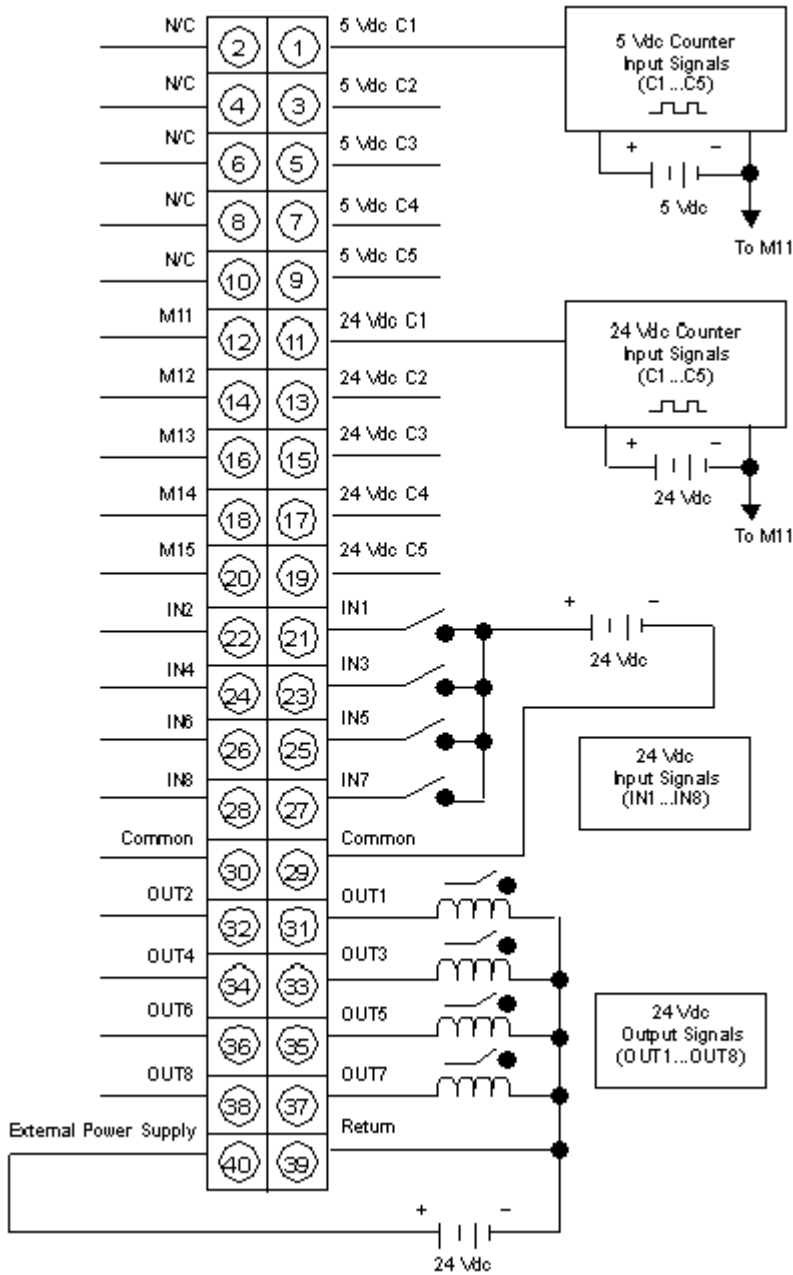


- (1) 2 slots
- (2) 3 slots
- (3) 4 slots
- (4) 6 slots
- (5) 10 slots
- (6) 16 slots

Connections and Schema

Five-Channel Discrete High Speed Counter

Wiring Diagram



N/C Not Connected

Terminals 29 and 30 are jumpered together.