

Modicon TM4

Expansion Modules

Hardware Guide

EIO0000003155.01
01/2022



Legal Information

The Schneider Electric brand and any trademarks of Schneider Electric SE and its subsidiaries referred to in this guide are the property of Schneider Electric SE or its subsidiaries. All other brands may be trademarks of their respective owners.

This guide and its content are protected under applicable copyright laws and furnished for informational use only. No part of this guide may be reproduced or transmitted in any form or by any means (electronic, mechanical, photocopying, recording, or otherwise), for any purpose, without the prior written permission of Schneider Electric.

Schneider Electric does not grant any right or license for commercial use of the guide or its content, except for a non-exclusive and personal license to consult it on an "as is" basis. Schneider Electric products and equipment should be installed, operated, serviced, and maintained only by qualified personnel.

As standards, specifications, and designs change from time to time, information contained in this guide may be subject to change without notice.

To the extent permitted by applicable law, no responsibility or liability is assumed by Schneider Electric and its subsidiaries for any errors or omissions in the informational content of this material or consequences arising out of or resulting from the use of the information contained herein.

As part of a group of responsible, inclusive companies, we are updating our communications that contain non-inclusive terminology. Until we complete this process, however, our content may still contain standardized industry terms that may be deemed inappropriate by our customers.

© 2022 – Schneider Electric. All rights reserved.

Table of Contents

Safety Information	5
QUALIFICATION OF PERSONNEL	5
INTENDED USE	6
About the Book	7
TM4 General Overview	11
TM4 Description	12
General Description	12
TM4 Expansion Modules Compatibility	12
TM4 Installation	15
TM4 General Rules for Implementing	15
Environmental Characteristics	15
Certifications and Standards	17
TM4 Expansion Module Installation	17
Installation and Maintenance Requirements	17
Installation Guidelines	19
Top Hat Section Rail (DIN rail)	20
Assembling a Module to a Controller	22
Disassembling a Module from a Controller	23
Direct Mounting on a Panel Surface	24
TM4 Electrical Requirements	24
Wiring Best Practices	24
TM4 Expansion Modules	27
TM4ES4 Ethernet Module	28
TM4ES4 Presentation	28
TM4ES4 Characteristics	30
TM4ES4 Wiring Diagram	32
TM4PDPS1 PROFIBUS DP Slave Module	34
TM4PDPS1 Presentation	34
TM4PDPS1 Characteristics	36
TM4PDPS1 Wiring Diagram	37
Glossary	41
Index	43

Safety Information

Important Information

Read these instructions carefully, and look at the equipment to become familiar with the device before trying to install, operate, service, or maintain it. The following special messages may appear throughout this documentation or on the equipment to warn of potential hazards or to call attention to information that clarifies or simplifies a procedure.



The addition of this symbol to a “Danger” or “Warning” safety label indicates that an electrical hazard exists which will result in personal injury if the instructions are not followed.



This is the safety alert symbol. It is used to alert you to potential personal injury hazards. Obey all safety messages that follow this symbol to avoid possible injury or death.

⚠ DANGER
DANGER indicates a hazardous situation which, if not avoided, will result in death or serious injury.
⚠ WARNING
WARNING indicates a hazardous situation which, if not avoided, could result in death or serious injury.
⚠ CAUTION
CAUTION indicates a hazardous situation which, if not avoided, could result in minor or moderate injury.
NOTICE
NOTICE is used to address practices not related to physical injury.

Please Note

Electrical equipment should be installed, operated, serviced, and maintained only by qualified personnel. No responsibility is assumed by Schneider Electric for any consequences arising out of the use of this material.

A qualified person is one who has skills and knowledge related to the construction and operation of electrical equipment and its installation, and has received safety training to recognize and avoid the hazards involved.

QUALIFICATION OF PERSONNEL

Only appropriately trained persons who are familiar with and understand the contents of this manual and all other pertinent product documentation are authorized to work on and with this product.

The qualified person must be able to detect possible hazards that may arise from parameterization, modifying parameter values and generally from mechanical, electrical, or electronic equipment. The qualified person must be familiar with the standards, provisions, and regulations for the prevention of industrial accidents, which they must observe when designing and implementing the system.

INTENDED USE

The products described or affected by this document, together with software, accessories, and options, are expansion modules, intended for industrial use according to the instructions, directions, examples, and safety information contained in the present document and other supporting documentation.

The product may only be used in compliance with all applicable safety regulations and directives, the specified requirements, and the technical data.

Prior to using the product, you must perform a risk assessment in view of the planned application. Based on the results, the appropriate safety-related measures must be implemented.

Since the product is used as a component in an overall machine or process, you must ensure the safety of persons by means of the design of this overall system.

Operate the product only with the specified cables and accessories. Use only genuine accessories and spare parts.

Any use other than the use explicitly permitted is prohibited and can result in unanticipated hazards.

About the Book

Document Scope

This guide describes the hardware implementation of TM4 expansion modules. It provides the parts description, characteristics, wiring diagrams, and installation details for TM4 expansion modules.

Validity Note

This document has been updated for the release of EcoStruxure™ Machine Expert V2.0.2.

The technical characteristics of the devices described in the present document also appear online. To access the information online, go to the Schneider Electric home page www.se.com/ww/en/download/.

The characteristics that are described in the present document should be the same as those characteristics that appear online. In line with our policy of constant improvement, we may revise content over time to improve clarity and accuracy. If you see a difference between the document and online information, use the online information as your reference.

Related Documents

Title of Documentation	Reference Number
Modicon TM4 Expansion Modules Configuration - Programming Guide	EIO0000003149 (ENG)
	EIO0000003150 (FRA)
	EIO0000003151 (GER)
	EIO0000003152 (SPA)
	EIO0000003153 (ITA)
	EIO0000003154 (CHS)
Modicon M241 Logic Controller - Hardware Guide	EIO0000003083 (ENG)
	EIO0000003084 (FRA)
	EIO0000003085 (GER)
	EIO0000003086 (SPA)
	EIO0000003087 (ITA)
	EIO0000003088 (CHS)
Modicon M251 Logic Controller - Hardware Guide	EIO0000003101 (ENG)
	EIO0000003102 (FRA)
	EIO0000003103 (GER)
	EIO0000003104 (SPA)
	EIO0000003105 (ITA)
	EIO0000003106 (CHS)
TM4 Expansion Modules - Instruction sheet	EAV47886

You can download these technical publications and other technical information from our website at www.se.com/ww/en/download/.

Product Related Information

DANGER

HAZARD OF ELECTRIC SHOCK, EXPLOSION OR ARC FLASH

- Disconnect all power from all equipment including connected devices prior to removing any covers or doors, or installing or removing any accessories, hardware, cables, or wires except under the specific conditions specified in the appropriate hardware guide for this equipment.
- Always use a properly rated voltage sensing device to confirm the power is off where and when indicated.
- Replace and secure all covers, accessories, hardware, cables, and wires and confirm that a proper ground connection exists before applying power to the unit.
- Use only the specified voltage when operating this equipment and any associated products.

Failure to follow these instructions will result in death or serious injury.

DANGER

POTENTIAL FOR EXPLOSION

- Only use this equipment in non-hazardous locations, or in locations that comply with Class I, Division 2, Groups A, B, C and D.
- Do not substitute components which would impair compliance to Class I, Division 2.
- Do not connect or disconnect equipment unless power has been removed or the location is known to be non-hazardous.
- Do not use the USB port(s), if so equipped, unless the location is known to be non-hazardous.

Failure to follow these instructions will result in death or serious injury.

WARNING

LOSS OF CONTROL

- The designer of any control scheme must consider the potential failure modes of control paths and, for certain critical control functions, provide a means to achieve a safe state during and after a path failure. Examples of critical control functions are emergency stop and overtravel stop, power outage and restart.
- Separate or redundant control paths must be provided for critical control functions.
- System control paths may include communication links. Consideration must be given to the implications of unanticipated transmission delays or failures of the link.
- Observe all accident prevention regulations and local safety guidelines.¹
- Each implementation of this equipment must be individually and thoroughly tested for proper operation before being placed into service.

Failure to follow these instructions can result in death, serious injury, or equipment damage.

¹ For additional information, refer to NEMA ICS 1.1 (latest edition), "Safety Guidelines for the Application, Installation, and Maintenance of Solid State Control" and to NEMA ICS 7.1 (latest edition), "Safety Standards for Construction and Guide for Selection, Installation and Operation of Adjustable-Speed Drive Systems" or their equivalent governing your particular location.

▲ WARNING
<p>UNINTENDED EQUIPMENT OPERATION</p> <ul style="list-style-type: none"> • Only use software approved by Schneider Electric for use with this equipment. • Update your application program every time you change the physical hardware configuration. <p>Failure to follow these instructions can result in death, serious injury, or equipment damage.</p>

Terminology Derived from Standards

The technical terms, terminology, symbols and the corresponding descriptions in this manual, or that appear in or on the products themselves, are generally derived from the terms or definitions of international standards.

In the area of functional safety systems, drives and general automation, this may include, but is not limited to, terms such as *safety, safety function, safe state, fault, fault reset, malfunction, failure, error, error message, dangerous*, etc.

Among others, these standards include:

Standard	Description
IEC 61131-2:2007	Programmable controllers, part 2: Equipment requirements and tests.
ISO 13849-1:2015	Safety of machinery: Safety related parts of control systems. General principles for design.
EN 61496-1:2013	Safety of machinery: Electro-sensitive protective equipment. Part 1: General requirements and tests.
ISO 12100:2010	Safety of machinery - General principles for design - Risk assessment and risk reduction
EN 60204-1:2006	Safety of machinery - Electrical equipment of machines - Part 1: General requirements
ISO 14119:2013	Safety of machinery - Interlocking devices associated with guards - Principles for design and selection
ISO 13850:2015	Safety of machinery - Emergency stop - Principles for design
IEC 62061:2015	Safety of machinery - Functional safety of safety-related electrical, electronic, and electronic programmable control systems
IEC 61508-1:2010	Functional safety of electrical/electronic/programmable electronic safety-related systems: General requirements.
IEC 61508-2:2010	Functional safety of electrical/electronic/programmable electronic safety-related systems: Requirements for electrical/electronic/programmable electronic safety-related systems.
IEC 61508-3:2010	Functional safety of electrical/electronic/programmable electronic safety-related systems: Software requirements.
IEC 61784-3:2016	Industrial communication networks - Profiles - Part 3: Functional safety fieldbuses - General rules and profile definitions.
2006/42/EC	Machinery Directive
2014/30/EU	Electromagnetic Compatibility Directive
2014/35/EU	Low Voltage Directive

In addition, terms used in the present document may tangentially be used as they are derived from other standards such as:

Standard	Description
IEC 60034 series	Rotating electrical machines
IEC 61800 series	Adjustable speed electrical power drive systems
IEC 61158 series	Digital data communications for measurement and control – Fieldbus for use in industrial control systems

Finally, the term *zone of operation* may be used in conjunction with the description of specific hazards, and is defined as it is for a *hazard zone* or *danger zone* in the *Machinery Directive (2006/42/EC)* and *ISO 12100:2010*.

NOTE: The aforementioned standards may or may not apply to the specific products cited in the present documentation. For more information concerning the individual standards applicable to the products described herein, see the characteristics tables for those product references.

TM4 General Overview

What's in This Part

TM4 Description	12
TM4 Installation.....	15

TM4 Description

What's in This Chapter

General Description.....	12
TM4 Expansion Modules Compatibility.....	12

General Description

TM4 Expansion Modules

The following table shows the TM4 expansion module features:

Module reference	Type	Terminal type
TM4ES4, page 28	Ethernet communication	4 RJ45 connectors 1 screw for functional ground connection
TM4PDPS1, page 34	PROFIBUS DP slave communication	1 SUB-D 9 pins female connector 1 screw for functional ground connection
NOTE: The TM4ES4 module has two applications: expansion or standalone. For more information, refer to <i>TM4 Compatibility</i> , page 12.		

Accessories

Reference	Description	Use	Quantity
NSYTRAAB35	End brackets	Blocks the logic controller and expansion modules on a DIN rail.	1
TM2XMTGB	Grounding Bar	Connects the cable shield and the module to the functional ground	1
TM200RSRCEMC	Shielding take-up clip	Mounts and connects the ground to the cable shielding.	25 pack

Cables

Use one of the cables to connect a TM4ES4 module to your system:

Reference	Description	Use	Certified
490NTW000••	Standard Ethernet cable	Connection to DTE	EC
490NTW000••U	Shielded twisted pair 2 RJ45 connectors		UL
TCSE-CE3M3M•S4	Rugged Ethernet cable		EC
TCSE-CU3M3M•S4	Shielded twisted pair 2 RJ45 connectors		UL

TM4 Expansion Modules Compatibility

Introduction

This section describes the compatibility of TM4 expansion modules with controllers.

The TM4 bus supports up to 3 expansion modules. You can mix both Profibus DP (TM4PDPS1) and Ethernet (TM4ES4) expansion modules to the limit of 3 expansions.

TM4ES4 Ethernet Module Compatibility

The TM4ES4 module has 2 applications:

- **Expansion:** addition of an Ethernet interface to extend the number of Ethernet ports for a controller,

NOTE: If more than 1 TM4ES4 module is installed on the controller, the one closest to the controller is used as **expansion**.

- **Standalone:** Ethernet switch (only getting its power supply from the controller).

The table shows the TM4ES4 Ethernet module compatibility with controllers:

Controller Reference	Expansion Usage Supported	Standalone Usage Supported	Maximum Number of TM4ES4 Modules
TM241C24R	Yes	Yes	1 expansion + 2 standalone OR 3 standalone
TM241CE24R	Yes	Yes	1 expansion + 2 standalone OR 3 standalone
TM241CEC24R	Yes	Yes	1 expansion + 2 standalone OR 3 standalone
TM241C24T	Yes	Yes	1 expansion + 2 standalone OR 3 standalone
TM241CE24T	Yes	Yes	1 expansion + 2 standalone OR 3 standalone
TM241CEC24T	Yes	Yes	1 expansion + 2 standalone OR 3 standalone
TM241C24U	Yes	Yes	1 expansion + 2 standalone OR 3 standalone
TM241CE24U	Yes	Yes	1 expansion + 2 standalone OR 3 standalone
TM241CEC24U	Yes	Yes	1 expansion + 2 standalone OR 3 standalone
TM241C40R	Yes	Yes	1 expansion + 2 standalone OR 3 standalone

Controller Reference	Expansion Usage Supported	Standalone Usage Supported	Maximum Number of TM4ES4 Modules
TM241CE40R	Yes	Yes	1 expansion + 2 standalone OR 3 standalone
TM241C40T	Yes	Yes	1 expansion + 2 standalone OR 3 standalone
TM241CE40T	Yes	Yes	1 expansion + 2 standalone OR 3 standalone
TM241C40U	Yes	Yes	1 expansion + 2 standalone OR 3 standalone
TM241CE40U	Yes	Yes	1 expansion + 2 standalone OR 3 standalone
TM251MESC	No	Yes	3 standalone
TM251MESE	No	Yes	3 standalone
NOTE: Standalone use does not require configuration in EcoStruxure Machine Expert.			

TM4PDPS1 PROFIBUS DP Expansion Module Compatibility

The TM4PDPS1 module is compatible with M241 and M251 controllers.

One TM4PDPS1 module can be added per controller.

TM4 Installation

What's in This Chapter

TM4 General Rules for Implementing.....	15
TM4 Expansion Module Installation	17
TM4 Electrical Requirements	24

TM4 General Rules for Implementing

Environmental Characteristics

Enclosure Requirements

TM4 expansion module components are designed as Zone B, Class A industrial equipment according to IEC/CISPR Publication 11. If they are used in environments other than those described in these standards, or in environments that do not meet the specifications in this manual the ability to meet electromagnetic compatibility requirements in the presence of conducted and/or radiated interference may be reduced.

All TM4 expansion module components meet European Community (CE) requirements for open equipment as defined by IEC/EN 61131-2. You must install them in an enclosure designed for the specific environmental conditions and to minimize the possibility of unintended contact with hazardous voltages. Use metal enclosures to improve the electromagnetic immunity of your TM4 expansion module components. Use enclosures with a keyed locking mechanism to minimize unauthorized access.

Environmental Characteristics

All the TM4 expansion module components are electrically isolated between the internal electronic circuit and the input/output channels. This equipment meets CE requirements as indicated in the table below. This equipment is intended for use in a Pollution Degree 2 industrial environment.

▲ WARNING
UNINTENDED EQUIPMENT OPERATION
Do not exceed any of the rated values specified in the environmental and electrical characteristics tables.
Failure to follow these instructions can result in death, serious injury, or equipment damage.

The following table shows the general environmental characteristics:

Characteristic	Minimum Specification	Tested Range	
Standard compliance	IEC/EN 61131-2 IEC/EN 61010-2-201	–	
Ambient operating temperature	–	Horizontal installation	–10...55 °C (14...131 °F)
	–	Vertical installation	–10...35 °C (14...95 °F)
Storage temperature	–	–25...70 °C (- 13...158 °F)	
Relative humidity	–	Transport and storage	10...95 % (non-condensing)
		Operation	10...95 % (non-condensing)
Degree of pollution	IEC/EN 60664-1	2	

Characteristic	Minimum Specification	Tested Range	
Degree of protection	IEC/EN 61131-2	IP20	
Corrosion immunity	–	Atmosphere free from corrosive gases	
Operating altitude	–	0...2000 m (0...6560 ft)	
Storage altitude	–	0...3000 m (0...9843 ft)	
Vibration resistance	IEC/EN 61131-2	Panel mounting or mounted on a top hat section rail (DIN rail)	3.5 mm (0.13 in) fixed amplitude from 5...8.4 Hz 9.8 m/s ² (32.15 ft/s ²) (1 g _n) fixed acceleration from 8.4...150 Hz 10 mm (0.39 in) fixed amplitude from 5...8.7 Hz 29.4 m/s ² (96.45 ft/s ²) (3 g _n) fixed acceleration from 8.7...150 Hz
Mechanical shock resistance	–	147 m/s ² or 482.28 ft/s ² (15 g _n) for a duration of 11 ms	
NOTE: The tested ranges may indicate values beyond that of the IEC Standard. However, our internal standards define what is necessary for industrial environments. In all cases, we uphold the minimum specification if indicated.			

Electromagnetic Susceptibility

The TM4 expansion module components meets electromagnetic susceptibility specifications as indicated in the following table:

Characteristic	Minimum Specification	Tested Range		
Electrostatic discharge	IEC/EN 61000-4-2	8 kV (air discharge) 6 kV (contact discharge)		
Radiated electromagnetic field	IEC/EN 61000-4-3	10 V/m (80...1000 MHz) 3 V/m (1.4...2 GHz) 1 V/m (2...2.7 GHz)		
Magnetic field	IEC/EN 61000-4-8	30 A/m 50 Hz, 60 Hz		
Fast transients burst	IEC/EN 61000-4-4	–	CM ¹ and DM ²	
		AC/DC Power lines	1 kV	
		Communication line	1 kV	
Surge immunity	IEC/EN 61000-4-5 IEC/EN 61131-2	–	CM ¹	DM ²
		DC Power lines	1 kV	0.5 kV
		Shielded cable (between shield and ground)	1 kV	–
Induced electromagnetic field	IEC/EN 61000-4-6	10 Vrms (0.15...80 MHz)		
Conducted emission	IEC/EN 55011 (IEC/CISPR Publication 11)	AC power line:		
		<ul style="list-style-type: none"> • 0.15...0.5 MHz: 79 dBμV/m QP / 66 dBμV/m AV • 0.5...300 MHz: 73 dBμV/m QP / 60 dBμV/m AV 		
		AC/DC power line:		
		<ul style="list-style-type: none"> • 10...150 kHz: 120...69 dBμV/m QP • 150...1500 kHz: 79...63 dBμV/m QP • 1.5...30 MHz: 63 dBμV/m QP 		

Characteristic	Minimum Specification	Tested Range
Radiated emission	IEC/EN 55011 (IEC/CISPR Publication 11)	Class A, 10 m distance: <ul style="list-style-type: none"> 30...230 MHz: 40 dBμV/m QP 230...1000 MHz: 47 dBμV/m QP
1 Common Mode 2 Differential Mode NOTE: The tested ranges may indicate values beyond that of the IEC Standard. However, our internal standards define what is necessary for industrial environments. In all cases, we uphold the minimum specification if indicated.		

Certifications and Standards

Introduction

The TM4 expansion modules are designed to conform to the main national and international standards concerning electronic industrial control devices:

- IEC/EN 61131-2
- UL 508

The TM4 expansion modules have obtained the following conformity marks:

- CE
- cULus
- CSA

For product compliance and environmental information (RoHS, REACH, PEP, EOLI, etc.), go to www.se.com/green-premium.

TM4 Expansion Module Installation

Installation and Maintenance Requirements

Before Starting

Read and understand this chapter before beginning the installation of your system.

The use and application of the information contained herein require expertise in the design and programming of automated control systems. Only you, the user, machine builder or integrator, can be aware of all the conditions and factors present during installation and setup, operation, and maintenance of the machine or process, and can therefore determine the automation and associated equipment and the related safeties and interlocks which can be effectively and properly used. When selecting automation and control equipment, and any other related equipment or software, for a particular application, you must also consider any applicable local, regional or national standards and/or regulations.

Pay particular attention in conforming to any safety information, different electrical requirements, and normative standards that would apply to your machine or process in the use of this equipment.

Disconnecting Power

All options and modules should be assembled and installed before installing the control system on a mounting rail, onto a mounting plate or in a panel. Remove the control system from its mounting rail, mounting plate or panel before disassembling the equipment.

⚡⚠ DANGER**HAZARD OF ELECTRIC SHOCK, EXPLOSION OR ARC FLASH**

- Disconnect all power from all equipment including connected devices prior to removing any covers or doors, or installing or removing any accessories, hardware, cables, or wires except under the specific conditions specified in the appropriate hardware guide for this equipment.
- Always use a properly rated voltage sensing device to confirm the power is off where and when indicated.
- Replace and secure all covers, accessories, hardware, cables, and wires and confirm that a proper ground connection exists before applying power to the unit.
- Use only the specified voltage when operating this equipment and any associated products.

Failure to follow these instructions will result in death or serious injury.

Programming Considerations

⚠ WARNING**UNINTENDED EQUIPMENT OPERATION**

- Only use software approved by Schneider Electric for use with this equipment.
- Update your application program every time you change the physical hardware configuration.

Failure to follow these instructions can result in death, serious injury, or equipment damage.

Operating Environment

In addition to the **Environmental Characteristics**, refer to **Product Related Information** in the beginning of the present document for important information regarding installation in hazardous locations for this specific equipment.

⚠ WARNING**UNINTENDED EQUIPMENT OPERATION**

Install and operate this equipment according to the conditions described in the Environmental Characteristics.

Failure to follow these instructions can result in death, serious injury, or equipment damage.

Installation Considerations

⚠ WARNING

UNINTENDED EQUIPMENT OPERATION

- Use appropriate safety interlocks where personnel and/or equipment hazards exist.
- Install and operate this equipment in an enclosure appropriately rated for its intended environment and secured by a keyed or tooling locking mechanism.
- Use the sensor and actuator power supplies only for supplying power to the sensors or actuators connected to the module.
- Power line and output circuits must be wired and fused in compliance with local and national regulatory requirements for the rated current and voltage of the particular equipment.
- Do not use this equipment in safety-critical machine functions unless the equipment is otherwise designated as functional safety equipment and conforming to applicable regulations and standards.
- Do not disassemble, repair, or modify this equipment.
- Do not connect any wiring to reserved, unused connections, or to connections designated as No Connection (N.C.).

Failure to follow these instructions can result in death, serious injury, or equipment damage.

NOTE: JDYX2 or JDYX8 fuse types are UL-recognized and CSA approved.

Installation Guidelines

Introduction

TM4 expansion modules are assembled by connecting them to a logic controller.

The logic controller and their expansion modules can be installed on a top hat section rail (DIN rail).

Mounting Position and Minimum Clearances

The mounting position and minimum clearances of the expansion modules must conform with the rules defined for the appropriate hardware system. Refer to the *Installation chapter* in the *Controller Hardware* documentation for your specific controller.

⚠ WARNING

UNINTENDED EQUIPMENT OPERATION

- Place devices dissipating the most heat at the top of the cabinet and ensure adequate ventilation.
- Avoid placing this equipment next to or above devices that might cause overheating.
- Install the equipment in a location providing the minimum clearances from all adjacent structures and equipment as directed in this document.
- Install all equipment in accordance with the specifications in the related documentation.

Failure to follow these instructions can result in death, serious injury, or equipment damage.

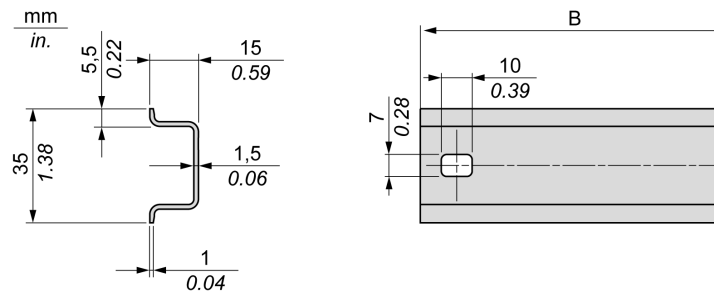
Top Hat Section Rail (DIN rail)

Dimensions of Top Hat Section Rail DIN Rail

You can mount the controller or receiver and their expansions on a 35 mm (1.38 in.) top hat section rail (DIN rail). The DIN rail can be attached to a smooth mounting surface or suspended from a EIA rack or mounted in a NEMA cabinet.

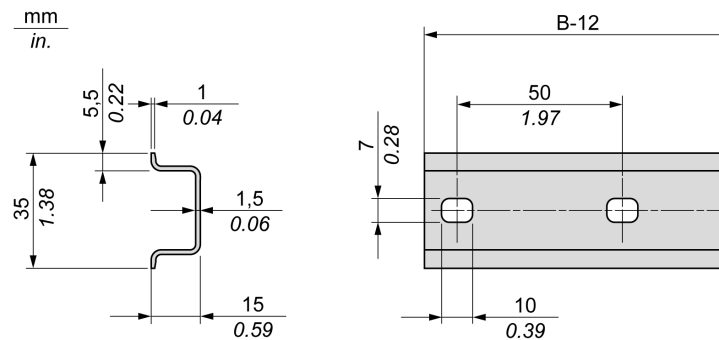
Symmetric Top Hat Section Rails (DIN Rail)

The following illustration and table indicate the references of the top hat section rails (DIN rail) for the wall-mounting range:



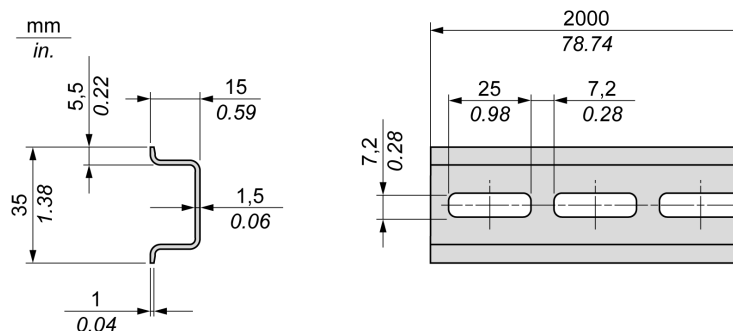
Reference	Type	Rail Length (B)
NSYSDR50A	A	450 mm (17.71 in.)
NSYSDR60A	A	550 mm (21.65 in.)
NSYSDR80A	A	750 mm (29.52 in.)
NSYSDR100A	A	950 mm (37.40 in.)

The following illustration and table indicate the references of the symmetric top hat section rails (DIN rail) for the metal enclosure range:



Reference	Type	Rail Length (B-12 mm)
NSYSDR60	A	588 mm (23.15 in.)
NSYSDR80	A	788 mm (31.02 in.)
NSYSDR100	A	988 mm (38.89 in.)
NSYSDR120	A	1188 mm (46.77 in.)

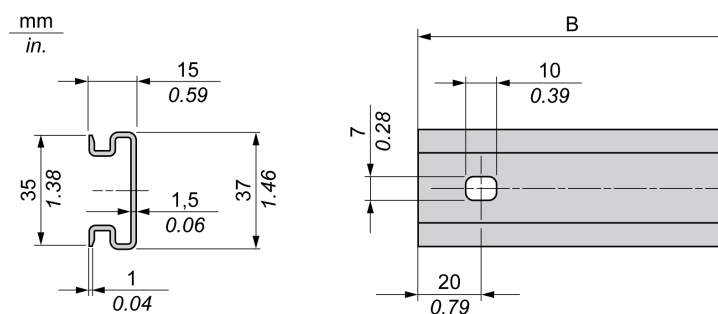
The following illustration and table indicate the references of the symmetric top hat section rails (DIN rail) of 2000 mm (78.74 in.):



Reference	Type	Rail Length
NSYSDR200 ¹	A	2000 mm (78.74 in.)
NSYSDR200D ²	A	
1 Unperforated galvanized steel		
2 Perforated galvanized steel		

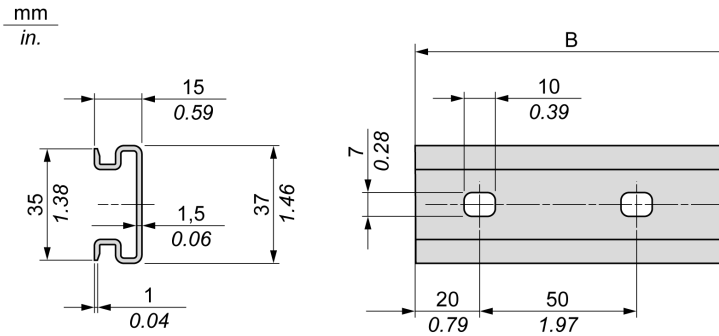
Double-Profile Top Hat Section Rails (DIN rail)

The following illustration and table indicate the references of the double-profile top hat section rails (DIN rails) for the wall-mounting range:



Reference	Type	Rail Length (B)
NSYDPR25	W	250 mm (9.84 in.)
NSYDPR35	W	350 mm (13.77 in.)
NSYDPR45	W	450 mm (17.71 in.)
NSYDPR55	W	550 mm (21.65 in.)
NSYDPR65	W	650 mm (25.60 in.)
NSYDPR75	W	750 mm (29.52 in.)

The following illustration and table indicate the references of the double-profile top hat section rails (DIN rail) for the floor-standing range:



Reference	Type	Rail Length (B)
NSYDPR60	F	588 mm (23.15 in.)
NSYDPR80	F	788 mm (31.02 in.)
NSYDPR100	F	988 mm (38.89 in.)
NSYDPR120	F	1188 mm (46.77 in.)

Assembling a Module to a Controller

Introduction

This section describes how to assemble an expansion module to a controller or other modules.

⚡⚠ DANGER

HAZARD OF ELECTRIC SHOCK, EXPLOSION OR ARC FLASH

- Disconnect all power from all equipment including connected devices prior to removing any covers or doors, or installing or removing any accessories, hardware, cables, or wires except under the specific conditions specified in the appropriate hardware guide for this equipment.
- Always use a properly rated voltage sensing device to confirm the power is off where and when indicated.
- Replace and secure all covers, accessories, hardware, cables, and wires and confirm that a proper ground connection exists before applying power to the unit.
- Use only the specified voltage when operating this equipment and any associated products.

Failure to follow these instructions will result in death or serious injury.

After connecting new modules to the controller, update and reupload your application program before placing the system back in service. If you do not revise your application program to reflect the addition of new modules, I/O located on the expansion bus may no longer operate normally.

⚠ WARNING

UNINTENDED EQUIPMENT OPERATION

- Only use software approved by Schneider Electric for use with this equipment.
- Update your application program every time you change the physical hardware configuration.

Failure to follow these instructions can result in death, serious injury, or equipment damage.

Assembling a Module to a Controller


The following procedure shows how to assemble a controller and a module together.

Step	Action
1	Remove all power and dismount any existing controller I/O assembly from its DIN mounting.
2	Remove the expansion connector sticker from the controller or the outermost installed expansion module.
3	Verify that the locking device on the new module is in the upper position.
4	Align the internal bus connector on the right side of the module with the internal bus connector on the left side of the controller or expansion module.
5	Press the new module towards the controller or expansion module until it is securely in place.
6	Push down the locking device on the top of the new module to lock it to the controller or previously installed expansion module.

Disassembling a Module from a Controller

Introduction

This section describes how to disassemble a module from a controller.


DANGER

HAZARD OF ELECTRIC SHOCK, EXPLOSION OR ARC FLASH

- Disconnect all power from all equipment including connected devices prior to removing any covers or doors, or installing or removing any accessories, hardware, cables, or wires except under the specific conditions specified in the appropriate hardware guide for this equipment.
- Always use a properly rated voltage sensing device to confirm the power is off where and when indicated.
- Replace and secure all covers, accessories, hardware, cables, and wires and confirm that a proper ground connection exists before applying power to the unit.
- Use only the specified voltage when operating this equipment and any associated products.

Failure to follow these instructions will result in death or serious injury.

Disassembling a Module from a Controller

The following procedure describes how to disassemble a module from a controller.

Step	Action
1	Remove all power from the control system.
2	Dismount the assembled controller and modules from the mounting rail.
3	Push up the locking device from the bottom of the module.
4	Push simultaneously the 2 clips, at the top and the bottom of the module to disengage it from the controller.
5	Pull apart module from the controller.

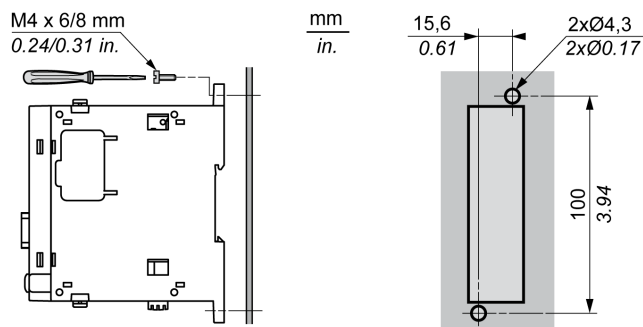
Direct Mounting on a Panel Surface

Overview

This section shows how to install the TM4 expansion module using the Panel Mounting Kit. This section also provides mounting hole layout for all modules.

Mounting Hole Layout

The following diagram shows the mounting holes for the TM4 expansion modules:



TM4 Electrical Requirements

Wiring Best Practices

Overview

This section describes the wiring guidelines and associated best practices to be respected when using the TM4 system.

⚡⚠ DANGER

HAZARD OF ELECTRIC SHOCK, EXPLOSION OR ARC FLASH

- Disconnect all power from all equipment including connected devices prior to removing any covers or doors, or installing or removing any accessories, hardware, cables, or wires except under the specific conditions specified in the appropriate hardware guide for this equipment.
- Always use a properly rated voltage sensing device to confirm the power is off where and when indicated.
- Replace and secure all covers, accessories, hardware, cables, and wires and confirm that a proper ground connection exists before applying power to the unit.
- Use only the specified voltage when operating this equipment and any associated products.

Failure to follow these instructions will result in death or serious injury.

▲ WARNING

LOSS OF CONTROL

- The designer of any control scheme must consider the potential failure modes of control paths and, for certain critical control functions, provide a means to achieve a safe state during and after a path failure. Examples of critical control functions are emergency stop and overtravel stop, power outage and restart.
- Separate or redundant control paths must be provided for critical control functions.
- System control paths may include communication links. Consideration must be given to the implications of unanticipated transmission delays or failures of the link.
- Observe all accident prevention regulations and local safety guidelines.¹
- Each implementation of this equipment must be individually and thoroughly tested for proper operation before being placed into service.

Failure to follow these instructions can result in death, serious injury, or equipment damage.

¹ For additional information, refer to NEMA ICS 1.1 (latest edition), "Safety Guidelines for the Application, Installation, and Maintenance of Solid State Control" and to NEMA ICS 7.1 (latest edition), "Safety Standards for Construction and Guide for Selection, Installation and Operation of Adjustable-Speed Drive Systems" or their equivalent governing your particular location.

Functional Ground (FE) on the DIN Rail

The DIN Rail for your TM4 system is common with the functional ground (FE) plane and must be mounted on a conductive backplane.

▲ WARNING

UNINTENDED EQUIPMENT OPERATION

Connect the DIN rail to the functional ground (FE) of your installation.

Failure to follow these instructions can result in death, serious injury, or equipment damage.

Protective Ground (PE) on the Backplane

The protective ground (PE) is connected to the conductive backplane by a heavyduty wire, usually a braided copper cable with the maximum allowable cable section.

Wiring Guidelines

The following rules must be applied when wiring a TM4 system:

- I/O and communication wiring must be kept separate from the power wiring. Route these 2 types of wiring in separate cable ducting.
- Verify that the operating conditions and environment are within the specification values.
- Use proper wire sizes to meet voltage and current requirements.
- Use copper conductors.
- Use twisted-pair, shielded cables for analog, and/or fast I/O.
- Use twisted-pair, shielded cables for networks, and field bus.

▲ WARNING**UNINTENDED EQUIPMENT OPERATION**

- Use shielded cables for all fast I/O, analog I/O, and communication signals.
- Ground cable shields for all fast I/O, analog I/O, and communication signals at a single point¹.
- Route communications and I/O cables separately from power cables.

Failure to follow these instructions can result in death, serious injury, or equipment damage.

¹Multipoint grounding is permissible if connections are made to an equipotential ground plane dimensioned to help avoid cable shield damage in the event of power system short-circuit currents.

NOTE: Surface temperatures may exceed 60 °C (140 °F).

To conform to IEC 61010 standards, route primary wiring (wires connected to power mains) separately and apart from secondary wiring (extra low voltage wiring coming from intervening power sources). If that is not possible, double insulation is required such as conduit or cable gains.

TM4 Expansion Modules

What's in This Part

TM4ES4 Ethernet Module	28
TM4PDPS1 PROFIBUS DP Slave Module	34

TM4ES4 Ethernet Module

What's in This Chapter

TM4ES4 Presentation.....	28
TM4ES4 Characteristics	30
TM4ES4 Wiring Diagram	32

Overview

This chapter describes the TM4ES4 Ethernet module, its characteristics, and its connection to the different devices.

TM4ES4 Presentation

Overview

The TM4ES4 Ethernet module provides:

- An Ethernet interface to controller without an embedded Ethernet port.
- A second Ethernet port to controller with an embedded Ethernet port.

The module is also an Ethernet switch.

Main Characteristics

This table describes the main characteristics of the TM4ES4 Ethernet communication module:

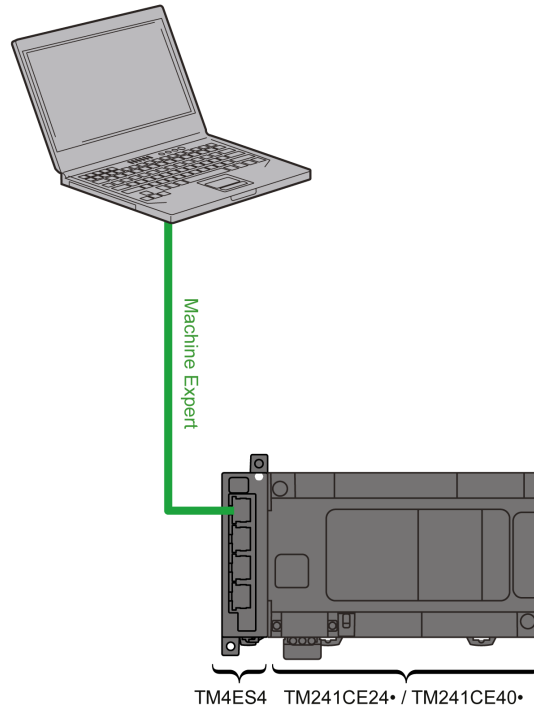
Main Characteristics	Value
Standard	Ethernet
Connector type	4 RJ45 connectors for Ethernet communication
Protocols	Ethernet Modbus TCP Client/Server, Ethernet/IP Adapter, UDP, TCP, SNMP, OPC UA server and EcoStruxure Machine Expert.
Grounding	1 screw for functional ground connection
Transfer rate	100 Mbit/s maximum

This table presents the TM4ES4 Ethernet features provided to controllers:

Controller	Additional Ethernet Interface	Ethernet Switch
TM241C24•	Yes, one Ethernet port to connect to either the control network or the device network	Yes
TM241C40•		
TM241CE24•	Yes, one Ethernet port to connect to the control network. The Ethernet port embedded on the logic controller connects to the device network.	Yes
TM241CEC24•		
TM241CE40•		
TM251MESE	No	Yes
TM251MESC		

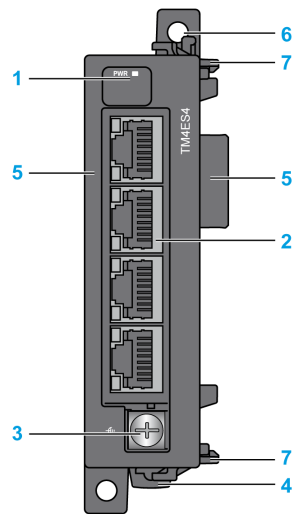
Architecture

The following figure shows an architecture example to connect a controller to an Ethernet network:



Description

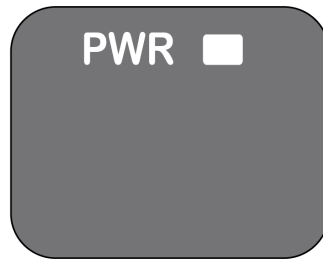
The following figure shows the main elements of the TM4ES4 module:



Label	Elements	Refer to ...
1	LED that displays the power supply status	–
2	4 Ethernet RJ45 connectors	–
3	Screw for functional ground connection	Rules for the Connection to the Functional Ground, page 32
4	Clip-on lock for 35 mm (1.38 in.) top hat section rail (DIN-rail)	Top Hat Section Rail (DIN rail), page 20
5	Connector for TM4 expansion modules (one on each side)	–
6	Locking device for attachment to the previous module	–
7	Clip for attachment to the previous module or the controller	–

Module Status LED

The figure shows the TM4ES4 status LEDs:

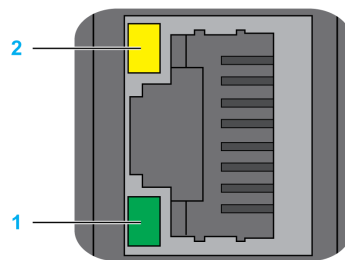


The table shows the description the TM4ES4 status LED:

LED	Color	Status	Description
PWR	Green	On	Indicates that power is applied
		Off	Indicates that power is removed

RJ45 Connector Status LEDs

The figure shows the RJ45 connector status LEDs:



The table describes the RJ45 connector status LED:

Label	Description	LED		
		Color	Status	Description
1	Ethernet activity	Green	Off	No activity
			On	Transmitting or receiving data
2	Ethernet link	Green/ Yellow	Off	No link
			Solid yellow	Link at 10 Mbit/s
			Solid green	Activity at 100 Mbit/s

TM4ES4 Characteristics

Introduction

These are the general characteristics of the TM4ES4 module.

See also Environmental Characteristics, page 15.

▲ WARNING

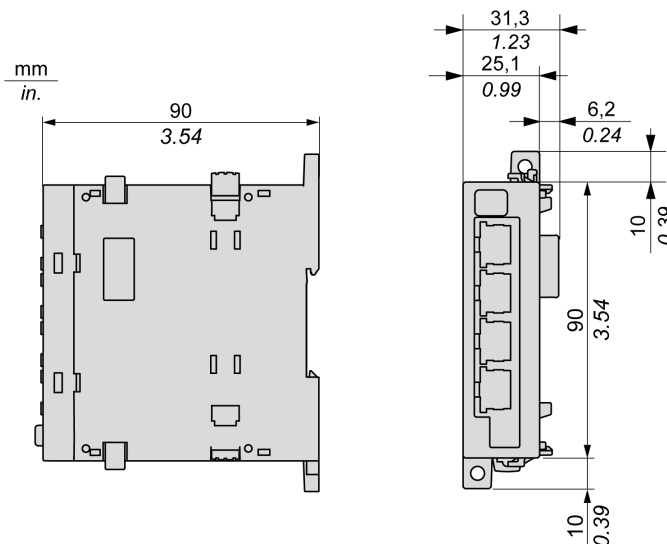
UNINTENDED EQUIPMENT OPERATION

Do not exceed any of the rated values specified in the environmental and electrical characteristics tables.

Failure to follow these instructions can result in death, serious injury, or equipment damage.

Dimensions

The following diagrams show the dimensions of the TM4ES4 module:



General Characteristics

The table describes the general characteristics of the TM4ES4 module:

Characteristic	Value
Consumption	360 mA
Power dissipation	2.5 W
Weight	125 g (4.41 oz)

Characteristics

The table describes the characteristics of the TM4ES4 module:

Characteristic	Description
Standard	Ethernet
Connector type	RJ45
Baud rate	Supports Ethernet "10BaseT" and "100BaseTX" with auto-negotiation
Auto-crossover	MDI / MDIX

NOTE: The controller supports the MDI/MDIX auto-crossover cable function. It is not necessary to use special Ethernet crossover cables to connect devices directly to this port (connections without an Ethernet hub or switch).

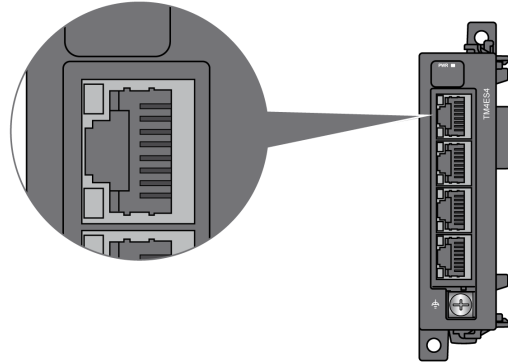
TM4ES4 Wiring Diagram

Wiring Rules

See Wiring Best Practices, page 24.

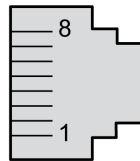
RJ45 Connector

The TM4ES4 module is equipped with 4 Ethernet RJ45 connectors:



Pin Assignment

The figure shows the Ethernet RJ45 connector pins:

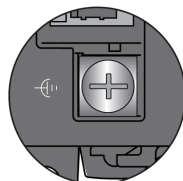




The table describes the Ethernet RJ45 connector pins assignment:

Pin N°	Signal
1	TD+
2	TD-
3	RD+
4	-
5	-
6	RD-
7	-
8	-

Rules for Connection to the Functional Ground

The following table shows the characteristics of the screw to be used with the provided Functional Earth (FE) Cable:



 Phillips Ph2		N•m	0,5
		lb-in	4.4

Applying torque above the limit may damage the terminal screw or threads.

NOTICE

INOPERABLE EQUIPMENT

Do not tighten screw terminals beyond the specified maximum torque (Nm / lb-in.).

Failure to follow these instructions can result in equipment damage.

TM4PDPS1 PROFIBUS DP Slave Module

What's in This Chapter

TM4PDPS1 Presentation 34
 TM4PDPS1 Characteristics..... 36
 TM4PDPS1 Wiring Diagram..... 37

Overview

This chapter describes the TM4PDPS1 module, its characteristics, and its connection to the different devices.

TM4PDPS1 Presentation

Overview

The TM4PDPS1 PROFIBUS DP slave module allows you to connect the controller to a PROFIBUS DP fieldbus.

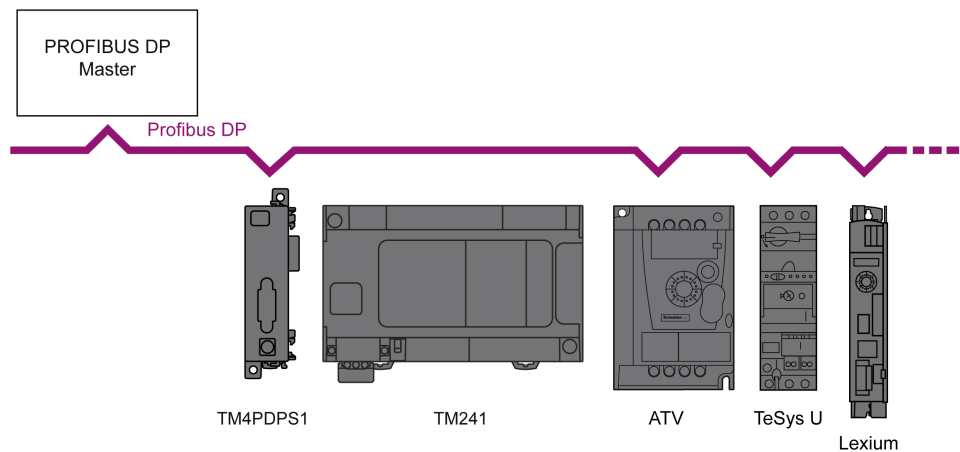
Main Characteristics

The table describes the main characteristics of the TM4PDPS1 PROFIBUS DP slave module:

Main Characteristics	Value
Fieldbus	PROFIBUS DP slave
Interface type	RS-485
Connector type	SUB-D 9, female
Grounding	1 screw for functional ground connection
Transfer rate	12 Mbit/s maximum

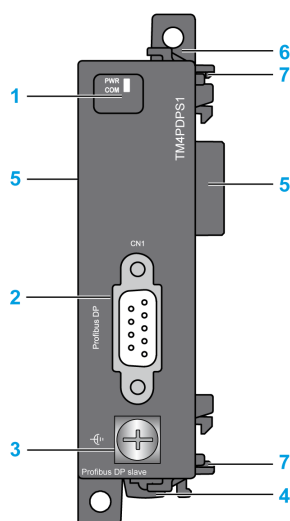
Architecture Example

The following figure shows an architecture example to connect an M241 controller to a PROFIBUS DP fieldbus:



Description

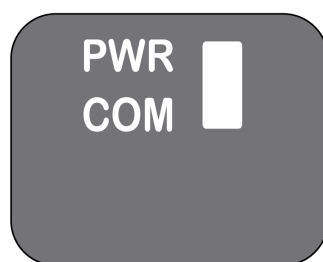
The following figure shows the main elements of the TM4PDPS1 module:



La-bel	Elements	Refer to ...
1	LEDs that display the module status	–
2	1 SUB-D 9, female connector	–
3	Screw for functional ground connection	Rules for Connection to the Functional Ground, page 38
4	Clip-on lock for 35 mm (1.38 in.) top hat section rail (DIN-rail)	Top Hat Section Rail (DIN rail), page 20
5	Connector for TM4 expansion modules (one on each side)	–
6	Locking device for attachment to the previous module	–
7	Clip for attachment to the previous module or the controller	–

Status LEDs

The figure shows the TM4PDPS1 status LEDs:



The table describes the TM4PDPS1 status LEDs:

LEDs	Color	Status	Description
PWR	Green / Yellow	Off	Indicates that power is removed
	Green	On	Indicates that power is applied
	Green / Yellow	Flashing Green / Yellow	Module start in progress
COM	Green	On	The module is in RUN mode, performing cyclic communication
	Red	Cyclic flashing	The module is in STOP mode, no communication is performed, a connection error has been detected
		Acyclic flashing	The module is not configured

TM4PDPS1 Characteristics

Introduction

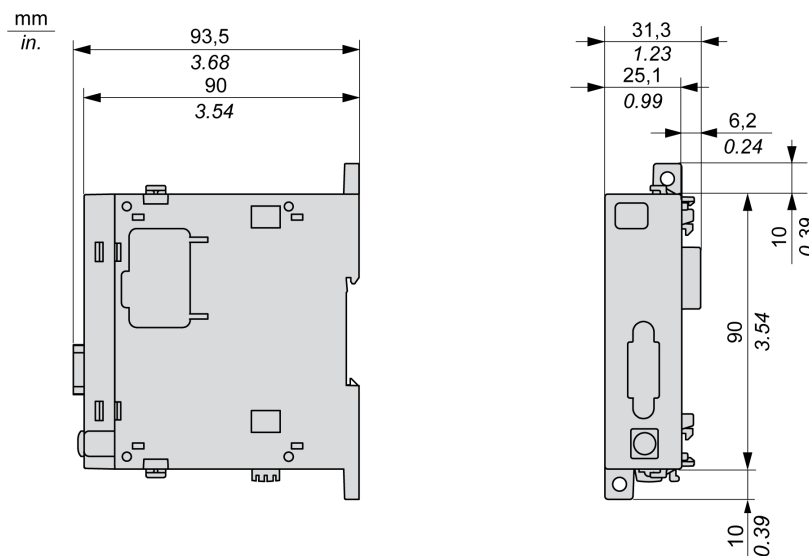
These are the general characteristics for the TM4PDPS1 module.

See also Environmental Characteristics, page 15.

⚠ WARNING
UNINTENDED EQUIPMENT OPERATION
Do not exceed any of the rated values specified in the environmental and electrical characteristics tables.
Failure to follow these instructions can result in death, serious injury, or equipment damage.

Dimensions

The following diagrams show the dimensions of the TM4PDPS1 module:



General Characteristics

The table describes the general characteristics of the TM4PDPS1 module:

Characteristic	Value
Consumption	290 mA
Power dissipation	1.5 W
Weight	100 g (3.52 oz)

PROFIBUS DP Module Characteristics

The table describes the PROFIBUS DP characteristics of the TM4PDPS1 module:

Characteristic	Value	
Type of interface	Free of potential	
PROFIBUS standards	DP-V0, DP-V1	
PROFIBUS baudrate	3...12 Mbit/s	at 100 m cable length
	1.5 Mbit/s	at 200 m cable length
	500 kBit/s	at 400 m cable length
	187.5 kBit/s	at 1000 m cable length
	9.6...93.75 kBit/s	at 1200 m cable length
Physical	EIA-485	
Isolation between PROFIBUS DP and internal electronics	1.0 kV	
Cable requirements	Impedance	135...165 Ohm at 20 MHz
	Capacitance	< 30 pF per meter
	Lead cross section	> 0.34 mm ² , equates to AWG22
	Cable type	Paired 1 x 2 or 2 x 2 or 1 x 4
	Loop resistance	< 110 Ohm at 1 km
	Signal loss	< 9 dB over the whole bus-segment
	Shielding	Copper shielding

NOTE: Do not connect more than 32 stations per segment without a repeater or more than 127 with a repeater.

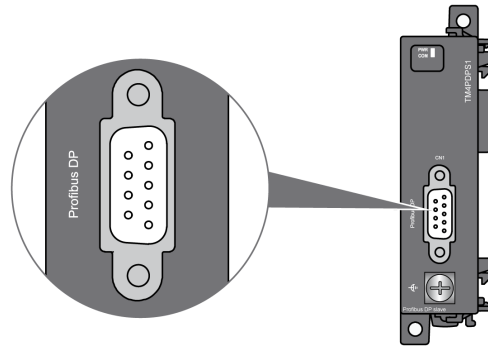
TM4PDPS1 Wiring Diagram

Wiring Rules

See Wiring Best Practices, page 24.

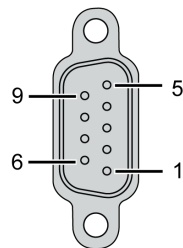
SUB-D 9 Connector

The TM4PDPS1 module is equipped with 1 PROFIBUS DP SUB-D 9 connector:



Pin Assignment

The figure shows the PROFIBUS DP SUB-D 9 connector pins:

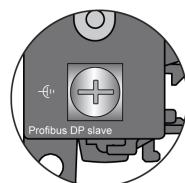




The table describes the PROFIBUS DP SUB-D 9 connector pins assignment:

Pin N°	PROFIBUS DP	Description
1	Reserved	–
2	Reserved	–
3	RxD/TxD-P	Transmit/receive data High
4	CNTR-P	Transmit enable High
5	DGND	Signal Ground
6	VP	Voltage 5 V (100 mA)
7	Reserved	–
8	RxD/TxD-N	Transmit/receive data Low
9	Reserved	–

Rules for Connection to the Functional Ground

The following table shows the characteristics of the screw to be used with the provided Functional Earth (FE) Cable:



 Phillips Ph2		N•m	0,5
		lb-in	4.4

Applying torque above the limit may damage the terminal screw or threads.

NOTICE**INOPERABLE EQUIPMENT**

Do not tighten screw terminals beyond the specified maximum torque (Nm / lb-in.).

Failure to follow these instructions can result in equipment damage.

Glossary

A

application:

A program including configuration data, symbols, and documentation.

C

configuration:

The arrangement and interconnection of hardware components within a system and the hardware and software parameters that determine the operating characteristics of the system.

controller:

Automates industrial processes (also known as programmable logic controller or programmable controller).

E

EIA rack:

(electronic industries alliance rack) A standardized (EIA 310-D, IEC 60297, and DIN 41494 SC48D) system for mounting various electronic modules in a stack or rack that is 19 inches (482.6 mm) wide.

EN:

EN identifies one of many European standards maintained by CEN (*European Committee for Standardization*), CENELEC (*European Committee for Electrotechnical Standardization*), or ETSI (*European Telecommunications Standards Institute*).

Ethernet:

A physical and data link layer technology for LANs, also known as IEEE 802.3.

expansion bus:

An electronic communication bus between expansion I/O modules and a controller or bus coupler.

expansion connector:

A connector to attach expansion I/O modules.

H

HE10:

Rectangular connector for electrical signals with frequencies below 3 MHz, complying with IEC 60807-2.

I

IEC:

(international electrotechnical commission) A non-profit and non-governmental international standards organization that prepares and publishes international standards for electrical, electronic, and related technologies.

I/O:

(input/output)

IP 20:

(ingress protection) The protection classification according to IEC 60529 offered by an enclosure, shown by the letter IP and 2 digits. The first digit indicates 2 factors: helping protect persons and for equipment. The second digit indicates helping protect against water. IP 20 devices help protect against electric contact of objects larger than 12.5 mm, but not against water.

L**LED:**

(light emitting diode) An indicator that illuminates under a low-level electrical charge.

N**NEMA:**

(national electrical manufacturers association) The standard for the performance of various classes of electrical enclosures. The NEMA standards cover corrosion resistance, ability to help protect from rain, submersion, and so on. For IEC member countries, the IEC 60529 standard classifies the ingress protection rating for enclosures.

P**Profibus DP:**

(Profibus decentralized peripheral) An open bus system uses an electrical network based on a shielded 2-wire line or an optical network based on a fiber-optic cable. DP transmission allows for high-speed, cyclic exchange of data between the controller CPU and the distributed I/O devices.

program:

The component of an application that consists of compiled source code capable of being installed in the memory of a logic controller.

R**RJ45:**

A standard type of 8-pin connector for network cables defined for Ethernet.

RS-485:

A standard type of serial communication bus, based on 2 wires (also known as EIA RS-485).

run:

A command that causes the controller to scan the application program, read the physical inputs, and write to the physical outputs according to solution of the logic of the program.

S**STOP:**

A command that causes the controller to stop running an application program.

T**terminal block:**

(terminal block) The component that mounts in an electronic module and provides electrical connections between the controller and the field devices.

Index

A

assembling to a controller 22

C

certifications and standards 17

Characteristics

TM4ES4 31

controllers

disassembling a module 23

D

dimensions

TM4ES4 31

TM4PDPS1 36

E

Electromagnetic Susceptibility 16

environmental characteristics 15

G

General Characteristics

TM4ES4 31

TM4PDPS1 36

I

intended use 6

M

minimum clearances 19

mounting position 19

Q

qualification of personnel 5

S

Status LEDs

TM4ES4 30

TM4PDPS1 35

T

TM4ES4 28

characteristics 30

Wiring Diagram 32

TM4ES4 Ethernet module 28

TM4PDPS1

characteristics 36

presentation 34

Wiring Diagram 37

TM4PDPS1 module 34

W

Wiring Diagram

TM4ES4 32

TM4PDPS1 37

wiring rules 24

Schneider Electric
35 rue Joseph Monier
92500 Rueil Malmaison
France

+ 33 (0) 1 41 29 70 00

www.se.com

As standards, specifications, and design change from time to time,
please ask for confirmation of the information given in this publication.

© 2022 – Schneider Electric. All rights reserved.

EIO0000003155.01