

Product End of Life Instructions

Counter module - encoder emulation channel (A/B) - 4 MHz

Modicon TM5 I/O Expansion Module





Potential disassembly risks

The information provided in this document assumes that the product is completely de-energized and uninstalled (refer to the instructions provided in the appropriate product manuals).

Dismantling/disassembling the product may entail hazards caused by, for example, sharp edges, chemical aggression or ejected parts.

▲ WARNING

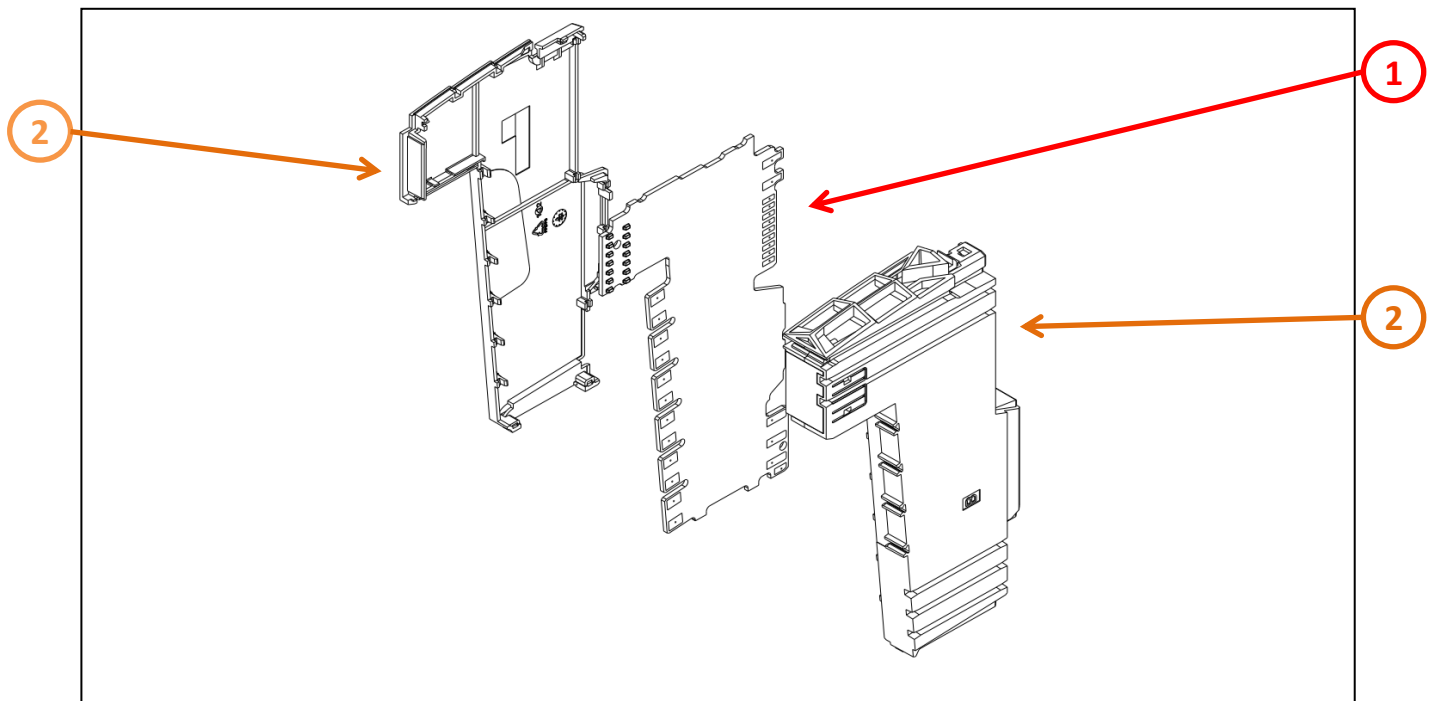
HAZARD DUE TO INSUFFICIENT PROTECTION

- Implement all safety measures required by the applicable regulations and by the processes used to dismantle/disassemble and dispose of the product.
- Use all necessary personal protective equipment such as gloves and goggles.

Failure to follow these instructions can result in death or serious injury.



End of Life Instructions



Recommendation	Number on drawing	Component / Material	Weight (in g)	Comment
To be depolluted	1	Electronic Board (Communication) > 10cm ²	18,8	
To be dismantled	2	PPE + PS	6	

Product description

Manufacturer identification	Schneider Electric Industries SAS
Brand name	Schneider Electric
Product function	<p>This product is used to count pulses generated by a sensor, or to process signals from an incremental encoder, depending on the reference selected.</p> <p>The TM5SE1MISC20005 module provides the following features:</p> <ul style="list-style-type: none"> - 3 digital 5 V channels, configurable as inputs or outputs - 2 digital 24 V input channels - Encoder evaluation (A/B) with one reference pulse
Product reference	TM5SE1MISC20005
Additional similar product references	<p>TM5SE1MISC20005 TM5SDI12D TM5SDO12T TM5SAI4L TM5SAI4PH TM5SAO4L TM5SAO2L TM5SAI6TH TM5SAI4H TM5SAO4H TM5SBER2 TM5SDO8TA TM5SPS2 TM5SAI2PH TM5SAI2L TM5SBET1 TM5SDO4R TM5SDO6T TM5SDM12DT TM5SPS2F TM5SDI4D TM5SDI6D TM5SE2IC01024 TM5SAI2H TM5SAI2TH TM5SAO2H TM5SE1IC01024 TM5SDO4T TM5SPS1 TM5SDO2R TM5SDI2DF</p>
Total representative product mass	24,8 g
Representative product dimensions	98,2 mm x 57,8 mm x 12,5 mm
Accessories	No
Date of information release	19/12/2025

Additional information

Legal information	<p>This product family is in the scope of European Union directive 2012/19/EU on Waste Electrical and Electronic Equipment (WEEE). The product family must be disposed according to the legislation of the country. This document is intended for use by end of life recyclers or treatment facilities. It provides the basic information to assure an appropriate end of life treatment for the components and materials of the product.</p>
In case of special transportation: transportation method	No special transportation
Recyclability potential	<p>0%</p> <p>The recyclability rate was calculated from the recycling rates of each material making up the product based on REEECY'LAB tool developed by Ecosystem, for components/materials not covered by the tool, data from the EIME database and the related PSR was taken. If no data was found a conservative assumption was used (0% recyclability).</p>

Schneider Electric Industries SAS

Country Customer Care Center
<http://www.se.com/contact>

35, rue Joseph Monier

CS 30323

F- 92500 Rueil Malmaison Cedex

RCS Nanterre 954 503 439

Capital social 928 298 512 €

www.se.com

ENVEOLI1511026_V2

Published by Schneider Electric

© 2025 - Schneider Electric – All rights reserved

19/12/2025