




operator kit with Bowden cable Max-Flex operator handle single epoxy-coated steel NEMA 1, 12, 3R black = OFF, black = ON accessory for: 3VA55-59; 3VA65-69 only for the UL market only for UL applications not approved for IEC

Model	
product brand name	SETRON
product designation	Operating unit Max-Flex, handle single
accessories	handle for Max-Flex
General technical data	
degree of protection NEMA rating	1, 3R, 12
Certificates	
General Product Approval	EMV



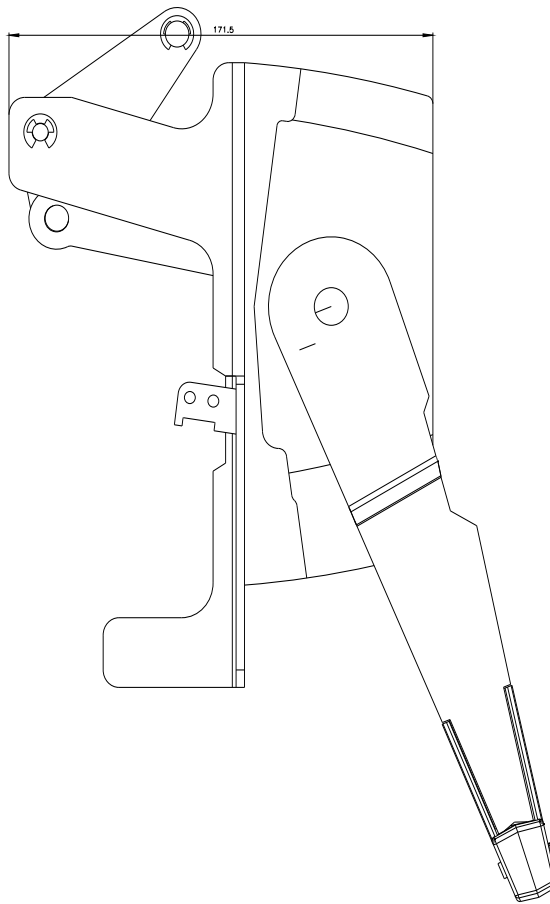
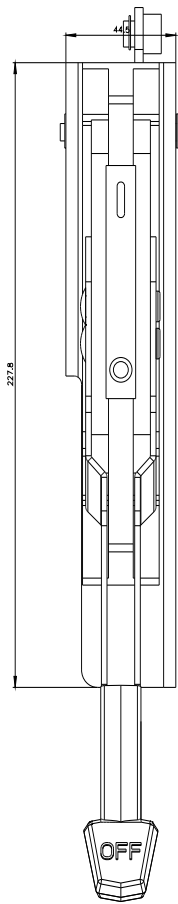
[Miscellaneous](#)



Maritime application	other	Environment			
 LRS	<a href="#">Confirmation</a>	<a href="#">Miscellaneous</a>	<a href="#">Environmental Con- firmations</a>	<a href="#">Environmental Con- firmations</a>	

### Further information

- Information on the packaging  
<https://support.industry.siemens.com/cs/ww/en/view/109813875>
- Information for data generation and storage  
<https://support.industry.siemens.com/cs/ww/en/view/109995012>
- Information- and Downloadcenter (Catalogs, Brochures,...)  
<http://www.siemens.com/lowvoltage/catalogs>
- Industry Mall (Online ordering system)  
<https://mall.industry.siemens.com/mall/en/en/Catalog/product?mlfb=3VA9877-0CH74>
- Service&Support (Manuals, Certificates, Characteristics, FAQs,...)  
<https://support.industry.siemens.com/cs/ww/en/ps/3VA9877-0CH74>
- Image database (product images, 2D dimension drawings, 3D models, device circuit diagrams, ...)  
[http://www.automation.siemens.com/bilddb/cax\\_en.aspx?mlfb=3VA9877-0CH74](http://www.automation.siemens.com/bilddb/cax_en.aspx?mlfb=3VA9877-0CH74)
- CAx-Online-Generator  
<http://www.siemens.com/cax>
- Tender specifications  
<http://www.siemens.com/specifications>



---

last modified:

5/26/2025 

