



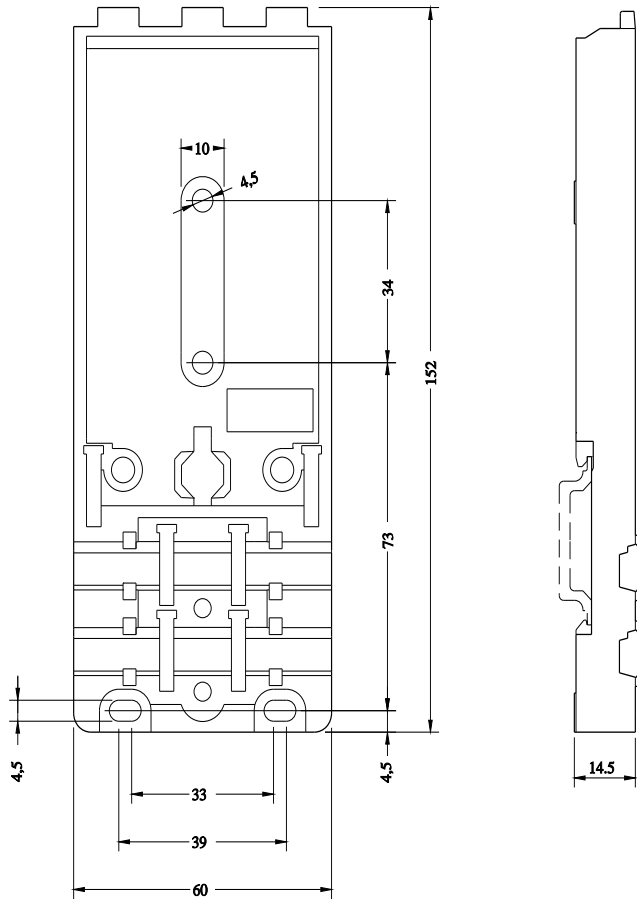
AS-Interface mounting plate K60 for compact modules K60 for installation on standard mounting rail for 2 flat cables AS-i cable (yellow) and AS-i cable 24 V (black)

General technical data			
Type of device		accessories digital I/O modules for operation in the field, IP67 - K60	
design of the product		K60 mounting plate for standard rail mounting	
Note		Additional seals only required if the flat cables end in the module (3RK1 902-0AR00)	
Connections/ Terminals			
type of electrical connection		insulation piercing method for AS-Interface flat cable	
Mechanical data			
Type of mounting		for standard rail mounting	
Ambient conditions			
ambient temperature	°C	-25 ... +85	
degree of protection		IP67 with screw-mounted K60 compact module	
Certificates/ approvals			
General Product Approval	EMV	Maritime application	other



other	Environment
Confirmation	Environmental Confirmations

Further information
<p>Information on the packaging https://support.industry.siemens.com/cs/ww/en/view/109813875</p> <p>Information- and Downloadcenter (Catalogs, Brochures,...) https://www.siemens.com/ic10</p> <p>Industry Mall (Online ordering system) https://mall.industry.siemens.com/mall/en/en/Catalog/product?mlfb=3RK1901-0CB01</p> <p>Cax online generator http://support.automation.siemens.com/WW/CAXorder/default.aspx?lang=en&mlfb=3RK1901-0CB01</p> <p>Service&Support (Manuals, Certificates, Characteristics, FAQs,...) https://support.industry.siemens.com/cs/ww/en/ps/3RK1901-0CB01</p> <p>Image database (product images, 2D dimension drawings, 3D models, device circuit diagrams, EPLAN macros, ...) http://www.automation.siemens.com/bilddb/cax_de.aspx?mlfb=3RK1901-0CB01&lang=en</p>



last modified:

4/1/2025 