



Timing relay, electronic OFF delay without control signal or smooth passing make contact non-volatile 24 V AC/DC, 1 change-over contact 7 time ranges, 0.05...600 s with LED, Screw terminal

product brand name	SIRIUS
product designation	timing relay
design of the product	OFF-delay without control signal, non-volatile, passing make contact
product type designation	3RP25
<b>General technical data</b>	
product feature protective coating on printed-circuit board	No
product component	
• relay output	Yes
• semi-conductor output	No
product extension required remote control	No
product extension optional remote control	No
power loss [W] maximum	2 W
insulation voltage for overvoltage category III according to IEC 60664 with degree of pollution 3 rated value	300 V
test voltage for isolation test	2.5 kV
degree of pollution	3
surge voltage resistance rated value	4 000 V
shock resistance according to IEC 60068-2-27	11g / 15 ms
vibration resistance according to IEC 60068-2-6	10 ... 55 Hz / 0.35 mm
mechanical service life (operating cycles) typical	10 000 000
electrical endurance (operating cycles) at AC-15 at 230 V typical	100 000
adjustable time	0.05 ... 600 s
adjustable time note	minimum value at function N = 0.5 s
relative setting accuracy relating to full-scale value	5 %; +/-
thermal current	5 A
minimum ON period	250 ms
recovery time	250 ms
reference code according to IEC 81346-2	K
relative repeat accuracy	1 %; +/-
influence of the surrounding temperature	1% in the whole temperature range to the set runtime
power supply influence	1% in the whole voltage range to the set runtime
Substance Prohibitance (Date)	09/12/2014
SVHC substance name	Lead - 7439-92-1 Lead monoxide (lead oxide) - 1317-36-8 6,6'-di-tert-butyl-2,2'-methylenedi-p-cresol - 119-47-1
Weight	0.165 kg
<b>Control circuit/ Control</b>	
type of voltage of the control supply voltage	AC/DC
control supply voltage 1 at AC	
• at 50 Hz rated value	24 V

<ul style="list-style-type: none"> <li>• at 60 Hz rated value</li> </ul>	24 V
<b>control supply voltage frequency 1</b>	50 ... 60 Hz
<b>control supply voltage 1 at DC rated value</b>	24 V
<b>operating range factor control supply voltage rated value at DC</b>	
<ul style="list-style-type: none"> <li>• initial value</li> <li>• full-scale value</li> </ul>	0.85 1.1
<b>operating range factor control supply voltage rated value at AC at 50 Hz</b>	
<ul style="list-style-type: none"> <li>• initial value</li> <li>• full-scale value</li> </ul>	0.85 1.1
<b>operating range factor control supply voltage rated value at AC at 60 Hz</b>	
<ul style="list-style-type: none"> <li>• initial value</li> <li>• full-scale value</li> </ul>	0.85 1.1
<b>inrush current peak</b>	
<ul style="list-style-type: none"> <li>• at 24 V</li> </ul>	2 A
<b>duration of inrush current peak</b>	
<ul style="list-style-type: none"> <li>• at 24 V</li> </ul>	1 ms
<b>Switching Function</b>	
<b>switching function</b>	
<ul style="list-style-type: none"> <li>• ON-delay</li> <li>• ON-delay/instantaneous contact</li> <li>• passing make contact</li> <li>• passing make contact/instantaneous contact</li> <li>• OFF delay</li> </ul>	No No Yes No Yes
<b>switching function</b>	
<ul style="list-style-type: none"> <li>• flashing symmetrically with interval start/instantaneous</li> <li>• flashing symmetrically with interval start</li> <li>• flashing symmetrically with pulse start/instantaneous</li> <li>• flashing symmetrically with pulse start</li> <li>• flashing asymmetrically with interval start</li> <li>• flashing asymmetrically with pulse start</li> </ul>	No No No No No No
<b>switching function</b>	
<ul style="list-style-type: none"> <li>• star-delta circuit with delay time</li> <li>• star-delta circuit</li> </ul>	No No
<b>switching function with control signal</b>	
<ul style="list-style-type: none"> <li>• additive ON-delay</li> <li>• passing break contact</li> <li>• passing break contact/instantaneous</li> <li>• OFF delay</li> <li>• OFF delay/instantaneous</li> <li>• pulse delayed</li> <li>• pulse delayed/instantaneous</li> <li>• pulse-shaping</li> <li>• pulse-shaping/instantaneous</li> <li>• additive ON-delay/instantaneous</li> <li>• ON-delay/OFF-delay/instantaneous</li> <li>• passing make contact</li> <li>• passing make contact/instantaneous contact</li> </ul>	No No No No No No No No No No No No No No
<b>switching function of interval relay with control signal</b>	
<ul style="list-style-type: none"> <li>• retrotriggerable with deactivated control signal/instantaneous contact</li> <li>• retrotriggerable with switched-on control signal</li> <li>• retrotriggerable with switched-on control signal/instantaneous contact</li> <li>• retriggerable with deactivated control signal</li> </ul>	No No No No
<b>Short-circuit protection</b>	
design of the fuse link for short-circuit protection of the auxiliary switch required	fuse gL/gG: 4 A
<b>Auxiliary circuit</b>	
<b>material of switching contacts</b>	AgSnO2

<b>number of NC contacts</b>	
• delayed switching	0
• instantaneous contact	0
<b>number of NO contacts</b>	
• delayed switching	0
• instantaneous contact	0
<b>number of CO contacts</b>	
• delayed switching	1
• instantaneous contact	0
<b>operational current of auxiliary contacts at AC-15</b>	
• at 24 V	3 A
• at 250 V	3 A
<b>operational current of auxiliary contacts at DC-13</b>	
• at 24 V	1 A
• at 125 V	0.2 A
• at 250 V	0.1 A
<b>operating frequency with 3RT2 contactor maximum</b>	5 000 1/h
<b>contact reliability of auxiliary contacts</b>	one incorrect switching operation of 100 million switching operations (17 V, 5 mA)
<b>switching capacity current with inductive load</b>	0.01 ... 3 A
<b>Inputs/ Outputs</b>	
<b>product function</b>	
• at the relay outputs switchover delayed/without delay	No
• non-volatile	Yes
<b>Electromagnetic compatibility</b>	
EMC emitted interference according to IEC 61812-1	ambience A (industrial sector)
EMC immunity according to IEC 61812-1	corresponds to degree of severity 3
<b>conducted interference</b>	
• due to burst according to IEC 61000-4-4	2 kV network connection / 1 kV control connection
• due to conductor-earth surge according to IEC 61000-4-5	2 kV
• due to conductor-conductor surge according to IEC 61000-4-5	1 kV
<b>field-based interference according to IEC 61000-4-3</b>	10 V/m
<b>electrostatic discharge according to IEC 61000-4-2</b>	4 kV contact discharge / 8 kV air discharge
<b>Safety related data</b>	
category according to EN 954-1	none
<b>Electrical Safety</b>	
<b>protection class IP on the front according to IEC 60529</b>	IP20
<b>type of insulation</b>	Basic insulation
<b>Connections/ Terminals</b>	
<b>product component removable terminal for auxiliary and control circuit</b>	Yes
type of electrical connection for auxiliary and control circuit	screw-type terminals
<b>type of connectable conductor cross-sections</b>	
• solid	1x (0.5 ... 4 mm <sup>2</sup> ), 2x (0.5 ... 2.5 mm <sup>2</sup> )
• finely stranded with core end processing	1x (0.5 ... 4 mm <sup>2</sup> ), 2x (0.5 ... 1.5 mm <sup>2</sup> )
• for AWG cables solid	1x (20 ... 12), 2x (20 ... 14)
• for AWG cables stranded	1x (20 ... 12), 2x (20 ... 14)
<b>connectable conductor cross-section</b>	
• solid	0.5 ... 4 mm <sup>2</sup>
• finely stranded with core end processing	0.5 ... 4 mm <sup>2</sup>
<b>AWG number as coded connectable conductor cross section</b>	
• solid	20 ... 12
• stranded	20 ... 14
<b>tightening torque</b>	0.6 ... 0.8 N·m
<b>design of the thread of the connection screw</b>	M3
<b>Installation/ mounting/ dimensions</b>	
<b>mounting position</b>	any
<b>fastening method</b>	screw and snap-on mounting onto 35 mm DIN rail
<b>height</b>	100 mm
<b>width</b>	22.5 mm

<b>depth</b>	90 mm
<b>required spacing</b>	
<ul style="list-style-type: none"> <li>• with side-by-side mounting <ul style="list-style-type: none"> <li>— forwards 0 mm</li> <li>— backwards 0 mm</li> <li>— upwards 0 mm</li> <li>— downwards 0 mm</li> <li>— at the side 0 mm</li> </ul> </li> <li>• for grounded parts <ul style="list-style-type: none"> <li>— forwards 0 mm</li> <li>— backwards 0 mm</li> <li>— upwards 0 mm</li> <li>— at the side 0 mm</li> <li>— downwards 0 mm</li> </ul> </li> <li>• for live parts <ul style="list-style-type: none"> <li>— forwards 0 mm</li> <li>— backwards 0 mm</li> <li>— upwards 0 mm</li> <li>— downwards 0 mm</li> <li>— at the side 0 mm</li> </ul> </li> </ul>	

**Ambient conditions**

installation altitude at height above sea level maximum	2 000 m
<b>ambient temperature</b>	
<ul style="list-style-type: none"> <li>• during operation -25 ... +60 °C</li> <li>• during storage -40 ... +85 °C</li> <li>• during transport -40 ... +85 °C</li> </ul>	
relative humidity during operation	10 ... 95 %

**Approvals Certificates**

<b>General Product Approval</b>	EMV
---------------------------------	-----



<b>EMV</b>	<b>Test Certificates</b>	<b>Maritime application</b>
------------	--------------------------	-----------------------------

[KC](#)

[Type Test Certificates/Test Report](#)



<b>Maritime application</b>	<b>other</b>	<b>Environment</b>
-----------------------------	--------------	--------------------



[Confirmation](#)

[Environmental Confirmations](#)

**Further information**

Information on the packaging

<https://support.industry.siemens.com/cs/ww/en/view/109813875>

Information for data generation and storage

<https://support.industry.siemens.com/cs/ww/en/view/109995012>

Information- and Downloadcenter (Catalogs, Brochures,...)

<https://www.siemens.com/ic10>

Industry Mall (Online ordering system)

<https://mall.industry.siemens.com/mall/en/en/Catalog/product?mlfb=3RP2540-1AB30>

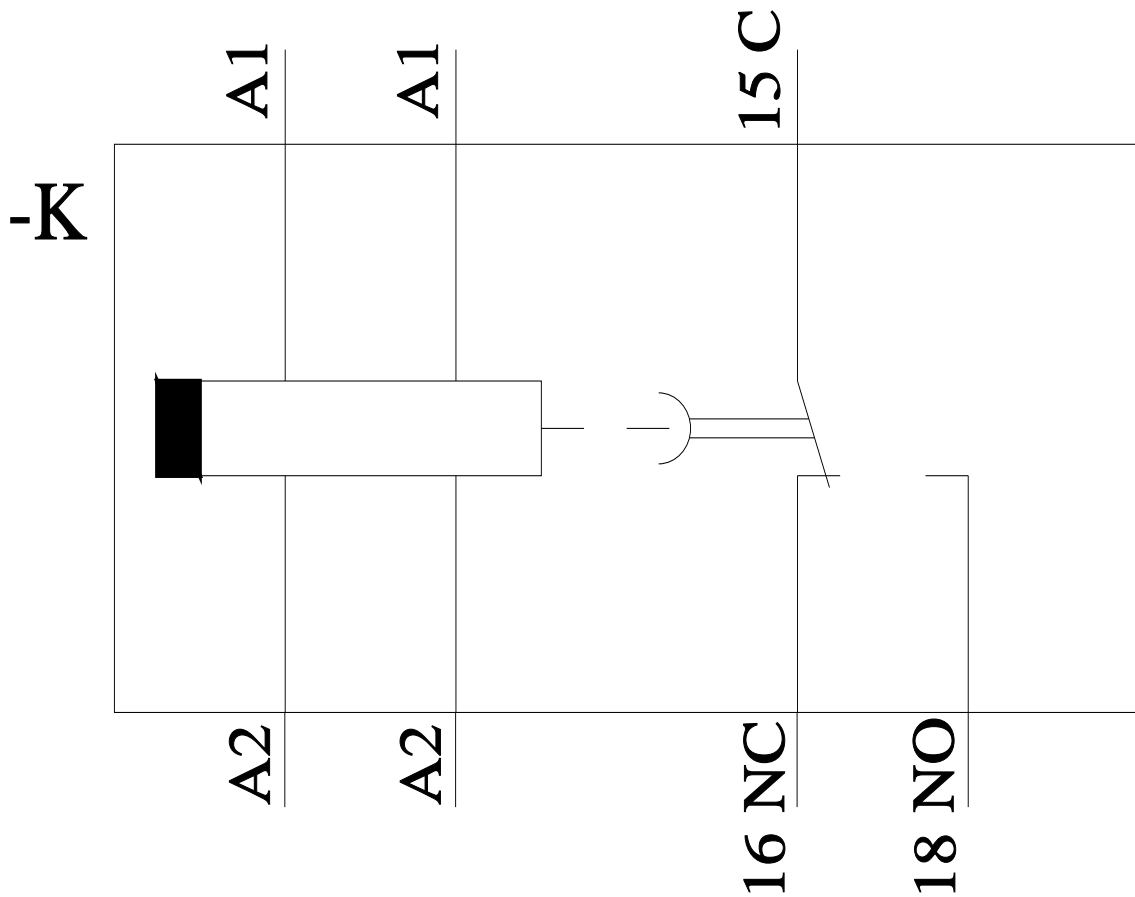
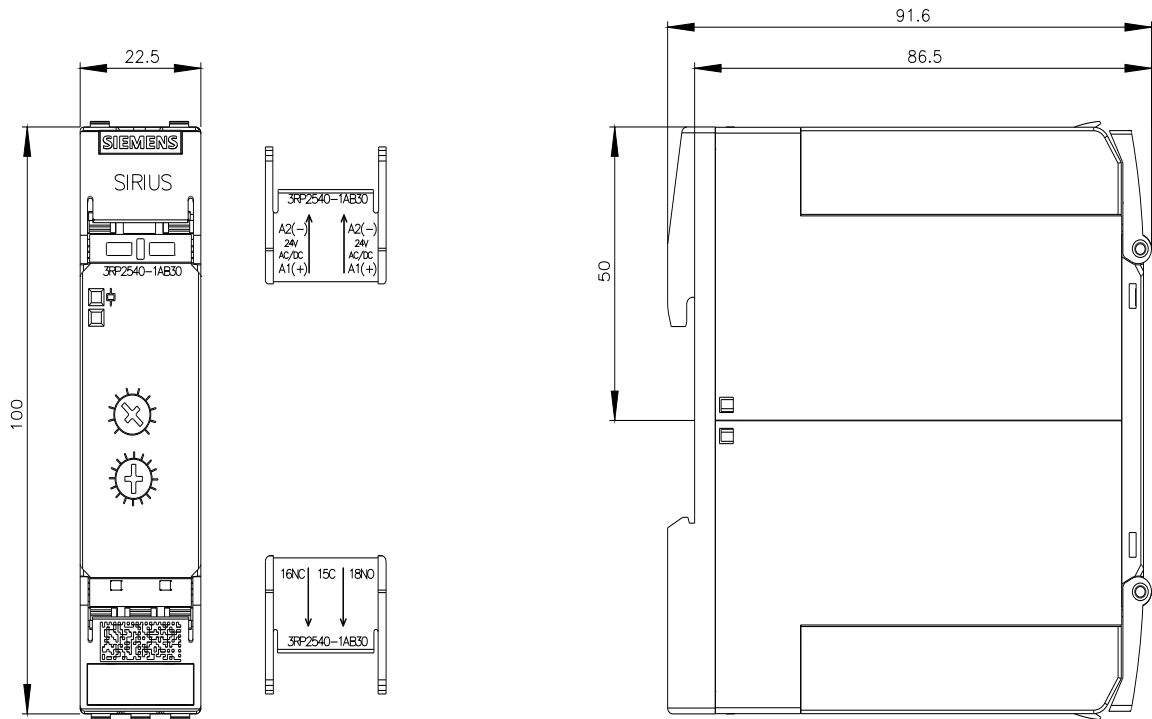
Cax online generator

<http://support.automation.siemens.com/WW/CAXorder/default.aspx?lang=en&mlfb=3RP2540-1AB30>

Service&Support (Manuals, Certificates, Characteristics, FAQs,...)

<https://support.industry.siemens.com/cs/ww/en/ps/3RP2540-1AB30>

Image database (product images, 2D dimension drawings, 3D models, device circuit diagrams, EPLAN macros, ...)



---

last modified:

9/5/2025 