








## Selection and ordering data

| Type  | Design  | For SIRIUS MSP size  | Order No.   | List Price \$         | Weight approx. kg     |
|---|---|--|---|-----------------------|-----------------------|
| <b>Enclosure for wall mounting</b>  |   |  |   |                       |                       |
| 3RV19 13-1DA00<br>   | <b>Molded-plastic enclosure for wall mounting</b><br>with actuator diaphragm, metric cable gland  | Degree of protection IP55, with N and PE terminals<br>Overall width:   |   |                       |                       |
|   |   | 54 mm (e.g. MSP + lateral auxiliary switch)  | S00   | <b>3RV19 13-1CA00</b> | 0.23                  |
|   |   | 72 mm (e.g. MSP + lateral auxiliary switch + auxiliary release)  | S00   | <b>3RV19 13-1DA00</b> | 0.27                  |
| 3RV19 23-1CA00<br>   | <b>Molded-plastic enclosure for wall mounting</b><br>with rotary operating mechanism, lockable, with metric cable gland                           | Degree of protection IP 55, with N and PE terminals, lockable in 0 position<br>Overall width:  |   |                       |                       |
|   |   | 54 mm (e.g. MSP + lateral auxiliary switch)  | S0  | <b>3RV19 23-1CA00</b> | 0.26                  |
|   |   | 72 mm (e.g. MSP + auxiliary switch + auxiliary release)  | S0  | <b>3RV19 23-1DA00</b> | 0.30                  |
|   |   | 82 mm (e.g. MSP + auxiliary switch + auxiliary release)  | S2  | <b>3RV19 33-1DA00</b> | 0.81                  |
|   | <b>Molded-plastic enclosure for wall mounting with EMERGENCY STOP rotary operating mechanism</b><br>red/yellow, lockable, with metric cable gland | Degree of protection IP 55, with N and PE terminals, lockable in 0 position<br>Overall width:  |   |                       |                       |
|   |   | 54 mm (e.g. MSP + lateral auxiliary switch)  | S0  | <b>3RV19 23-1FA00</b> | 0.26                  |
|   |   | 72 mm (e.g. MSP + auxiliary switch + auxiliary release)  | S0  | <b>3RV19 23-1GA00</b> | 0.30                  |
|   |   | 82 mm (e.g. MSP + auxiliary switch + auxiliary release)  | S2  | <b>3RV19 33-1GA00</b> | 0.81                  |
| 3RV19 23-1DA01<br> | <b>Cast aluminum surface-mount enclosure</b><br>with rotary operating mechanism, lockable, with metric cable gland                                | Degree of protection IP 65, with PE terminals, <sup>1)</sup> lockable in 0 position<br>Overall width:  |   |                       |                       |
|   |   | 72 mm (e.g. MSP + auxiliary switch + auxiliary release)  | S0  | <b>3RV19 23-1DA01</b> | 0.97                  |
|   | <b>Cast aluminum surface-mount enclosure</b><br>with EMERGENCY-OFF rotary operating mechanism red/yellow, lockable, with metric cable gland       | Degree of protection IP 65, with PE terminals, <sup>1)</sup> lockable in 0 position<br>Overall width:  |   |                       |                       |
|   |   | 72 mm (e.g. MSP + auxiliary switch + auxiliary release)  | S0  | <b>3RV19 23-1GA01</b> | 0.97                  |
| <b>Enclosure for flush mounting</b>   |   |  |   |                       |                       |
| 3RV19 13-2DA00<br> | <b>Molded-plastic enclosure for flush mounting with actuator diaphragm</b><br>with metric cable gland   | Degree of protection IP 55 (front plate), with N and PE terminals<br>Overall width:<br>72 mm (e.g. MSP + lateral auxiliary switch + auxiliary release)   | S00   | <b>3RV19 13-2DA00</b> | 0.32                  |
| 3RV19 23-2DA00<br> | <b>Molded-plastic enclosure for flush mounting</b><br>with rotary operating mechanism, lockable, with metric cable gland                          | Degree of protection IP 55, with N and PE terminals, lockable in 0 position<br>Overall width:<br>72 mm (e.g. MSP + auxiliary switch + auxiliary release) | S0  | <b>3RV19 23-2DA00</b> | 0.31                  |
|   |   | <b>Molded-plastic enclosure for flush mounting with EMERGENCY STOP rotary operating mechanism,</b><br>red/yellow, lockable, with metric cable gland      | Degree of protection IP 55, with N and PE terminals, lockable in 0 position<br>Overall width: 72 mm (e.g. MSP + auxiliary switch + auxiliary release) | S0                    | <b>3RV19 23-2GA00</b> |

1) If required, an additional N terminal can be mounted (example 8WA10 11-1BG11).



### Enclosures and front plates

#### Overview

##### Enclosures

For installing individual MSP's of the sizes S00 ( $I_{nmax.} = 12 A$ ), S0 ( $I_{nmax.} = 25 A$ ) and S2 ( $I_{nmax.} = 50 A$ ), moulded-plastic enclosures for wall or flush mounting are available in various dimensions. The enclosures for wall-mounting are designed for degree of protection IP 55. The flush mounting enclosures also conform with degree of protection IP 55 at the front (the flush-mounted section complies with IP 20).

All enclosures are equipped with N and PE terminals. Respectively at the top and bottom, the device is equipped with 2 knock-out cable entries for cable glands.

Corresponding premoulded cable entries are also available at the rear side. There is a knock-out for indicator lights, which are available as accessories, on front of the enclosure.

The narrow enclosure can accommodate a MSP, with transverse and lateral auxiliary switch only. Wide enclosures and enclosures for S2 MSP's also provide space for a laterally mounted auxiliary release. The installation of a MSP with signalling switch is not intended.

With S00 MSP's, the switch rocker is operated via the actuator diaphragm of the enclosure. A locking device, capable of holding up to three padlocks, can be fitted onto the actuator diaphragm. These padlocks prevent the MSP from closing during maintenance work, for example.

A mushroom-shaped EMERGENCY STOP handle can be fitted in place of the locking device. If it is actuated abruptly, the MSP opens and the mushroom-shaped handle latches.

The handle can be unlatched again either by turning it or by using a special key.

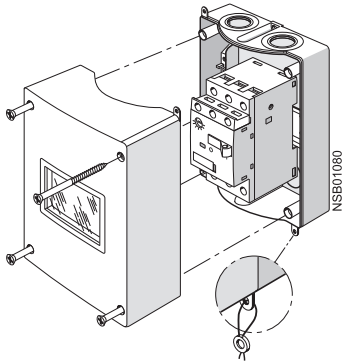
The MSP can subsequently be switched on again.

The moulded-plastic enclosures of S0 and S2 MSP's with a rotary operating mechanism are also fitted with a rotary operating mechanism.

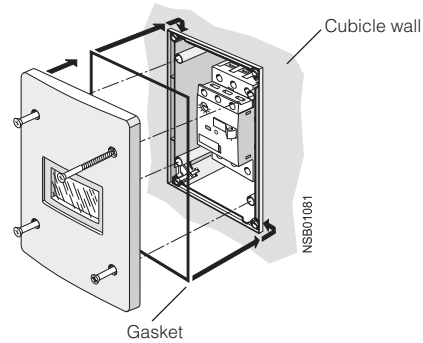
The enclosures are available with black rotary operating mechanisms or with EMERGENCY STOP rotary operating mechanisms with a red/yellow handle.

All rotary operating mechanisms can be locked in the OFF position with up to three padlocks.

##### Enclosure for wall mounting



##### Enclosure for flush mounting



##### Front plates

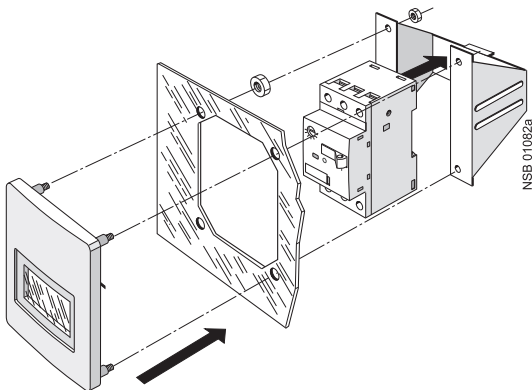
MSP's are frequently required to be actuated in any enclosure. Front plates equipped with an actuating

diaphragm for size S00 circuit breakers, or rotary operating mechanism for S0 to S3 MSP's are available for this purpose.

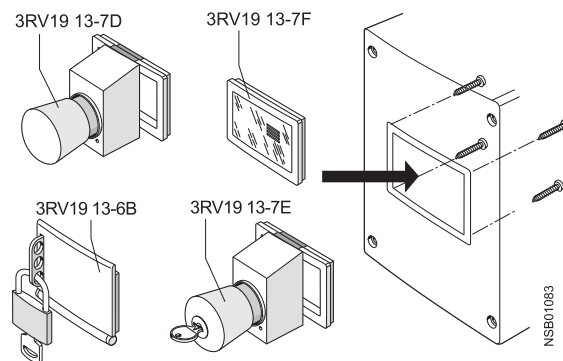
The front plates for size S00 are equipped with a retaining frame, into which the MSP's can be snapped.

A retaining frame for size S0 MSP's is available for front plate sizes S0 to S3.

##### Front plate for size S00



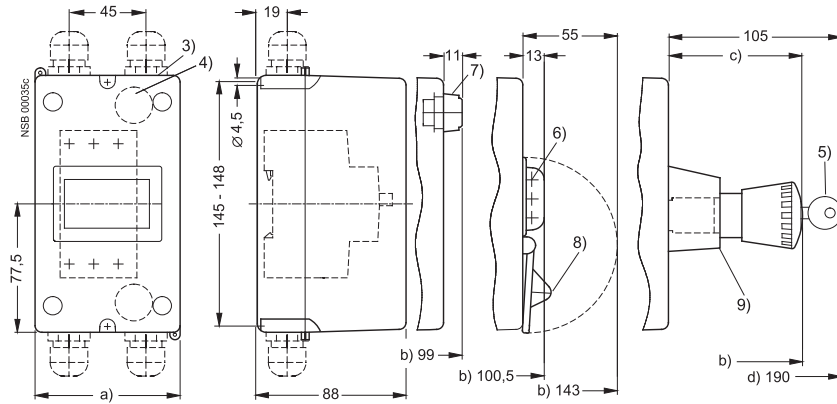
##### Accessories for enclosures and front plates





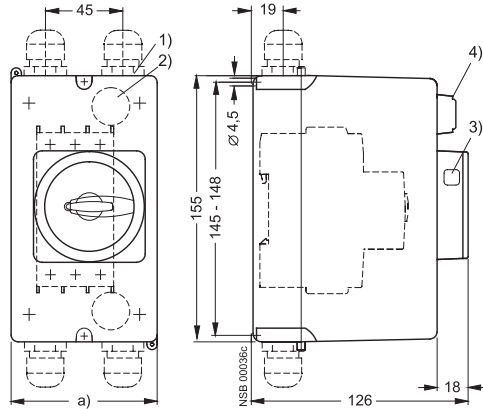
Dimension drawings

**3RV19 3-1.... Molded-plastic enclosure for wall mounting**  
for MSP's of size S00  
3RV19 13-1....



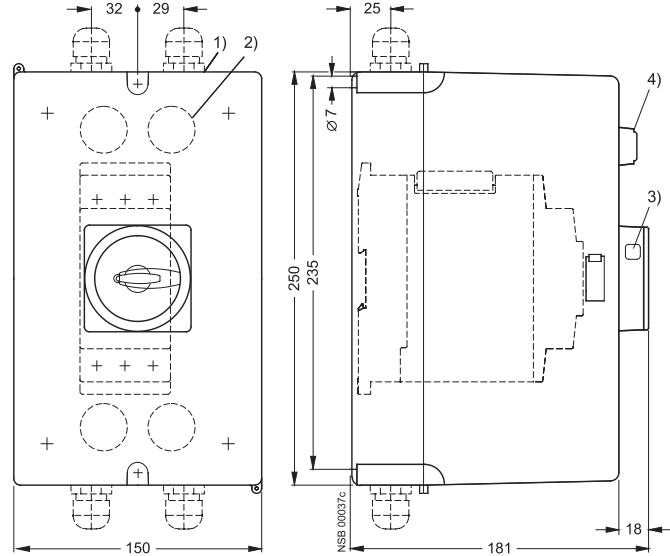
- a) 3RV19 13-1CA00 85 mm  
3RV19 13-1DA00 105 mm.
- b) With 3RV19 13-7D: 146.5 mm  
With 3RV19 13-7E: 166.5 mm,  
Dimensions refer to mounting plane.
- c) With 3RV19 13-7D: 64 mm  
With 3RV19 13-7E: 84 mm.
- d) Dimension refers to mounting plane
- 3) M25 knock-out.
- 4) M20 knock-out  
for rear cable entry.
- 5) With safety lock.
- 6) Max. shackle diameter of the  
padlock is 8 mm.
- 7) Indicator light 3RV19 03-5.
- 8) 3RV19 13-6B locking device
- 9) 3RV19 13-7. EMERGENCY STOP mushroom  
button

for MSP's of size S0  
3RV19 23-1....



- a) 3RV19 23-1CA00 85 mm  
3RV19 23-1DA00 105 mm.
- 1) M25 knock-out.
- 2) M20 knock-out for rear cable entry.
- 3) Opening for padlock with shackle diameter max. 8 mm.
- 4) Indicator light 3RV19 03-5.

for MSP's of size S2  
3RV19 33-1....



- 1) Knock-outs for M32 (left) and M40 (right).
- 2) M32 knock-outs for rear-side cable entry.
- 3) Opening for padlock with shackle diameter max. 8 mm.
- 4) Indicator light 3RV19 03-5.

# 3RV1 Motor Starter Protectors

## General Data

SIRIUS

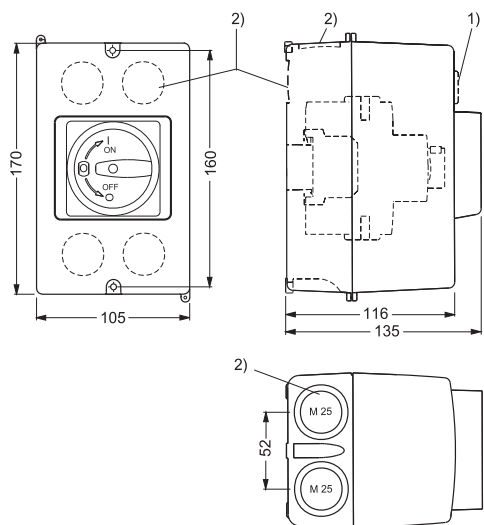


### Enclosures and front plates

#### Dimension drawings

##### 3RV19 23-1.... Cast aluminum enclosure for wall mounting

for MSP size S0  
3RV19 23-1DA01  
3RV19 23-1GA01

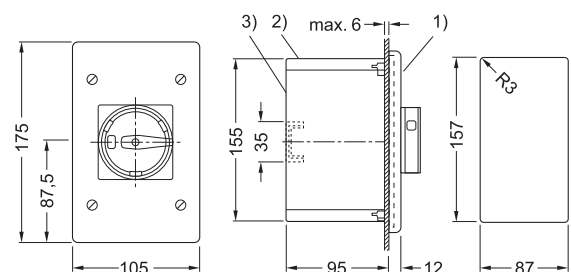
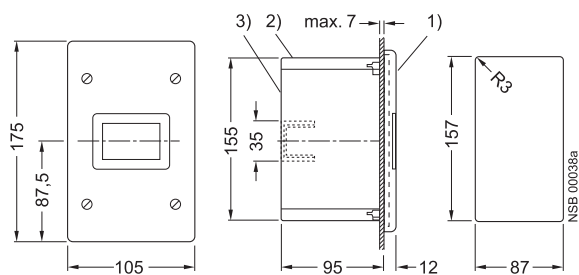


- 1) 3RV19 03-5. Indicator light
- 2) M25 knockouts for screwed cable glands

##### Molded-plastic enclosure for flush mounting 3RV19.3-2....

for MSP size S00  
3RV19 13-2DA00

for MSP size S0  
3RV19 23-2DA00  
3RV19 23-2GA00



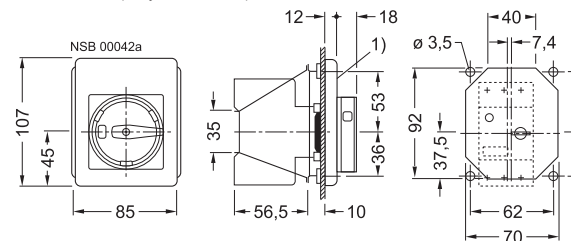
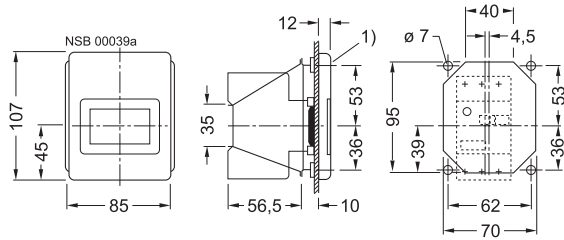
- 1) 3RV19 03-5. Indicator light
- 2) M25 knock-out
- 3) M20 knock-out

##### Molded-plastic front plate 3RV19 13-4C

for MSP size S00  
3RV19 13-4C

##### Molded-plastic front plate 3RV19 23-4.

for MSP sizes S0, S2, S3  
3RV19 23-4B  
3RV19 23-4E  
3RV19 23-4G (only for size S0)



- 1) 3RV19 03-5. Indicator light