



AS-Interface M12 branch U_ASI without Uaux, with M12 socket

General technical data			
Type of device		AS-Interface accessories	
design of the product		AS-i M12 branch	
Function		AS-i flat cable transition to M12	
operating voltage according to AS-Interface specification	V	26.5 ... 31.6	
Number sockets		1	
Connections/ Terminals			
type of electrical connection		insulation piercing method for AS-Interface flat cable	
AS interface			
• Connection		1x M12 socket	
Inputs			
Inputs socket assignment		1 = AS-i "+" 3=AS-i "-"	
Mechanical data			
Type of mounting		screw fixing	
Contacts Load rating max	A	2	
Ambient conditions			
ambient temperature	°C	-25 ... +60	
ambient temperature during storage	°C	-25 ... +85	
degree of protection		IP67	
Certificates/ approvals			
General Product Approval	Marine / Shipping	other	Environment

[Confirmation](#)

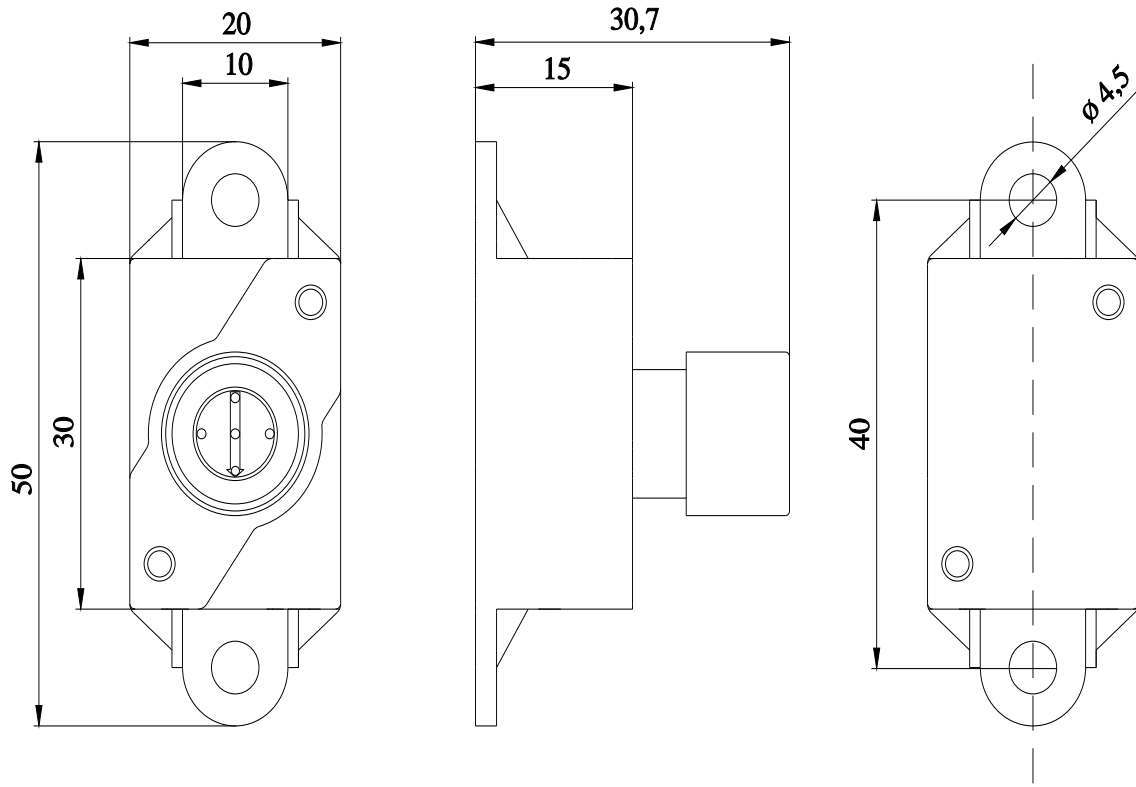


[Confirmation](#)

[Environmental Confirmations](#)

Further information

Information on the packaging
<https://support.industry.siemens.com/cs/ww/en/view/109813875>
 Information- and Downloadcenter (Catalogs, Brochures,...)
<https://www.siemens.com/ic10>
 Industry Mall (Online ordering system)
<https://mall.industry.siemens.com/mall/en/en/Catalog/product?mlfb=3RX9801-0AA00>
 Cax online generator
<http://support.automation.siemens.com/WW/CAXorder/default.aspx?lang=en&mlfb=3RX9801-0AA00>
 Service&Support (Manuals, Certificates, Characteristics, FAQs,...)
<https://support.industry.siemens.com/cs/ww/en/ps/3RX9801-0AA00>
 Image database (product images, 2D dimension drawings, 3D models, device circuit diagrams, EPLAN macros, ...)
http://www.automation.siemens.com/bilddb/cax_de.aspx?mlfb=3RX9801-0AA00&lang=en



last modified:

12/23/2020 