



Contact block, 1 NC, flat connector terminal

product brand name	SIRIUS
product designation	contact block
product type designation	3SB2
Contact block/ lampholder	
number of lampholders	0
General technical data	
product function positive opening	Yes
suitability for integration	pushbutton / selector button
type of voltage	
• of the operating voltage	AC/DC
protection class IP	
• of the enclosure	IP40
• of the terminal	IP00
vibration resistance according to IEC 60068-2-6	20 ... 200 Hz: 5g
reference code according to IEC 81346-2	S
Substance Prohibition (Date)	07/01/2006
Weight	0.004 kg
operating voltage	
• at AC	
— at 50 Hz rated value	5 ... 230 V
— at 60 Hz rated value	5 ... 230 V
• at DC rated value	5 ... 230 V
Auxiliary circuit	
number of NC contacts for auxiliary contacts	1
number of NO contacts for auxiliary contacts	0
number of CO contacts for auxiliary contacts	0
operational current at AC-12	
• at 24 V rated value	10 A
• at 60 V rated value	10 A
• at 110 V rated value	10 A
• at 230 V rated value	10 A
operational current at AC-15	
• at 24 V rated value	4 A
• at 110 V rated value	4 A
• at 230 V rated value	4 A
operational current at DC-12	
• at 24 V rated value	6 A
• at 60 V rated value	5 A
• at 110 V rated value	2.5 A
• at 230 V rated value	1 A

operational current at DC-13	
<ul style="list-style-type: none"> • at 24 V rated value • at 60 V rated value • at 110 V rated value • at 230 V rated value 	3 A 1.2 A 0.7 A 0.3 A

Connections/ Terminals

type of electrical connection	tab terminals
--------------------------------------	---------------

Ambient conditions

ambient temperature	
<ul style="list-style-type: none"> • during operation • during storage 	-25 ... +70 °C -40 ... +80 °C

Installation/ mounting/ dimensions

fastening method	clip-on
height	19 mm
width	8 mm
depth	31 mm

Approvals Certificates

General Product Approval



[KC](#)



other Environment



[Confirmation](#)

[Environmental Con-
firmations](#)

Further information

Information on the packaging

<https://support.industry.siemens.com/cs/ww/en/view/109813875>

Information- and Downloadcenter (Catalogs, Brochures,...)

<https://www.siemens.com/ic10>

Industry Mall (Online ordering system)

<https://mall.industry.siemens.com/mall/en/en/Catalog/product?mlfb=3SB2404-0C>

Cax online generator

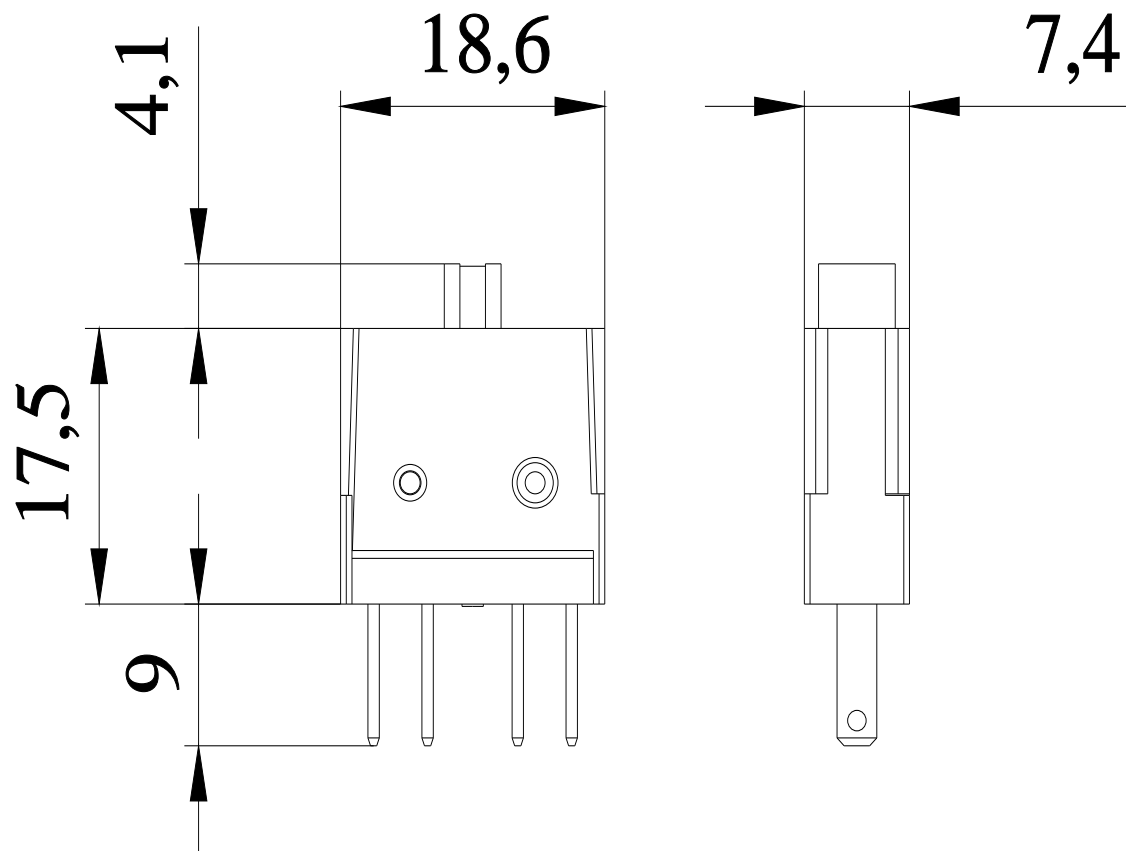
<http://support.automation.siemens.com/WW/CAXorder/default.aspx?lang=en&mlfb=3SB2404-0C>

Service&Support (Manuals, Certificates, Characteristics, FAQs,...)

<https://support.industry.siemens.com/cs/ww/en/ps/3SB2404-0C>

Image database (product images, 2D dimension drawings, 3D models, device circuit diagrams, EPLAN macros, ...)

http://www.automation.siemens.com/bilddb/cax_de.aspx?mlfb=3SB2404-0C&lang=en



last modified:

4/2/2025 