



Hinge switch Molded-plastic enclosure with aluminum hinge 1 NO/2 NC, Slow-action contacts for 40 mm profiles Supplied with additional hinge and fixing material Actuating angle 4°

product brand name	SIRIUS
product designation	Safety hinge switches
product type designation	<a href="#">3SE228</a>
suitability for use safety switch	Yes
<b>General technical data</b>	
product function positive opening	Yes
insulation voltage rated value	250 V
surge voltage resistance rated value	4 kV
protection class IP	IP65
shock resistance	30g / 18 ms
mechanical service life (operating cycles) typical	1 000 000
thermal current	2.5 A
reference code according to IEC 81346-2	B
active principle	mechanical
Substance Prohibitance (Date)	07/01/2006
SVHC substance name	Lead - 7439-92-1
Weight	0.426 kg
length of the sensor	92 mm
width of the sensor	111.5 mm
<b>Ambient conditions</b>	
ambient temperature	
• during operation	-25 ... +65 °C
explosion protection category for dust	none
design of the switching contact	mechanical
number of NC contacts for auxiliary contacts	2
number of NO contacts for auxiliary contacts	1
operational current at AC-15	
• at 125 V rated value	4.2 A
• at 230 V rated value	2 A
operational current at DC-13	
• at 24 V rated value	1 A
<b>Enclosure</b>	
design of the housing	special design
material of the enclosure	glass fiber reinforced thermoplast
coating of the enclosure	none
design of the housing according to standard	No
<b>Drive Head</b>	
design of the actuating element	rotary actuator
design of the switching function	positive opening
circuit principle	slow-action contacts

number of switching contacts safety-related	2
<b>cable entry type</b>	2x (M20 x 1.5)
<b>Installation/ mounting/ dimensions</b>	
<b>fastening method</b>	screw fixing
<b>Connections/ Terminals</b>	
<b>type of electrical connection</b>	screw terminal
<b>type of connectable conductor cross-sections</b>	1x (0,5 ... 1 mm <sup>2</sup> )
• finely stranded with core end processing	
design of the interface for safety-related communication	without
<b>Communication/ Protocol</b>	
<b>design of the interface</b>	without
<b>Approvals Certificates</b>	
General Product Approval	Test Certificates



EG-Konf.



[Confirmation](#)



UL



[Miscellaneous](#)

Marine / Shipping	other	Environment
		<a href="#">Confirmation</a> <a href="#">Environmental Confirmations</a>

**Further information**

**Information on the packaging**

<https://support.industry.siemens.com/cs/ww/en/view/109813875>

**Information- and Downloadcenter (Catalogs, Brochures,...)**

<https://www.siemens.com/ic10>

**Industry Mall (Online ordering system)**

<https://mall.industry.siemens.com/mall/en/en/Catalog/product?mlfb=3SE2283-0GA43>

**Cax online generator**

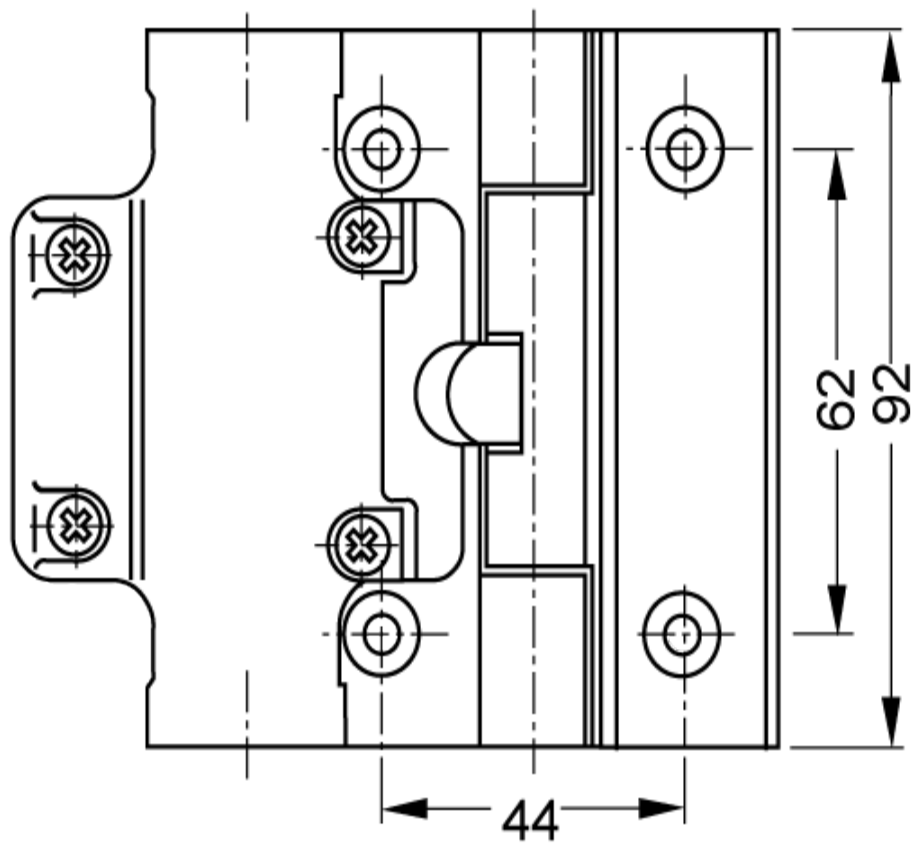
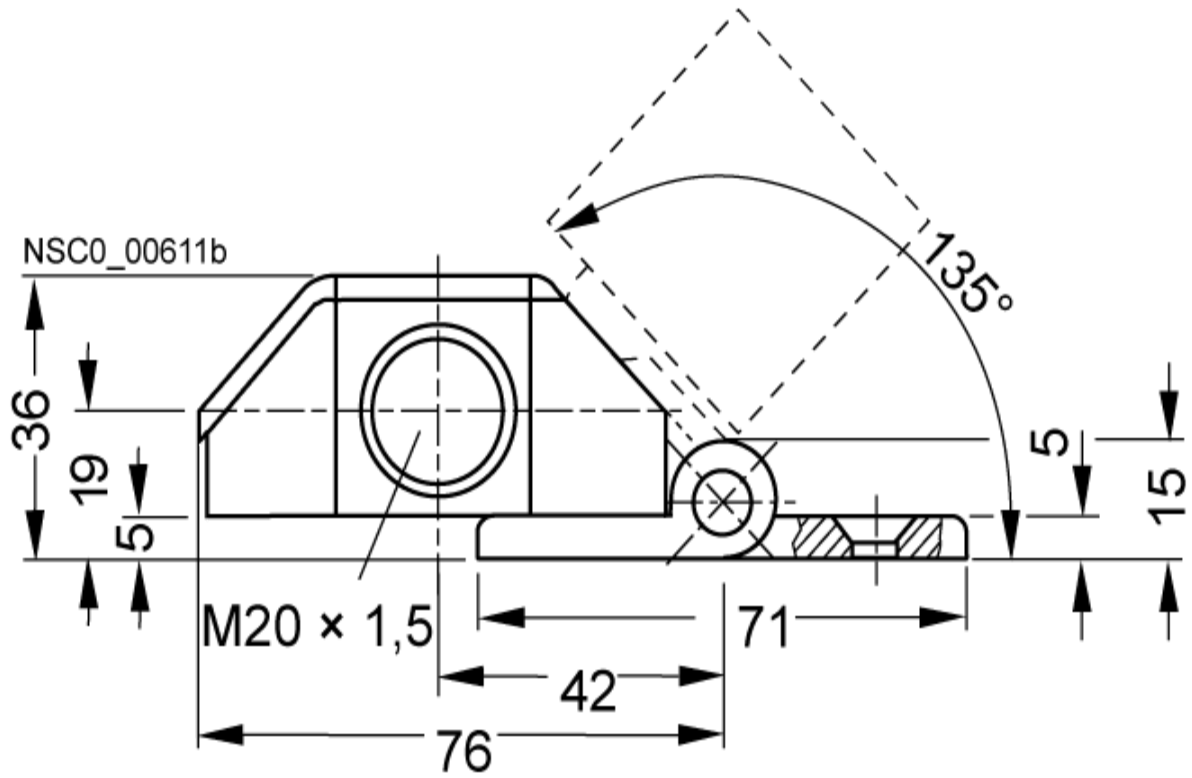
<http://support.automation.siemens.com/WW/CAXorder/default.aspx?lang=en&mlfb=3SE2283-0GA43>

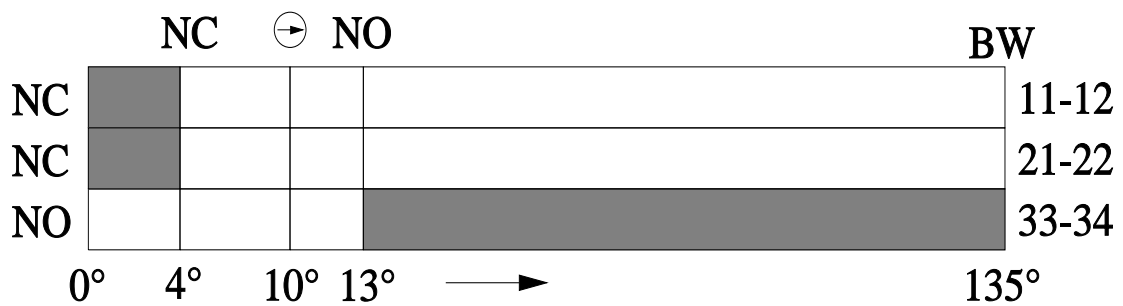
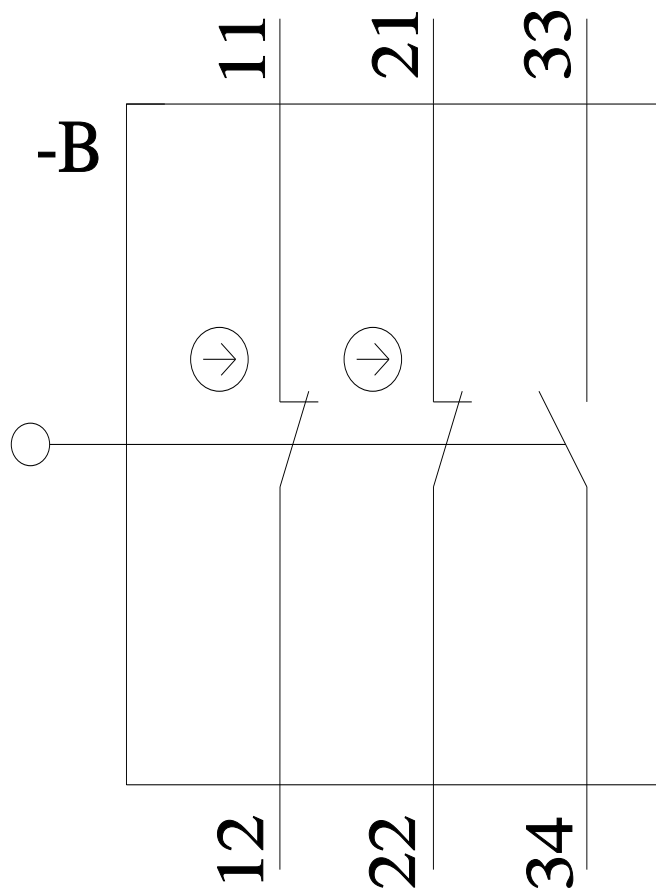
**Service&Support (Manuals, Certificates, Characteristics, FAQs,...)**

<https://support.industry.siemens.com/cs/ww/en/ps/3SE2283-0GA43>

**Image database (product images, 2D dimension drawings, 3D models, device circuit diagrams, EPLAN macros, ...)**

[http://www.automation.siemens.com/bilddb/cax\\_de.aspx?mlfb=3SE2283-0GA43&lang=en](http://www.automation.siemens.com/bilddb/cax_de.aspx?mlfb=3SE2283-0GA43&lang=en)





NC Öffnerkontakt / NC contact

NO Schließerkontakt / NO contact

→ Betätigungsrichtung / Travel

BW Betätigungsweg / Actuator travel

⊕ Zwangsöffnung nach / positive opening operation according to EN 60967-5-1

■ Schaltglied geschlossen / Contact element closed

□ Schaltglied geöffnet / Contact element open

last modified:

4/7/2024 ↗