



Actuator head for position switch 3SE51/52 Roller lever, Form E, with Metal lever and Plastic roller 13 mm according to EN 50047

product brand name	SIRIUS
product designation	actuator head for position switch
product type designation	3SE5
manufacturer's article number	
<ul style="list-style-type: none"> of the supplied actuator head for position switches 	3SE5000-0AE10
General technical data	
product function positive opening	Yes
shock resistance	
<ul style="list-style-type: none"> according to IEC 60068-2-27 	30g / 11 ms
mechanical service life (operating cycles) typical	15 000 000
material of the enclosure of the switch head	plastic
reference code according to IEC 81346-2	T
active principle	mechanical
Substance Prohibition (Date)	07/01/2006
Weight	0.021 kg
minimum actuating force in directions of actuation	10 N
Ambient conditions	
ambient temperature	
<ul style="list-style-type: none"> during operation during storage 	-25 ... +85 °C -40 ... +90 °C
explosion protection category for dust	none
Enclosure	
coating of the enclosure	Other types
Drive Head	
design of the actuating element	Roller lever, metal lever, plastic roller
standard-compliant actuator head	EN 50047, design E
shape of the switch head	roller
outer diameter of the switch head	13 mm
Installation/ mounting/ dimensions	
mounting position	any
fastening method	lockable plug-in fixing
design of the interface for safety-related communication	without
Communication/ Protocol	
design of the interface	without
Approvals Certificates	
General Product Approval	Functional Safety



[Confirmation](#)



Test Certificates	other	Environment
-------------------	-------	-------------

[Type Test Certificates/Test Report](#)

[Confirmation](#)

[Environmental Confirmations](#)

Further information

Information on the packaging

<https://support.industry.siemens.com/cs/ww/en/view/109813875>

Information- and Downloadcenter (Catalogs, Brochures,...)

<https://www.siemens.com/ic10>

Industry Mall (Online ordering system)

<https://mall.industry.siemens.com/mall/en/en/Catalog/product?mlfb=3SE5000-0AE10>

Cax online generator

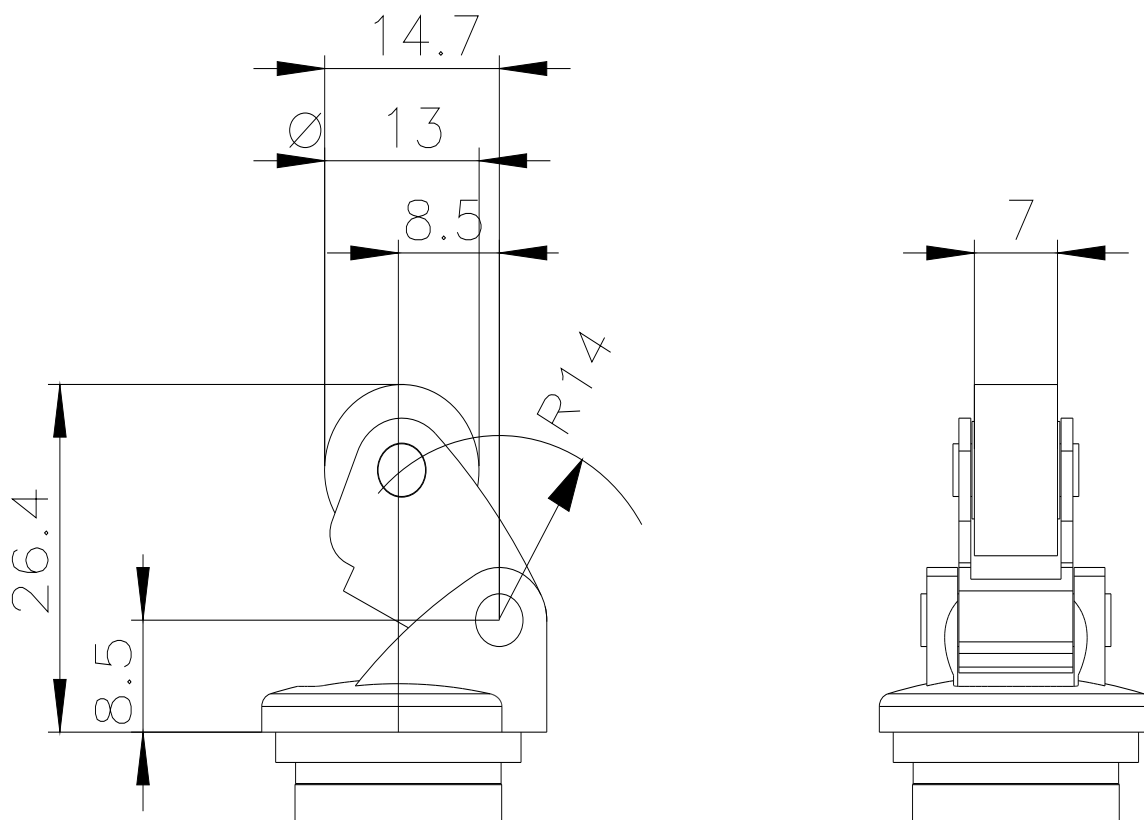
<http://support.automation.siemens.com/WW/CAXorder/default.aspx?lang=en&mlfb=3SE5000-0AE10>

Service&Support (Manuals, Certificates, Characteristics, FAQs,...)

<https://support.industry.siemens.com/cs/ww/en/ps/3SE5000-0AE10>

Image database (product images, 2D dimension drawings, 3D models, device circuit diagrams, EPLAN macros, ...)

http://www.automation.siemens.com/bilddb/cax_de.aspx?mlfb=3SE5000-0AE10&lang=en



last modified:

12/21/2020