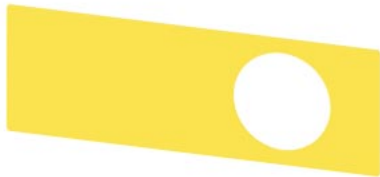






Labeling plate for EMERGENCY STOP mushroom pushbutton in the enclosure, yellow, without inscription, self-adhesive



product brand name	SIRIUS ACT	
product designation	Labeling plate	
design of the product	for enclosures with EMERGENCY STOP	
product type designation	3SU1	
General technical data		
protection class IP	IP66, IP67, IP69(IP69K)	
shock resistance for railway applications according to EN 61373	Category 1, Class B	
vibration resistance for railway applications according to EN 61373	Category 1, Class B	
Substance Prohibition (Date)	10/01/2014	
Weight	1 g	
Ambient conditions		
ambient temperature		
• during operation	70 ... -25 °C	
• during storage and transport	80 ... -40 °C	
Environmental footprint		
Environmental Product Declaration(EPD)	Yes	
global warming potential [CO2 eq] total	0.787 kg	
global warming potential [CO2 eq] during manufacturing	0.566 kg	
global warming potential [CO2 eq] during operation	0.235 kg	
global warming potential [CO2 eq] after end of life	-0.015 kg	
Installation/ mounting/ dimensions		
height	38 mm	
width	112 mm	
Accessories		
material of accessory	Plastic	
fastening method of label	stick	
marking of the name plate for command devices	ohne	
shape of the name plate for command devices	rectangular	
color of the label	yellow (plate); black (font)	
Approvals Certificates		
General Product Approval	Test Certificates	
   	Special Test Certificate Type Test Certificates/Test Report	
Maritime application	other	Environment



[Confirmation](#)



Environment



[Environmental Confirmations](#)

Further information

Information on the packaging

<https://support.industry.siemens.com/cs/ww/en/view/109813875>

Information for data generation and storage

<https://support.industry.siemens.com/cs/ww/en/view/109995012>

Information- and Downloadcenter (Catalogs, Brochures,...)

<https://www.siemens.com/ic10>

Industry Mall (Online ordering system)

<https://mall.industry.siemens.com/mall/en/en/Catalog/product?mlfb=3SU1900-0BE31-0AA0>

Cax online generator

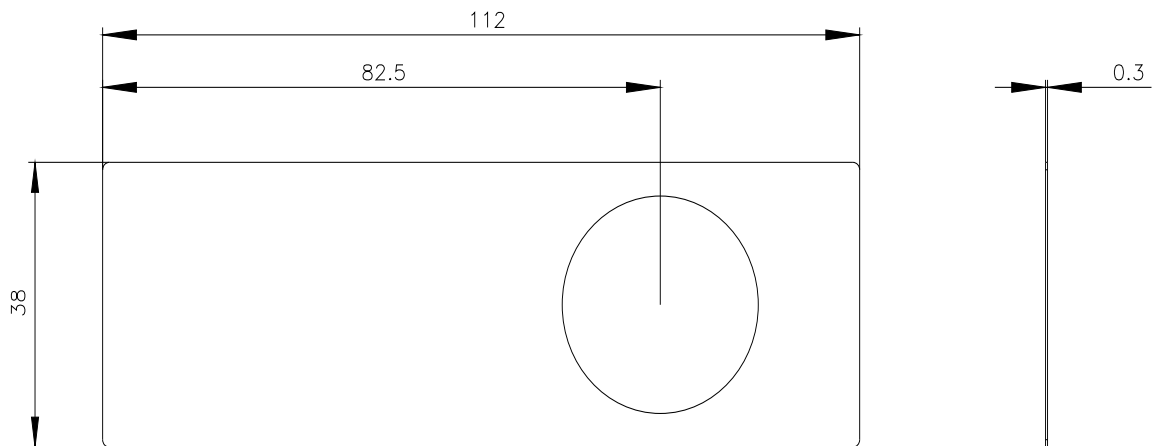
<http://support.automation.siemens.com/WWW/CAXorder/default.aspx?lang=en&mlfb=3SU1900-0BE31-0AA0>

Service&Support (Manuals, Certificates, Characteristics, FAQs,...)

<https://support.industry.siemens.com/cs/ww/en/ps/3SU1900-0BE31-0AA0>

Image database (product images, 2D dimension drawings, 3D models, device circuit diagrams, EPLAN macros, ...)

http://www.automation.siemens.com/bilddb/cax_de.aspx?mlfb=3SU1900-0BE31-0AA0&lang=en



last modified:

4/2/2025