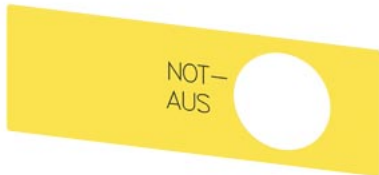






Labeling plate for EMERGENCY STOP mushroom pushbutton in the enclosure, yellow, with inscription: NOT-AUS, self-adhesive



product brand name	SIRIUS ACT	
product designation	Labeling plate	
design of the product	for enclosures with EMERGENCY STOP	
product type designation	3SU1	
<b>General technical data</b>		
protection class IP	IP66, IP67, IP69(IP69K)	
shock resistance for railway applications according to EN 61373	Category 1, Class B	
vibration resistance for railway applications according to EN 61373	Category 1, Class B	
Substance Prohibittance (Date)	10/01/2014	
Weight	2 g	
<b>Ambient conditions</b>		
ambient temperature		
• during operation	70 ... -25 °C	
• during storage and transport	80 ... -40 °C	
<b>Environmental footprint</b>		
Environmental Product Declaration(EPD)	Yes	
global warming potential [CO2 eq] total	0.787 kg	
global warming potential [CO2 eq] during manufacturing	0.566 kg	
global warming potential [CO2 eq] during operation	0.235 kg	
global warming potential [CO2 eq] after end of life	-0.015 kg	
<b>Installation/ mounting/ dimensions</b>		
height	38 mm	
width	112 mm	
<b>Accessories</b>		
material of accessory	Plastic	
fastening method of label	stick	
marking of the name plate for command devices	NOT-AUS	
shape of the name plate for command devices	rectangular	
color of the label	yellow (plate); black (font)	
<b>Approvals Certificates</b>		
General Product Approval	Test Certificates	
   	<a href="#">Type Test Certificates/Test Report</a> <a href="#">Special Test Certificate</a>	
Maritime application	other	Environment



[Confirmation](#)



## Environment



[Environmental Confirmations](#)

## Further information

Information on the packaging

<https://support.industry.siemens.com/cs/ww/en/view/109813875>

Information for data generation and storage

<https://support.industry.siemens.com/cs/ww/en/view/109995012>

Information- and Downloadcenter (Catalogs, Brochures,...)

<https://www.siemens.com/ic10>

Industry Mall (Online ordering system)

<https://mall.industry.siemens.com/mall/en/en/Catalog/product?mlfb=3SU1900-0BE31-0AS0>

Cax online generator

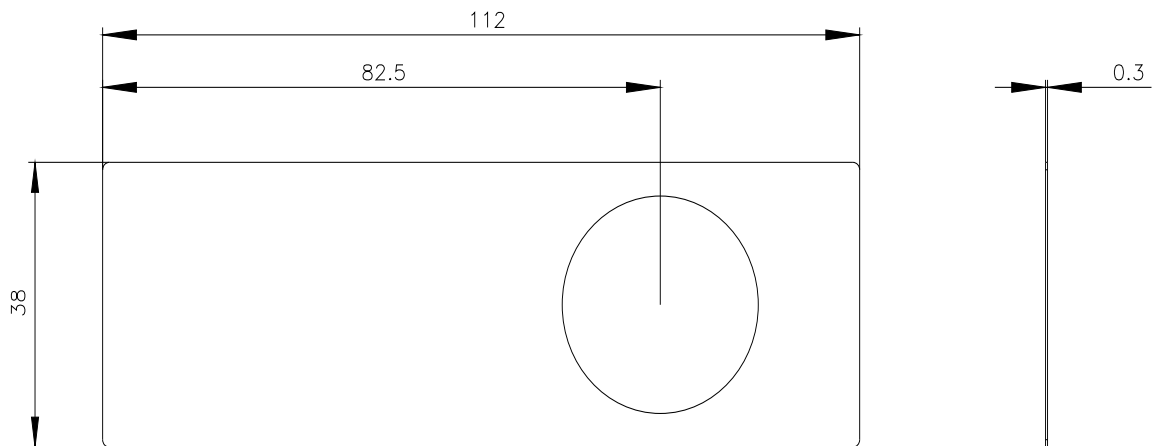
<http://support.automation.siemens.com/WWW/CAXorder/default.aspx?lang=en&mlfb=3SU1900-0BE31-0AS0>

Service&Support (Manuals, Certificates, Characteristics, FAQs,...)

<https://support.industry.siemens.com/cs/ww/en/ps/3SU1900-0BE31-0AS0>

Image database (product images, 2D dimension drawings, 3D models, device circuit diagrams, EPLAN macros, ...)

[http://www.automation.siemens.com/bilddb/cax\\_de.aspx?mlfb=3SU1900-0BE31-0AS0&lang=en](http://www.automation.siemens.com/bilddb/cax_de.aspx?mlfb=3SU1900-0BE31-0AS0&lang=en)



last modified:

4/2/2025