

Siemens
EcoTech



circuit breaker 3VA6 UL Frame 150 breaking capacity class M 35 kA @ 480 V 3-pole, line protection ETU320, LI, In=150 A overload protection Ir=60 A...150 A short-circuit protection Ii=1.5...10 x In without connection



| Model | |
|--|-----------------------------|
| product brand name | SENTRON |
| product designation | Molded-case circuit breaker |
| product designation / according to UL file | MDAE |
| design of the product | System protection |
| design of the load switch / according to UL 489 / Heating, Air Conditioning, and Refrigeration circuit breaker (HACR Type) | Yes |
| design of the overcurrent release | ETU320 |
| protection function of the overcurrent release | LI |
| number of poles | 3 |
| General technical data | |
| insulation voltage / rated value | 800 V |
| operating voltage / at AC / rated value | 690 V |
| power loss [W] / maximum | 29 W |
| power loss [W] / for rated value of the current / at AC / in hot operating state / per pole | 9.67 W |
| mechanical service life (operating cycles) / typical | 25 000 |
| electrical endurance (operating cycles) / at AC-1 / at 380/415 V | 14 000 |
| electrical endurance (operating cycles) / at AC-1 / at 690 V | 9 800 |
| electrical endurance (operating cycles) / at 480 V | 14 000 |
| electrical endurance (operating cycles) / at 600 V | 9 800 |
| product feature / for neutral conductors / upgradable/retrofitable / short-circuit and overload proof | No |
| ground-fault monitoring version | without |
| product function | |
| • communication function | No |
| • other measurement function | No |
| Net Weight | 2.063 kg |
| Current | |
| marking / according to UL 489 / 100%-rated breaker | No |
| operational current | |
| • at 40 °C | 150 A |
| • at 45 °C | 150 A |
| • at 50 °C | 150 A |
| • at 55 °C | 145 A |
| • at 60 °C | 139 A |
| • at 65 °C | 133 A |
| • at 70 °C | 128 A |

Switching capacity according to IEC 60947

| | |
|---|----------------------------|
| switching capacity class of the circuit breaker | M |
| maximum short-circuit current breaking capacity (I _{cu}) <ul style="list-style-type: none">• at 240 V• at 415 V• at 690 V | 85 kA 55 kA 2.5 kA |
| operating short-circuit current breaking capacity (I _{cs}) <ul style="list-style-type: none">• at 240 V• at 415 V• at 690 V | 85 kA 55 kA 2.5 kA |
| short-circuit current making capacity (I _{cm}) <ul style="list-style-type: none">• at 240 V• at 415 V• at 690 V | 187 kA 121 kA 3.8 kA |

Switching capacity according to UL 489

| | |
|--|--------------------------|
| current breaking capacity <ul style="list-style-type: none">• at 240 V• at 480 V• at 600 V | 100 kA 35 kA 18 kA |
|--|--------------------------|

Adjustable parameters

| | |
|---|------------------|
| adjustable response value setting current (I _r) / of the L-trip / with I _{2t} characteristic <ul style="list-style-type: none">• minimum• maximum | 60 A 150 A |
| adjustable response value delay time (t _r) / for L-tripping / with I _{2t} characteristic <ul style="list-style-type: none">• minimum• maximum | 0.5 s 17 s |
| adjustable response value setting current (I _i) / for I-tripping <ul style="list-style-type: none">• minimum• maximum | 225 A 1 500 A |
| adjustable setting current (I _n) / for N-tripping <ul style="list-style-type: none">• minimum• maximum | 0 A 0 A |
| product function / grounding protection | No |

Mechanical Design

| | |
|---|----------------|
| product component <ul style="list-style-type: none">• undervoltage release• voltage trigger• trip indicator | No No No |
| height [in] | 7.8 in |
| height | 198 mm |
| width [in] | 4.13 in |
| width | 105 mm |
| depth [in] | 3.39 in |
| depth | 86 mm |

Connections

| | |
|---|--------------------|
| arrangement of electrical connectors / for main current circuit | Without connection |
| type of electrical connection / for main current circuit | Without |

Auxiliary circuit

| | |
|--|---|
| number of CO contacts / for auxiliary contacts | 0 |
|--|---|

Accessories

| | |
|--|-----|
| product extension / optional / motor drive | Yes |
|--|-----|

Environmental conditions

| | |
|---|------------------------------------|
| protection class IP / on the front | IP40 |
| ambient temperature <ul style="list-style-type: none">• during operation / minimum• during operation / maximum• during storage / minimum• during storage / maximum | -25 °C 70 °C -40 °C 80 °C |

Environmental footprint

| | |
|--|-----------------|
| Global Warming Potential [CO2 eq] / total | 61.814 kg |
| Global Warming Potential [CO2 eq] / during manufacturing | 14.6 kg |
| Global Warming Potential [CO2 eq] / during operation | 48.9 kg |
| Global Warming Potential [CO2 eq] / after end of life | -2.2 kg |
| Siemens Eco Profile (SEP) | Siemens EcoTech |
| reference code / according to IEC 81346-2 | Q |

Approvals / Certificates

General Product Approval



[Confirmation](#)



General Product Approval

EMV

Test Certificates

Marine / Shipping



[Miscellaneous](#)



[Type Test Certificates/Test Report](#)



Marine / Shipping

other



[Confirmation](#)

[Miscellaneous](#)

other

Dangerous goods

Environment

[Miscellaneous](#)

[Transport Information](#)



Siemens EcoTech



[Environmental Confirmations](#)

Further information

Information on the packaging

<https://support.industry.siemens.com/cs/ww/en/view/109813875>

Information- and Downloadcenter (Catalogs, Brochures,...)

<http://www.siemens.com/lowvoltage/catalogs>

Industry Mall (Online ordering system)

<https://mall.industry.siemens.com/mall/en/en/Catalog/product?mlfb=3VA6115-5HL31-0AA0>

Service&Support (Manuals, Certificates, Characteristics, FAQs,...)

<https://support.industry.siemens.com/cs/ww/en/ps/3VA6115-5HL31-0AA0>

Image database (product images, 2D dimension drawings, 3D models, device circuit diagrams, ...)

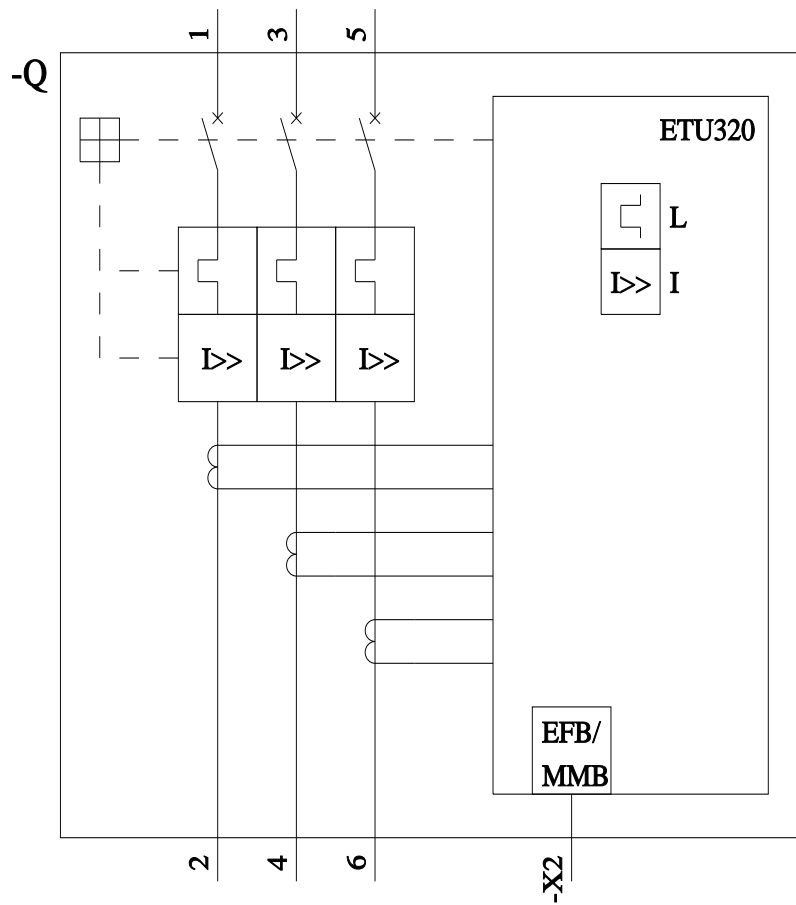
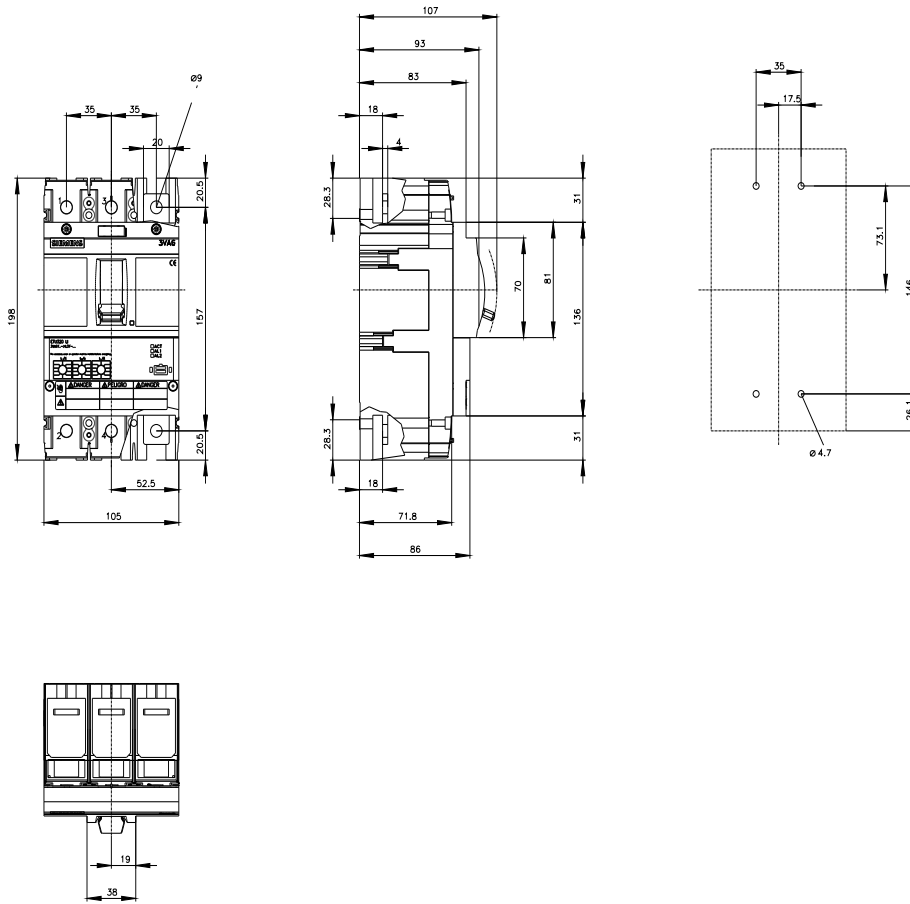
http://www.automation.siemens.com/bilddb/cax_en.aspx?mlfb=3VA6115-5HL31-0AA0

CAX-Online-Generator

<http://www.siemens.com/cax>

Tender specifications

<http://www.siemens.com/specifications>





last modified:

10/24/2024 