



circuit breaker 3VA6 UL frame 2000 breaking capacity class H 65kA @ 480 V 3-pole, line protection ETU860, LSIG, In=2000A overload protection Ir=800A - 2000A short circuit protection Isd=0,6-10x In, li=1,5-6x In w/o connection Product is not marked with CE, not for use in Europe (EU) and in IEC applications

Model	
product brand name	SENTRON
product designation	Molded-case circuit breaker
product designation / according to UL file	HRAE
design of the product	System protection
design of the load switch / according to UL 489 / Heating, Air Conditioning, and Refrigeration circuit breaker (HACR Type)	Yes
design of the overcurrent release	ETU860
protection function of the overcurrent release	LSIG
number of poles	3
General technical data	
operating voltage / at AC / rated value	600 V
power loss [W] / maximum	676 W
power loss [W] / for rated value of the current / at AC / in hot operating state / per pole	676 W
mechanical service life (operating cycles) / typical	3 000
electrical endurance (operating cycles) / at 480 V	500
electrical endurance (operating cycles) / at 600 V	500
product feature / for neutral conductors / upgradable/retrofitable / short-circuit and overload proof	Yes
ground-fault monitoring version	Summation current formation L + N-conductor
product function	
• communication function	Yes
• other measurement function	Yes
Net Weight	26.1 kg
Current	
marking / according to UL 489 / 100%-rated breaker	No
operational current	
• at 40 °C	2 000 A
Switching capacity according to IEC 60947	
switching capacity class of the circuit breaker	H
Switching capacity according to UL 489	
current breaking capacity	
• at 240 V	100 kA
• at 480 V	65 kA
• at 600 V	35 kA
Adjustable parameters	
adjustable response value setting current (Ir) / of the L-trip / with I2t characteristic	
• minimum	800 A
• maximum	2 000 A

adjustable response value delay time (tr) / for L-tripping / with I2t characteristic	
• minimum	2.5 s
• maximum	30 s
adjustable response value setting current (I _{sd}) / of S-trip / with I0t characteristic	
• minimum	1 200 A
• maximum	12 000 A
adjustable response value setting current (I _{sd}) / of S-trip / with I2t characteristic	
• minimum	1 200 A
• maximum	12 000 A
adjustable response value delay time (tsd) / for S-tripping / with I0t characteristic	
• minimum	0.05 s
• maximum	0.5 s
adjustable response value delay time (tsd) / for S-tripping / with I2t characteristic	
• minimum	0.05 s
• maximum	0.5 s
adjustable response value setting current (I _I) / for I-tripping	
• minimum	3 000 A
• maximum	12 000 A
adjustable current response value current / for G-tripping / with standard characteristic	
• initial value	400 A
• full-scale value	1 200 A
adjustable response value delay time (tg) / for G-tripping / with I0t characteristic	
• minimum	0.05 s
• maximum	0.8 s
adjustable response value setting current (I _g) / for G-tripping / with I2t characteristic	
• minimum	400 A
• maximum	1 200 A
adjustable response value delay time (tg) / for G-tripping / with I2t characteristic	
• minimum	0.05 s
• maximum	0.8 s
design of the N-conductor protection	adjustable OFF; 20% to 160%
product function / grounding protection	Yes
Mechanical Design	
product component	
• undervoltage release	No
• trip indicator	No
height [in]	8.14 in
height	206.9 mm
width [in]	8.99 in
width	228.4 mm
depth [in]	16 in
depth	406.4 mm
Connections	
type of electrical connection / for main current circuit	without terminals
design of the surface / of the connections / on the top of the switch (N, 1, 3, 5)	silver
design of the surface / of the connections / on the bottom of the switch (N, 2, 4, 6)	silver
Auxiliary circuit	
number of CO contacts / for auxiliary contacts	0
Environmental conditions	
protection class IP / on the front	IP40
ambient temperature	
• during operation / minimum	-25 °C
• during operation / maximum	70 °C

- during storage / minimum
- during storage / maximum

-40 °C
80 °C

reference code / according to IEC 81346-2

F

Approvals / Certificates

General Product Approval	EMV	other
--------------------------	-----	-------



Miscellaneous



Confirmation

other	Dangerous goods	Environment
-------	-----------------	-------------

Miscellaneous

Transport Information

Environmental Con-
firmations

Further information

Information on the packaging

<https://support.industry.siemens.com/cs/ww/en/view/109813875>

Information for data generation and storage

<https://support.industry.siemens.com/cs/ww/en/view/109995012>

Information- and Downloadcenter (Catalogs, Brochures,...)

<http://www.siemens.com/lowvoltage/catalogs>

Industry Mall (Online ordering system)

<https://mall.industry.siemens.com/mall/en/en/Catalog/product?mifb=3VA6920-6KQ31-0AA0>

Service&Support (Manuals, Certificates, Characteristics, FAQs,...)

<https://support.industry.siemens.com/cs/ww/en/ps/3VA6920-6KQ31-0AA0>

Image database (product images, 2D dimension drawings, 3D models, device circuit diagrams, ...)

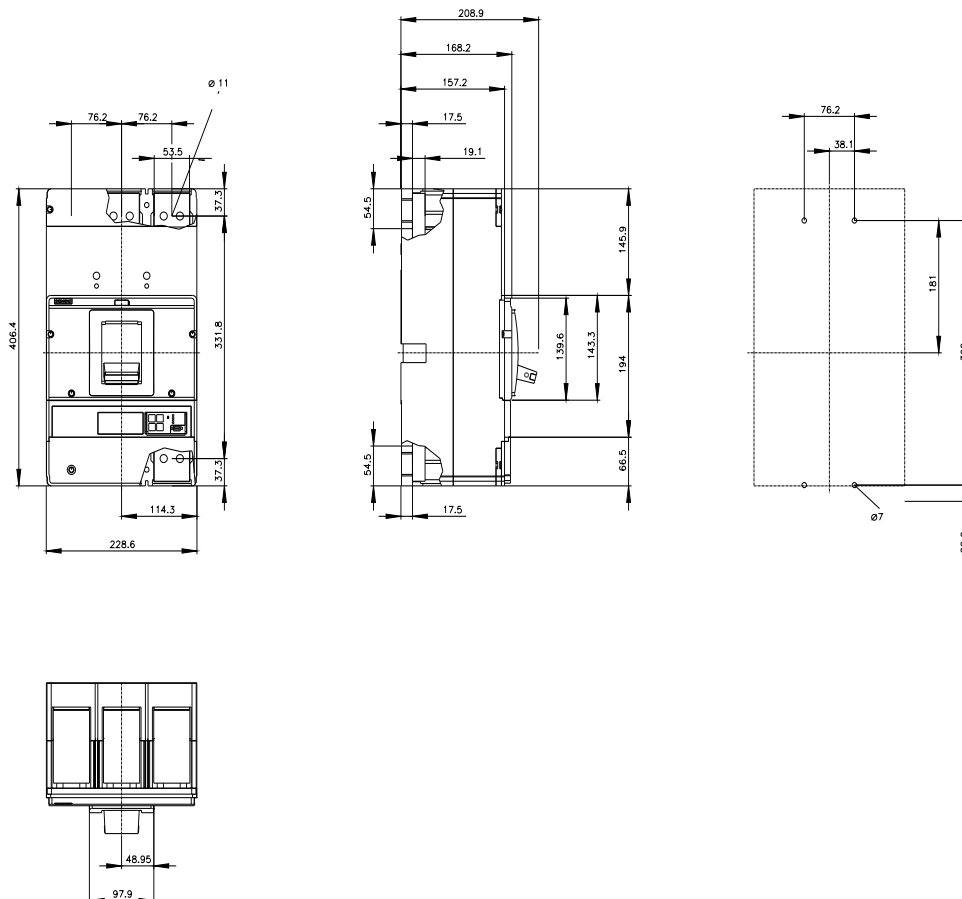
http://www.automation.siemens.com/bilddb/cax_en.aspx?mifb=3VA6920-6KQ31-0AA0

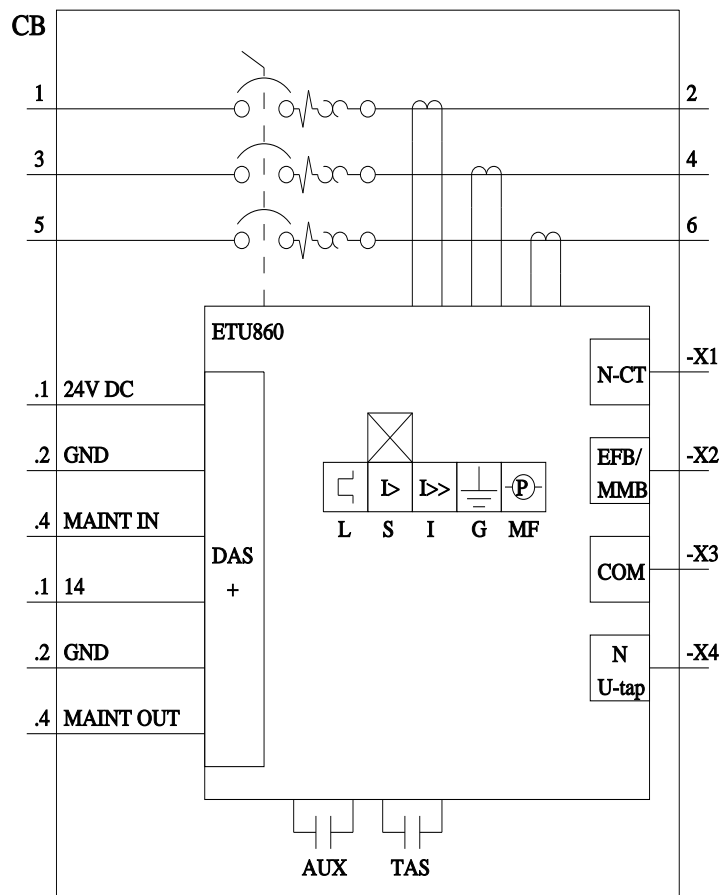
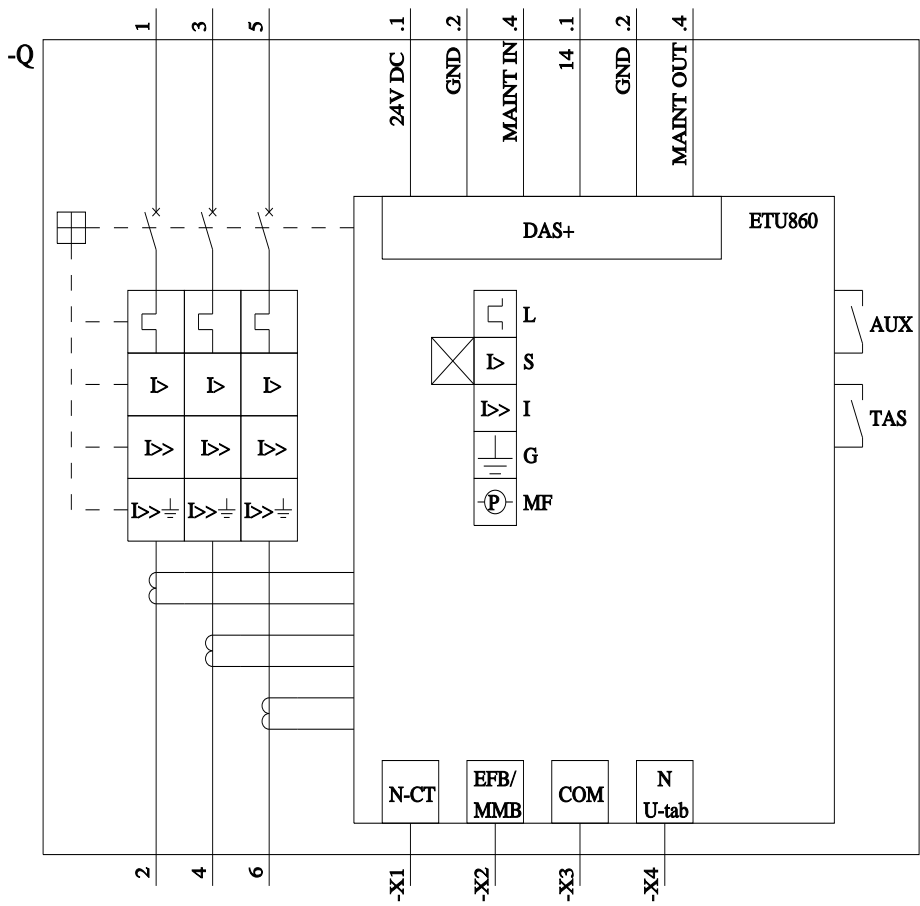
CAX-Online-Generator

<http://www.siemens.com/cax>

Tender specifications

<http://www.siemens.com/specifications>





last modified:

3/31/2025

