

side wall mounted rot. operator standard IEC IP65 accessory for: 3VA51



Model	
product brand name	SETRON
product designation	side wall-mounted rotary operator
accessories	Side panel rotary operating mechanism

General technical data	
degree of protection NEMA rating	1, 3R, 12
protection class IP	IP65

Mechanical Design	
height	70 mm

Certificates	
General Product Approval	EMV



[Miscellaneous](#)



Marine / Shipping	other	Environment			
-------------------	-------	-------------	--	--	--



LRS

[Confirmation](#)

[Miscellaneous](#)

[Miscellaneous](#)

[Environmental Con-
firmations](#)

[Environmental Con-
firmations](#)

Further information

Information on the packaging

<https://support.industry.siemens.com/cs/ww/en/view/109813875>

Information- and Downloadcenter (Catalogs, Brochures,...)

<http://www.siemens.com/lowvoltage/catalogs>

Industry Mall (Online ordering system)

<https://mall.industry.siemens.com/mall/en/en/Catalog/product?mlfb=3VA9137-0PK11>

Service&Support (Manuals, Certificates, Characteristics, FAQs,...)

<https://support.industry.siemens.com/cs/ww/en/ps/3VA9137-0PK11>

Image database (product images, 2D dimension drawings, 3D models, device circuit diagrams, ...)

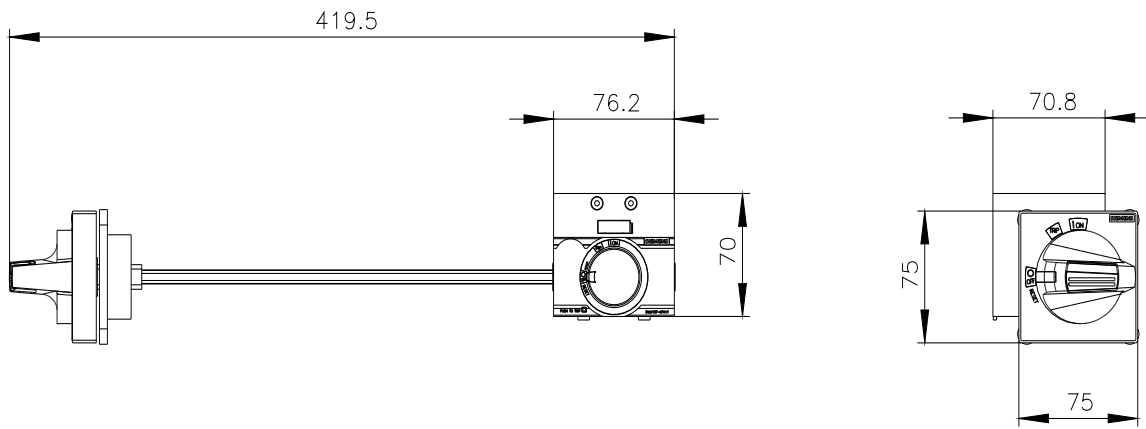
http://www.automation.siemens.com/bilddb/cax_en.aspx?mlfb=3VA9137-0PK11

CAX-Online-Generator

<http://www.siemens.com/cax>

Tender specifications

<http://www.siemens.com/specifications>



last modified:

8/10/2024 