

box terminal TS1.2 3 units 10 AWG...3/0 with control wire voltage tap 3 units
accessory for: 3VA61/62

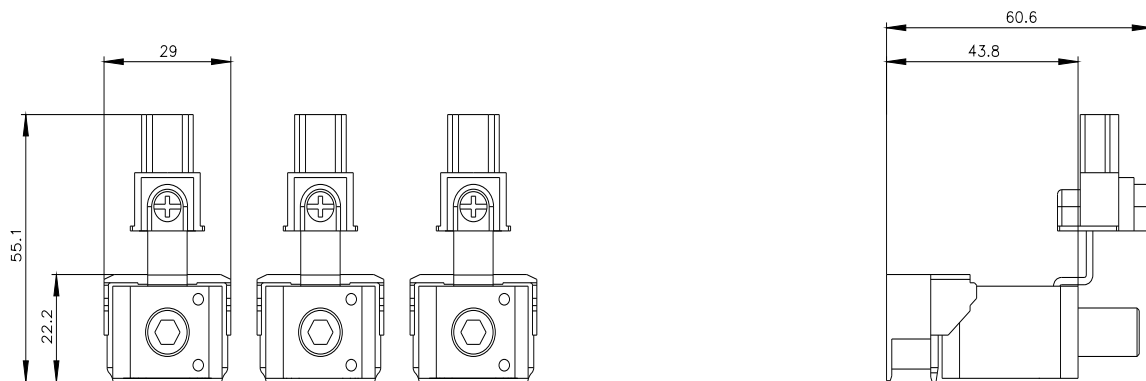


Model		
product brand name	SENTRON	
product designation	Box terminal with voltage tap 3 units	
accessories	Box terminal	
General technical data		
designation / of the terminal	TS1.2	
type of electrical connection / with control wire tap	Yes	
Connections according IEC		
connectable conductor cross-section		
• for copper cable / stranded / minimum	6 mm ²	
• for copper cable / stranded / maximum	120 mm ²	
type of connectable conductor cross-sections / of the laminated conductor rails		
• minimum	3 x 13mm x 0.5mm, 2 x 15.5mm x 0.8mm, 2 x 20mm x 1mm	
• maximum	6 x 13mm x 0.5mm, 6 x 15.5mm x 0.8mm, 6 x 20mm x 1mm	
stripped length	19 mm	
tightening torque / when using copper cables		
• solid	6 - 16 mm ² : 6 Nm	
• stranded	6 - 25 mm ² : 6 Nm; 35 - 120 mm ² : 10 Nm	
• finely stranded	10 - 25 mm ² : 6 Nm 35 - 95 mm ² : 10Nm	
• finely stranded / with core end processing	10 - 25 mm ² : 6 Nm, 35 - 95 mm ² : 10Nm	
Connections according UL		
permissible temperature / of connectable conductor / according to UL 486A-486B	75 °C	
stripped length	0.75 in	
connectable conductor cross-section		
• for copper cable / solid / minimum	10 AWG	
• for copper cable / solid / maximum	10 AWG	
• for copper cable / stranded / minimum	10 AWG	
• for copper cable / stranded / maximum	3/0 AWG	
tightening torque / when using copper cables		
• solid	10 AWG : 105 lb-in	
• stranded	10 - 4 AWG: 105 lb-in, 3 - 3/0 AWG: 140 lb-in	
Certificates		
General Product Approval	EMV	Maritime application



[Miscellaneous](#)



[Confirmation](#)[Miscellaneous](#)[Environmental Con-
firmations](#)[Environmental Con-
firmations](#)**Further information****Information on the packaging**<https://support.industry.siemens.com/cs/ww/en/view/109813875>**Information for data generation and storage**<https://support.industry.siemens.com/cs/ww/en/view/109995012>**Information- and Downloadcenter (Catalogs, Brochures,...)**<http://www.siemens.com/lowvoltage/catalogs>**Industry Mall (Online ordering system)**<https://mall.industry.siemens.com/mall/en/en/Catalog/product?mlfb=3VA9143-0JH12>**Service&Support (Manuals, Certificates, Characteristics, FAQs,...)**<https://support.industry.siemens.com/cs/ww/en/ps/3VA9143-0JH12>**Image database (product images, 2D dimension drawings, 3D models, device circuit diagrams, ...)**http://www.automation.siemens.com/bilddb/cax_en.aspx?mlfb=3VA9143-0JH12**CAX-Online-Generator**<http://www.siemens.com/cax>**Tender specifications**<http://www.siemens.com/specifications>

last modified:

8/8/2025

