

motor operator 24-60 V DC accessory for: 3VA52; 3VA61/62



Model	
product brand name	SETRON
product designation	Motor operator (MO)
accessories	Motorized operating mechanism (MO)
General technical data	
make time / typical	1 s
break time / typical	1 s
Voltage	
type of voltage / of the operating voltage / for actuation	DC
Rated control supply voltage $U_s$ with DC	
• minimum	24 V
• maximal	60 V
operating apparent power	250 VA
Mechanical Design	
height	75 mm
width	105 mm
depth	132 mm
connectable conductor cross-section / solid	
• minimum	1.5 mm <sup>2</sup>
• maximum	2.5 mm <sup>2</sup>
connectable conductor cross-section / finely stranded / with core end processing	
• minimum	1.5 mm <sup>2</sup>
• maximum	2.5 mm <sup>2</sup>
connectable conductor cross-section / stranded	
• minimum	1.5 mm <sup>2</sup>
• maximum	2.5 mm <sup>2</sup>
ambient temperature / during operation	
• minimum	-25 °C
• maximum	70 °C
ambient temperature / during storage	
• minimum	-40 °C
• maximum	80 °C
tightening torque	
• minimum	0.36 N·m
• maximum	0.44 N·m
ambient temperature / during storage	
• minimum	-40 °C
• maximum	80 °C
Connections according IEC	

stripped length 7 mm

**Certificates**

General Product Approval EMV



[Miscellaneous](#)



Test Certificates Marine / Shipping other Dangerous goods

[Type Test Certificates/Test Report](#)



[Confirmation](#)

[Miscellaneous](#)

[Miscellaneous](#)

[Transport Information](#)

**Environment**

[Environmental Confirmations](#)

[Environmental Confirmations](#)

**Further information**

Information on the packaging

<https://support.industry.siemens.com/cs/ww/en/view/109813875>

Information- and Downloadcenter (Catalogs, Brochures,...)

<http://www.siemens.com/lowvoltage/catalogs>

Industry Mall (Online ordering system)

<https://mall.industry.siemens.com/mall/en/en/Catalog/product?mlfb=3VA9277-0HA10>

Service&Support (Manuals, Certificates, Characteristics, FAQs,...)

<https://support.industry.siemens.com/cs/ww/en/ps/3VA9277-0HA10>

Image database (product images, 2D dimension drawings, 3D models, device circuit diagrams, ...)

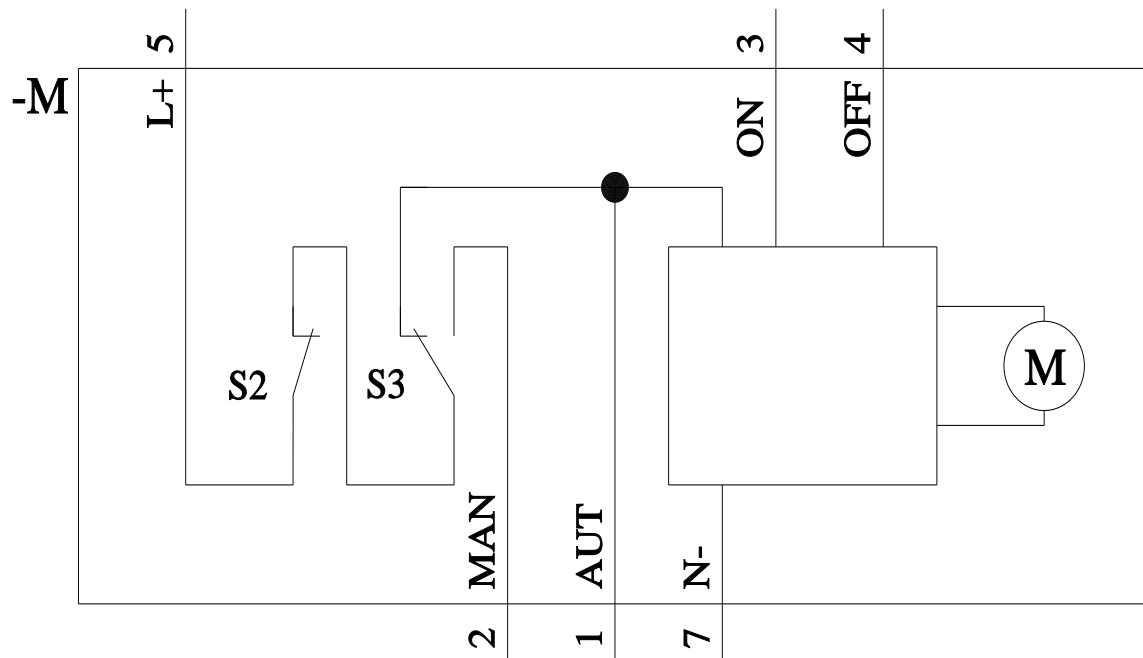
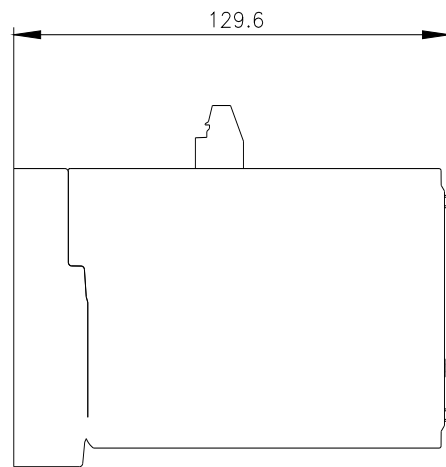
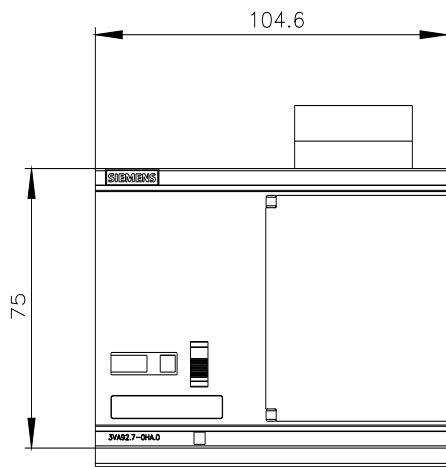
[http://www.automation.siemens.com/bilddb/cax\\_en.aspx?mlfb=3VA9277-0HA10](http://www.automation.siemens.com/bilddb/cax_en.aspx?mlfb=3VA9277-0HA10)

CAX-Online-Generator

<http://www.siemens.com/cax>

Tender specifications

<http://www.siemens.com/specifications>



last modified:

5/26/2024

