




operating unit w. Bowden cable Max-Flex operator, only handle steel handle, epoxy-coated NEMA 1, 12, 3R black = OFF, red = ON only for the UL market only for UL applications not approved for IEC

Model	
product brand name	SETRON
product designation	Operating unit Max-Flex, handle single
accessories	Operating unit
Certificates	
General Product Approval	EMV



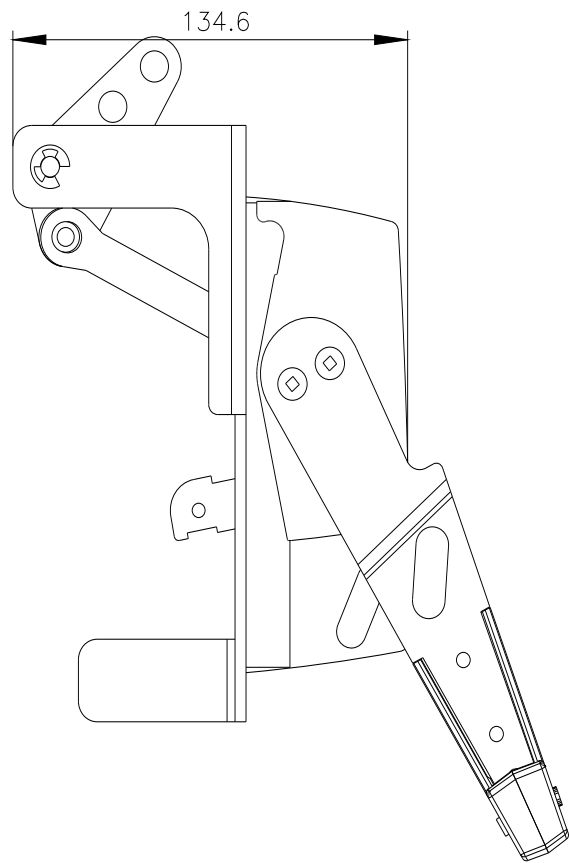
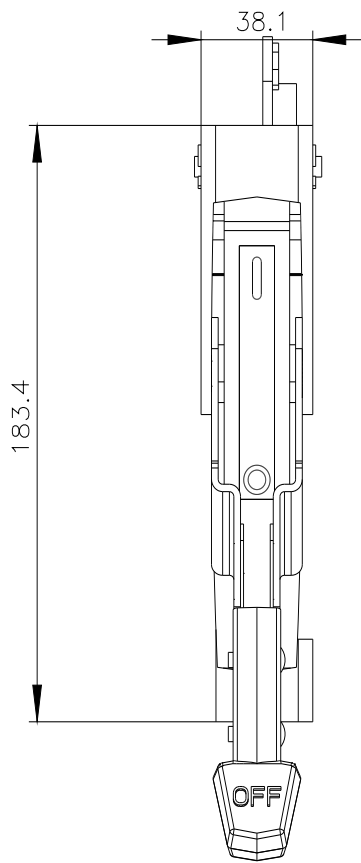
[Miscellaneous](#)



Maritime application	other	Environment			
	Confirmation	Miscellaneous	Environmental Con- firmations	Environmental Con- firmations	

Further information

- Information on the packaging
<https://support.industry.siemens.com/cs/ww/en/view/109813875>
- Information for data generation and storage
<https://support.industry.siemens.com/cs/ww/en/view/109995012>
- Information- and Downloadcenter (Catalogs, Brochures,...)
<http://www.siemens.com/lowvoltage/catalogs>
- Industry Mall (Online ordering system)
<https://mall.industry.siemens.com/mall/en/en/Catalog/product?mlfb=3VA9977-0CH72>
- Service&Support (Manuals, Certificates, Characteristics, FAQs,...)
<https://support.industry.siemens.com/cs/ww/en/ps/3VA9977-0CH72>
- Image database (product images, 2D dimension drawings, 3D models, device circuit diagrams, ...)
http://www.automation.siemens.com/bilddb/cax_en.aspx?mlfb=3VA9977-0CH72
- CAX-Online-Generator
<http://www.siemens.com/cax>
- Tender specifications
<http://www.siemens.com/specifications>



last modified:

5/26/2025 