



N/PE busbar support F R flat copper profiles for 5/10 mm busbars

Model	
product brand name	SENTRON
product designation	Busbar support
General technical data	
number of poles	1
Mechanical Design	
busbar center-to-center spacing	5 mm
net weight	73 g
Approvals Certificates	
General Product Approval	other



[Confirmation](#)



[Confirmation](#)

[Miscellaneous](#)

Environment

[Environmental Con-
firmations](#)

[Environmental Con-
firmations](#)

Further information

Information on the packaging

<https://support.industry.siemens.com/cs/ww/en/view/109813875>

Information- and Downloadcenter (Catalogs, Brochures,...)

<http://www.siemens.com/lowvoltage/catalogs>

Industry Mall (Online ordering system)

<https://mall.industry.siemens.com/mall/en/en/Catalog/product?mlfb=5SH3540>

Service&Support (Manuals, Certificates, Characteristics, FAQs,...)

<https://support.industry.siemens.com/cs/ww/en/ps/5SH3540>

Image database (product images, 2D dimension drawings, 3D models, device circuit diagrams, ...)

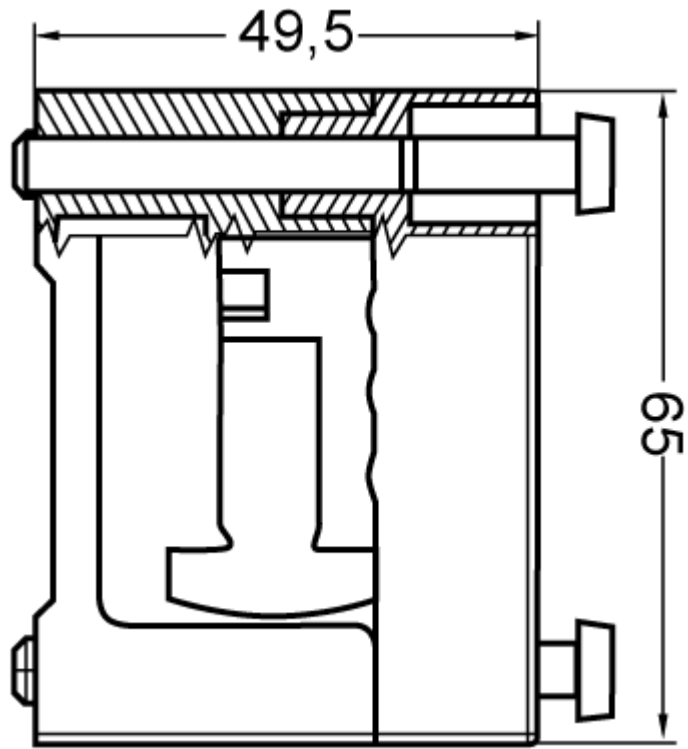
http://www.automation.siemens.com/bilddb/cax_en.aspx?mlfb=5SH3540

CAx-Online-Generator

<http://www.siemens.com/cax>

Tender specifications

<http://www.siemens.com/specifications>



last modified:

7/3/2024 

