



adapter 8x 8 mm Accessory for: Door-coupling rotary mechanism 3VA

Model	
product brand name	SETRON
product designation	Shaft coupling
size of cross-section of the shaft of door-coupling rotary operating mechanism	8x8 mm
suitability for use	for door mounted rotary operator 8x 8 mm
Product details	
product description	8x 8 mm
product component	No
• extension shaft	
Mechanical Design	
height	14.5 mm
width	12 mm
depth	28 mm
net weight	24.5 g

Approvals Certificates	
General Product Approval	Test Certificates



EG-Konf.



UL



VDE



[Type Test Certificates/Test Report](#)

Marine / Shipping	other	Environment
-------------------	-------	-------------



LRS

[Miscellaneous](#)

[Confirmation](#)

[Environmental Confirmations](#)

### Further information

Information on the packaging

<https://support.industry.siemens.com/cs/ww/en/view/109813875>

Information- and Downloadcenter (Catalogs, Brochures,...)

<http://www.siemens.com/lowvoltage/catalogs>

Industry Mall (Online ordering system)

<https://mall.industry.siemens.com/mall/en/en/Catalog/product?mlfb=8UD1900-2DA00>

Service&Support (Manuals, Certificates, Characteristics, FAQs,...)

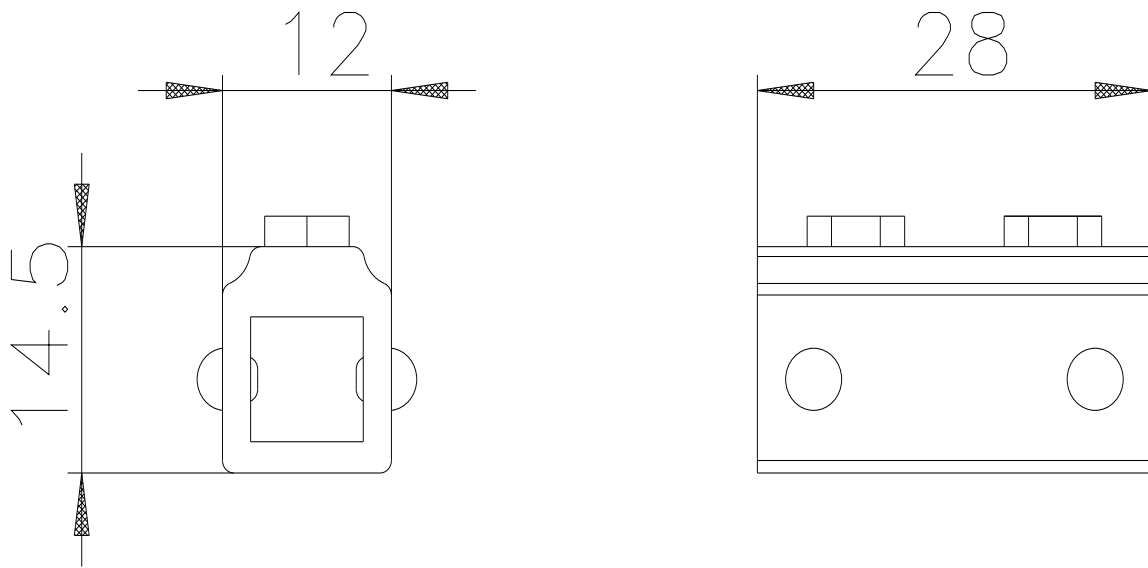
<https://support.industry.siemens.com/cs/ww/en/ps/8UD1900-2DA00>

Image database (product images, 2D dimension drawings, 3D models, device circuit diagrams, ...)

[http://www.automation.siemens.com/bilddb/cax\\_en.aspx?mlfb=8UD1900-2DA00](http://www.automation.siemens.com/bilddb/cax_en.aspx?mlfb=8UD1900-2DA00)

CAx-Online-Generator

<http://www.siemens.com/cax>



---

last modified:

7/29/2022 

