

Door-coupling Size 12x 12, for 3KD



Model	
product brand name	SETRON
product designation	door coupling
design of the product	size 12x 12 mm
size of cross-section of the shaft of door-coupling rotary operating mechanism	12x12 mm
suitability for use	for door mounted rotary operator 3KD/3KF/3KC0 size 5

Product details	
product description	without lighting
product component	
• extension shaft	No

Mechanical Design	
height	90 mm
width	50 mm
depth	50 mm
net weight	100 g

Approvals Certificates	
General Product Approval	Test Certificates



[Type Test Certificates/Test Report](#)

Marine / Shipping	other	Environment
-------------------	-------	-------------



LRS

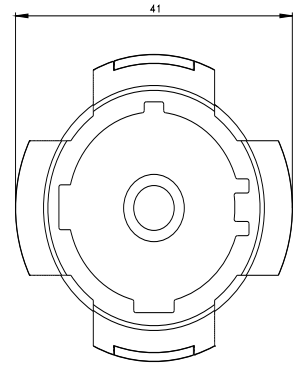
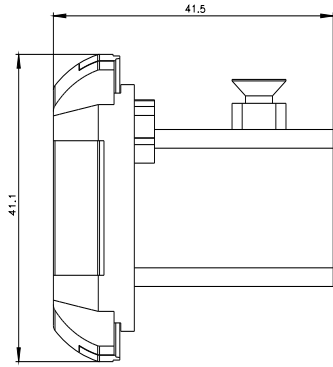
[Confirmation](#)

[Miscellaneous](#)

[Environmental Confirmations](#)

Further information

Information on the packaging
<https://support.industry.siemens.com/cs/ww/en/view/109813875>
 Information- and Downloadcenter (Catalogs, Brochures,...)
<http://www.siemens.com/lowvoltage/catalogs>
 Industry Mall (Online ordering system)
<https://mall.industry.siemens.com/mall/en/en/Catalog/product?mlfb=8UD1900-4HA00>
 Service&Support (Manuals, Certificates, Characteristics, FAQs,...)
<https://support.industry.siemens.com/cs/ww/en/ps/8UD1900-4HA00>
 Image database (product images, 2D dimension drawings, 3D models, device circuit diagrams, ...)
http://www.automation.siemens.com/bilddb/cax_en.aspx?mlfb=8UD1900-4HA00



last modified:

7/29/2022 

