



busbar system busbar center-to-center spacing 60 mm device holder, width: 45 mm busbar thickness: 5.10 mm+TT profile with 1 mounting rail 35 mm, for lateral mounting on adapter 8US12 length 182 mm, UL 508A feeder circuit

Model	
product brand name	SENTRON
product designation	device holder
design of the product	Accessories
number of mounting rails	1

Mechanical Design	
height	182 mm
width of the adapter	45 mm
depth	60 mm
thickness of the busbar	
• minimum	5 mm
busbar center-to-center spacing	60 mm
Net Weight	160 g

Approvals Certificates		
General Product Approval	Test Certificates	other



[Miscellaneous](#)



other	Environment
-------	-------------

[Confirmation](#)

[Miscellaneous](#)

[Environmental Con-  
firmations](#)

[Environmental Con-  
firmations](#)

### Further information

**Information on the packaging**

<https://support.industry.siemens.com/cs/ww/en/view/109813875>

**Information- and Downloadcenter (Catalogs, Brochures,...)**

<http://www.siemens.com/lowvoltage/catalogs>

**Industry Mall (Online ordering system)**

<https://mall.industry.siemens.com/mall/en/en/Catalog/product?mlfb=8US1250-5AM00>

**Service&Support (Manuals, Certificates, Characteristics, FAQs,...)**

<https://support.industry.siemens.com/cs/ww/en/ps/8US1250-5AM00>

**Image database (product images, 2D dimension drawings, 3D models, device circuit diagrams, ...)**

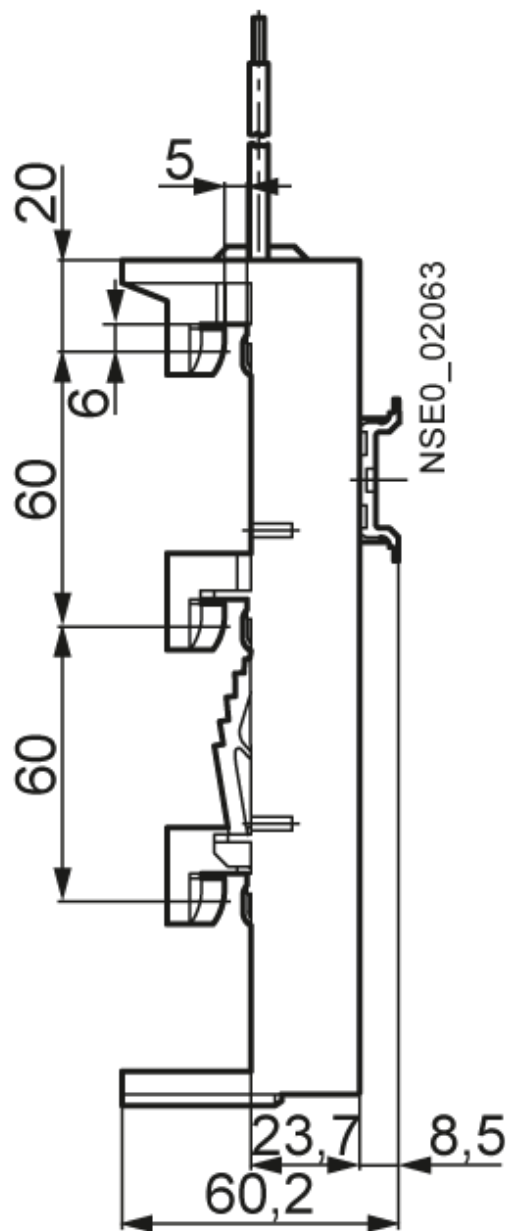
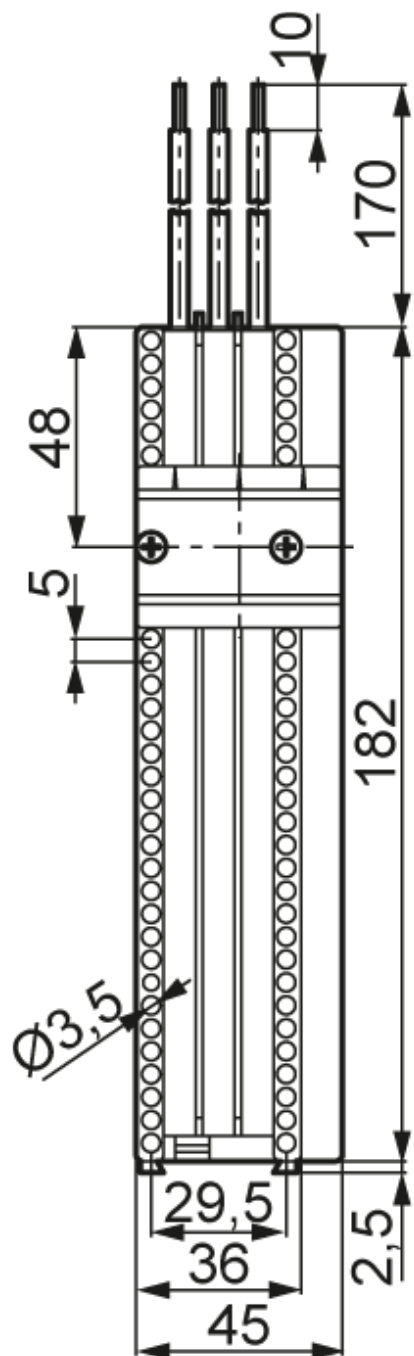
[http://www.automation.siemens.com/bilddb/cax\\_en.aspx?mlfb=8US1250-5AM00](http://www.automation.siemens.com/bilddb/cax_en.aspx?mlfb=8US1250-5AM00)

**CAX-Online-Generator**

<http://www.siemens.com/cax>

**Tender specifications**

<http://www.siemens.com/specifications>



last modified:

4/4/2025 

