



busbar system busbar center-to-center spacing 60 mm device adapter, width: 45 mm busbar thickness: 5.10 mm+TT profile for circuit breaker, contactor overload relay, motor feeders S00, S0, length 182 mm with 1 mounting rail 35 mm, up to 25 A

Model	
product brand name	SENTRON
product designation	Device adapter
design of the product	Accessories
number of mounting rails	1

Mechanical Design	
height	182 mm
width of the adapter	45 mm
depth	60 mm
thickness of the busbar	
• minimum	5 mm
busbar center-to-center spacing	60 mm
Net Weight	175 g

Approvals Certificates		
General Product Approval	Test Certificates	other



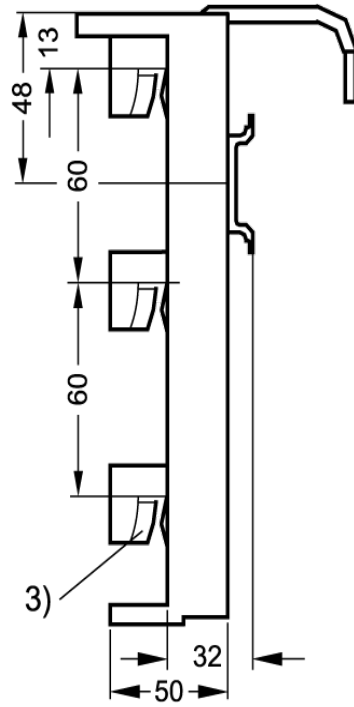
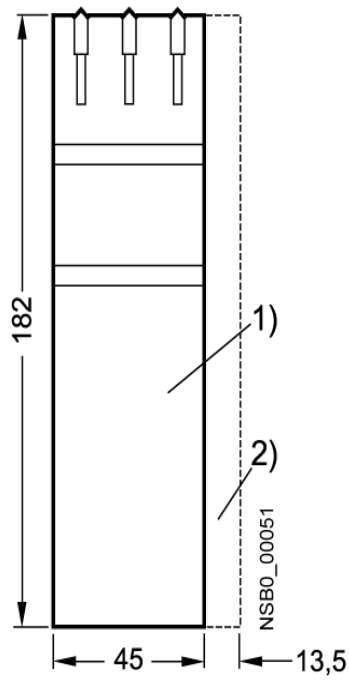
[Miscellaneous](#)



other	Environment
<p><a href="#">Miscellaneous</a></p>	<p><a href="#">Confirmation</a></p> <p><a href="#">Environmental Con- firmations</a></p> <p><a href="#">Environmental Con- firmations</a></p>

### Further information

Information on the packaging  
<https://support.industry.siemens.com/cs/ww/en/view/109813875>  
 Information- and Downloadcenter (Catalogs, Brochures,...)  
<http://www.siemens.com/lowvoltage/catalogs>  
 Industry Mall (Online ordering system)  
<https://mall.industry.siemens.com/mall/en/en/Catalog/product?mlfb=8US1251-5DM07>  
 Service&Support (Manuals, Certificates, Characteristics, FAQs,...)  
<https://support.industry.siemens.com/cs/ww/en/ps/8US1251-5DM07>  
 Image database (product images, 2D dimension drawings, 3D models, device circuit diagrams, ...)  
[http://www.automation.siemens.com/bilddb/cax\\_en.aspx?mlfb=8US1251-5DM07](http://www.automation.siemens.com/bilddb/cax_en.aspx?mlfb=8US1251-5DM07)  
 CAx-Online-Generator  
<http://www.siemens.com/cax>  
 Tender specifications  
<http://www.siemens.com/specifications>



- ① **Sammelschienenadapter**  
für 60 mm - Schienensysteme  
8US12 51-5DM07
- ② **Seitenmodul**  
für 60 mm - Schienensysteme  
8US19 98-2BM00
- ③ für Sammelschiene  
Breite: 12 bis 30 mm  
Dicke: 5 und 10 mm

last modified:

4/11/2025

