



busbar system busbar center-to-center spacing 60 mm device adapter, width: 55 mm busbar thickness: 5.10 mm+TT profile for contactor with overload relay 3R, S2 with 1 mounting rail 35 mm, up to 56 A length 182 mm

Model	
product brand name	SETRON
product designation	Device adapter
design of the product	Accessories
number of mounting rails	1

Mechanical Design	
height	200 mm
width of the adapter	63 mm
depth	63 mm
thickness of the busbar	
• minimum	5 mm
• maximum	10 mm
busbar center-to-center spacing	60 mm
Net Weight	258 g

Approvals Certificates			
General Product Approval	Test Certificates	Maritime application	other



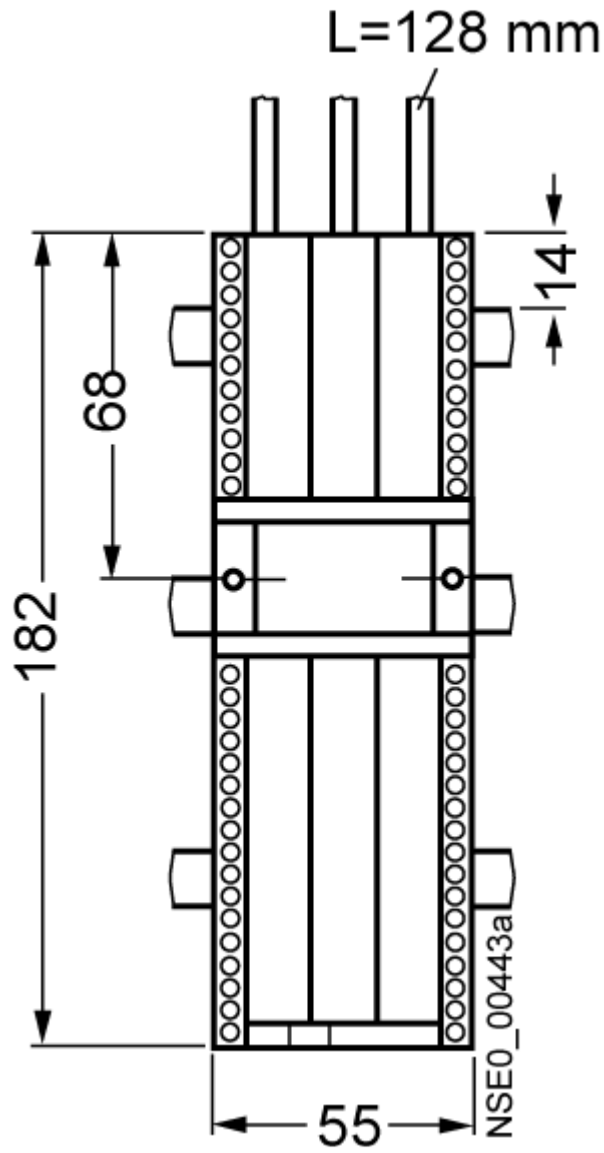
[Miscellaneous](#)



other	Environment
Confirmation	Environmental Con- firmations
Miscellaneous	Environmental Con- firmations

Further information

- Information on the packaging
<https://support.industry.siemens.com/cs/ww/en/view/109813875>
- Information- and Downloadcenter (Catalogs, Brochures,...)
<http://www.siemens.com/lowvoltage/catalogs>
- Industry Mall (Online ordering system)
<https://mall.industry.siemens.com/mall/en/en/Catalog/product?mlfb=8US1261-5FM08>
- Service&Support (Manuals, Certificates, Characteristics, FAQs,...)
<https://support.industry.siemens.com/cs/ww/en/ps/8US1261-5FM08>
- Image database (product images, 2D dimension drawings, 3D models, device circuit diagrams, ...)
http://www.automation.siemens.com/bilddb/cax_en.aspx?mlfb=8US1261-5FM08
- CAX-Online-Generator
<http://www.siemens.com/cax>
- Tender specifications



last modified:

4/11/2025 

