



plug-in relay complete unit, 1 changeover contact, 115 V AC, LED module red, base with logical isolation, spring-loaded terminal (push-in)

product brand name	SIRIUS
product designation	Coupling relay with plug-in relay
product type designation	LZS
<b>General technical data</b>	
display version LED	Yes
percental drop-out voltage related to the input voltage	15 %
operating frequency without load	36 000 1/h
operating frequency with load	360 1/h
switching behavior	monostable
mechanical service life (operating cycles) typical	10 000 000
electrical endurance (operating cycles) at AC-15 at 230 V typical	70 000
thermal current	16 A
reference code according to IEC 81346-2	K
Substance Prohibitance (Date)	05/01/2012
Weight	0.06 kg
<b>Control circuit/ Control</b>	
control supply voltage at AC	
• at 50 Hz rated value	115 V
• at 60 Hz rated value	115 V
control supply voltage frequency	
• 1 rated value	50 Hz
• 2 rated value	60 Hz
supply voltage frequency for auxiliary and control circuit rated value	50 ... 60 Hz
operating range factor control supply voltage rated value at AC at 50 Hz	
• initial value	0.9
• full-scale value	1.1
operating range factor control supply voltage rated value at AC at 60 Hz	
• initial value	0.9
• full-scale value	1.1
<b>Switching Function</b>	
design of the switching function	changeover switch
<b>Mechanical data</b>	
product component plug-in socket	Yes
design of the snap-on socket base	Socket with logic isolation
design of the relay operating mechanism	poled
<b>Short-circuit protection</b>	
design of the fuse link for short-circuit protection of the auxiliary	fuse gG: 10 A

switch required		
<b>Auxiliary circuit</b>		
<b>type of switching contact</b>	Changeover contact	
<b>material of switching contacts</b>	AgNi 90/10	
<b>number of NC contacts for auxiliary contacts</b>	0	
<b>number of NO contacts for auxiliary contacts</b>	0	
<b>number of CO contacts for auxiliary contacts</b>	1	
<b>Main circuit</b>		
<b>type of voltage</b>	AC	
<b>Display</b>		
display version as status display by LED	LED red	
<b>Connections/ Terminals</b>		
<b>product function removable terminal</b>	No	
<b>type of electrical connection</b>	spring-loaded terminals	
<b>type of connectable conductor cross-sections</b>		
<ul style="list-style-type: none"> <li>• solid</li> <li>• finely stranded with core end processing</li> <li>• finely stranded without core end processing</li> <li>• for AWG cables solid</li> <li>• for AWG cables stranded</li> </ul>	<ul style="list-style-type: none"> <li>1x (0,75 ... 1,5), 2x (0,75 ... 1,0), 2x 1,5</li> <li>1x (0,75 ... 1,5), 2x 0,75</li> <li>1x (0,75 ... 1,5), 2x (0,75 ... 1,0), 2x 1,5</li> <li>1x (18 ... 16), 2x (18 ... 16)</li> <li>1x (18 ... 16), 2x (18 ... 16)</li> </ul>	
<b>connectable conductor cross-section</b>		
<ul style="list-style-type: none"> <li>• solid</li> <li>• finely stranded with core end processing</li> <li>• finely stranded without core end processing</li> </ul>	<ul style="list-style-type: none"> <li>0.75 ... 1.5 mm<sup>2</sup></li> <li>0.75 ... 1.5 mm<sup>2</sup></li> <li>0.75 ... 1.5 mm<sup>2</sup></li> </ul>	
<b>AWG number as coded connectable conductor cross section</b>		
<ul style="list-style-type: none"> <li>• solid</li> <li>• stranded</li> </ul>	<ul style="list-style-type: none"> <li>18 ... 16</li> <li>18 ... 16</li> </ul>	
<b>Installation/ mounting/ dimensions</b>		
<b>mounting position</b>	any	
<b>fastening method</b>	snap-on mounting	
<b>height</b>	98 mm	
<b>width</b>	15.5 mm	
<b>depth</b>	71 mm	
<b>required spacing</b>		
<ul style="list-style-type: none"> <li>• with side-by-side mounting <ul style="list-style-type: none"> <li>— forwards</li> <li>— backwards</li> <li>— upwards</li> <li>— downwards</li> <li>— at the side</li> </ul> </li> <li>• for grounded parts <ul style="list-style-type: none"> <li>— forwards</li> <li>— backwards</li> <li>— upwards</li> <li>— at the side</li> <li>— downwards</li> </ul> </li> <li>• for live parts <ul style="list-style-type: none"> <li>— forwards</li> <li>— backwards</li> <li>— upwards</li> <li>— downwards</li> <li>— at the side</li> </ul> </li> </ul>	<ul style="list-style-type: none"> <li>0 mm</li> <li>0 mm</li> <li>0 mm</li> <li>0 mm</li> <li>0 mm</li> <li>0 mm</li> <li>0 mm</li> <li>0 mm</li> <li>0 mm</li> <li>0 mm</li> <li>0 mm</li> <li>0 mm</li> <li>0 mm</li> <li>0 mm</li> <li>0 mm</li> <li>0 mm</li> <li>0 mm</li> <li>0 mm</li> <li>0 mm</li> </ul>	
<b>Ambient conditions</b>		
<b>ambient temperature</b>		
<ul style="list-style-type: none"> <li>• during operation</li> <li>• during storage</li> <li>• during transport</li> </ul>	<ul style="list-style-type: none"> <li>-40 ... +70 °C</li> <li>-20 ... +70 °C</li> <li>-20 ... +70 °C</li> </ul>	
<b>Approvals Certificates</b>		
<b>General Product Approval</b>	<b>Test Certificates</b>	<b>other</b>



[Type Test Certificates/Test Report](#)



other

Environment

[Confirmation](#)

[Environmental Confirmations](#)

### Further information

Information on the packaging

<https://support.industry.siemens.com/cs/ww/en/view/109813875>

Information for data generation and storage

<https://support.industry.siemens.com/cs/ww/en/view/109995012>

Information- and Downloadcenter (Catalogs, Brochures,...)

<https://www.siemens.com/ic10>

Industry Mall (Online ordering system)

<https://mall.industry.siemens.com/mall/en/en/Catalog/product?mlfb=LZS:RT3D4S15>

Cax online generator

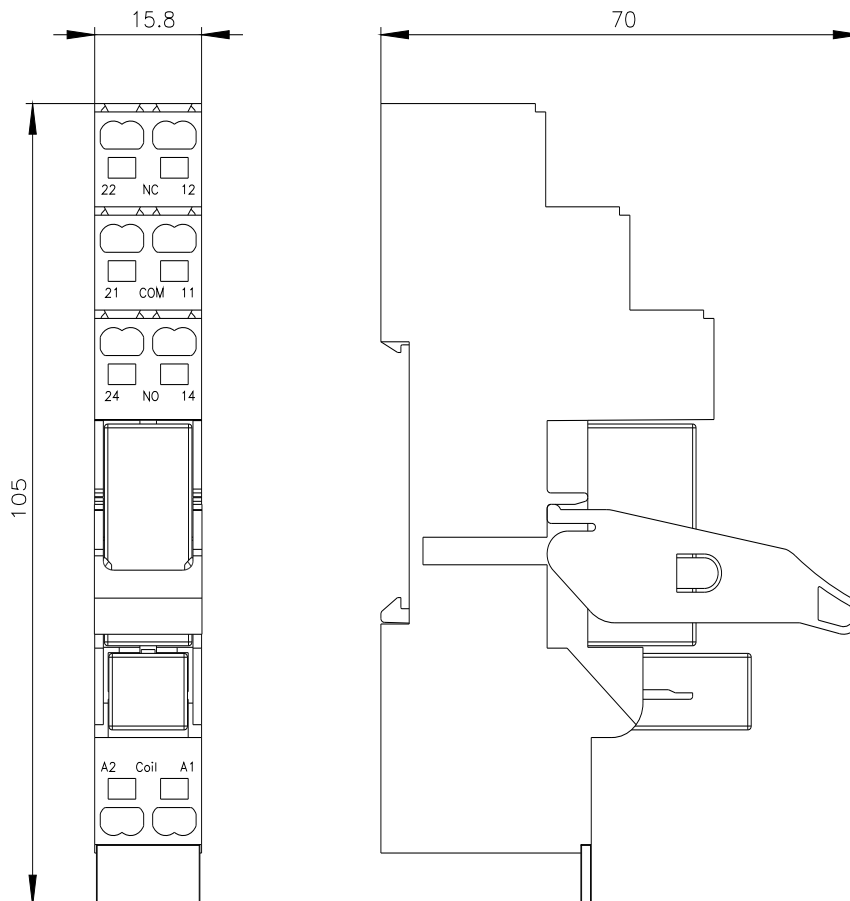
<http://support.automation.siemens.com/WW/CAXorder/default.aspx?lang=en&mlfb=LZS:RT3D4S15>

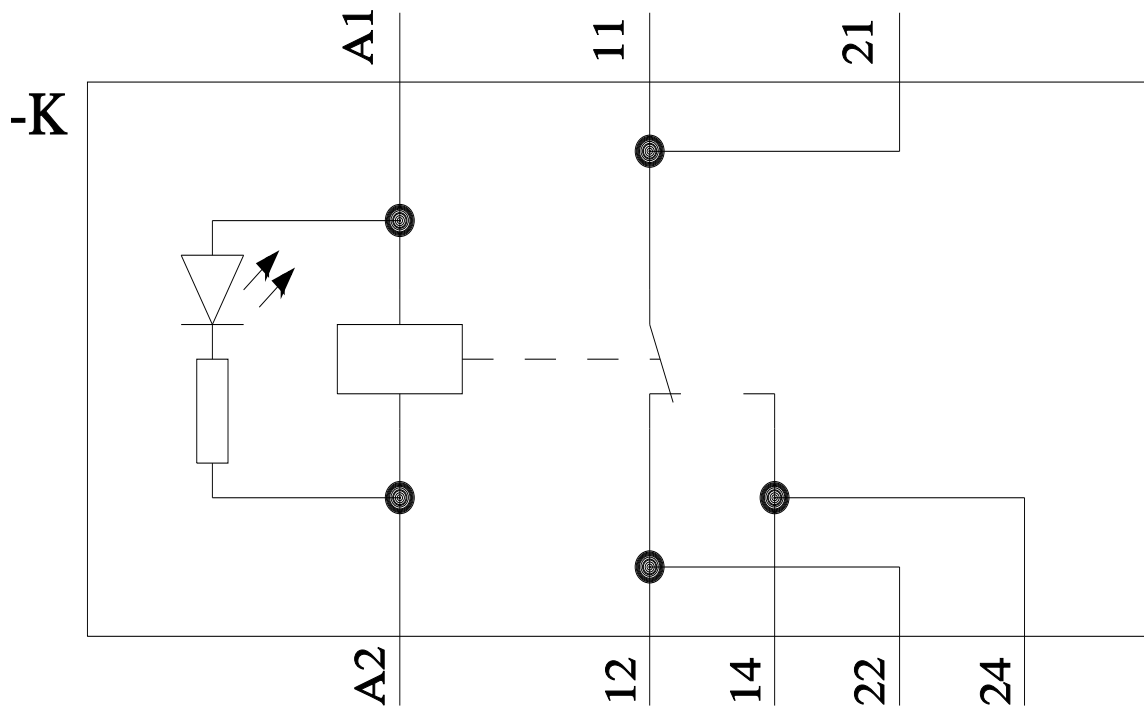
Service&Support (Manuals, Certificates, Characteristics, FAQs,...)

<https://support.industry.siemens.com/cs/ww/en/ps/LZS:RT3D4S15>

Image database (product images, 2D dimension drawings, 3D models, device circuit diagrams, EPLAN macros, ...)

[http://www.automation.siemens.com/bilddb/cax\\_de.aspx?mlfb=LZS:RT3D4S15&lang=en](http://www.automation.siemens.com/bilddb/cax_de.aspx?mlfb=LZS:RT3D4S15&lang=en)





last modified:

4/2/2025 