



plug-in relay complete unit, 2 changeover contacts, 24 V DC, LED module red, base with logical isolation, screw terminal, 3.5 mm pinning

product brand name	SIRIUS
product designation	Coupling relay with plug-in relay
product type designation	LZS
General technical data	
display version LED	Yes
consumed active power	0.4 W
percental drop-out voltage related to the input voltage	10 %
operating frequency without load	36 000 1/h
operating frequency with load	360 1/h
switching behavior	monostable
mechanical service life (operating cycles) typical	30 000 000
electrical endurance (operating cycles) at AC-15 at 230 V typical	100 000
thermal current	8 A
reference code according to IEC 81346-2	K
Substance Prohibitance (Date)	05/01/2012
Weight	0.064 kg
Control circuit/ Control	
control supply voltage at DC rated value	24 V
operating range factor control supply voltage rated value at DC	
• initial value	0.9
• full-scale value	1.4
closing delay	
• at DC maximum	8 ms
opening delay	
• at DC maximum	6 ms
Switching Function	
design of the switching function	changeover switch
Mechanical data	
product component plug-in socket	Yes
design of the snap-on socket base	Socket with logic isolation
design of the relay operating mechanism	poled
Short-circuit protection	
design of the fuse link for short-circuit protection of the auxiliary switch required	fuse gG: 10 A
Auxiliary circuit	
type of switching contact	Changeover contact
material of switching contacts	AgNi 90/10
number of NC contacts for auxiliary contacts	0
number of NO contacts for auxiliary contacts	0

number of CO contacts for auxiliary contacts	2
operational current of auxiliary contacts at DC-13	
• at 24 V	2 A
Main circuit	
type of voltage	DC
Display	
display version as status display by LED	LED red
Connections/ Terminals	
product function removable terminal	No
type of electrical connection	screw terminal
type of connectable conductor cross-sections	
• solid	1x (1,0 ... 2,5), 2x 1,0, 2x 1,5, 2x 2,5
• finely stranded with core end processing	1x (1,0 ... 1,5), 2x 1,0, 2x 1,5
• for AWG cables solid	1x (18 ... 14), 2x 18, 2x 16, 2x 14
connectable conductor cross-section	
• solid	1 ... 2.5 mm ²
• finely stranded with core end processing	1 ... 1.5 mm ²
AWG number as coded connectable conductor cross section	
• solid	18 ... 14
tightening torque with screw-type terminals	0.5 ... 0.7 N·m
Installation/ mounting/ dimensions	
mounting position	any
fastening method	snap-on mounting
height	77 mm
width	15.5 mm
depth	71 mm
required spacing	
• with side-by-side mounting	
— forwards	0 mm
— backwards	0 mm
— upwards	0 mm
— downwards	0 mm
— at the side	0 mm
• for grounded parts	
— forwards	0 mm
— backwards	0 mm
— upwards	0 mm
— at the side	0 mm
— downwards	0 mm
• for live parts	
— forwards	0 mm
— backwards	0 mm
— upwards	0 mm
— downwards	0 mm
— at the side	0 mm
Ambient conditions	
ambient temperature	
• during operation	-40 ... +70 °C
• during storage	-20 ... +70 °C
• during transport	-20 ... +70 °C

Approvals Certificates		
General Product Approval	Test Certificates	other



[Type Test Certificates/Test Report](#)



other	Environment
--------------	--------------------

Further information

Information on the packaging

<https://support.industry.siemens.com/cs/ww/en/view/109813875>

Information- and Downloadcenter (Catalogs, Brochures,...)

<https://www.siemens.com/ic10>

Industry Mall (Online ordering system)

<https://mall.industry.siemens.com/mall/en/en/Catalog/product?mlfb=LZS:RT4B4L24>

Cax online generator

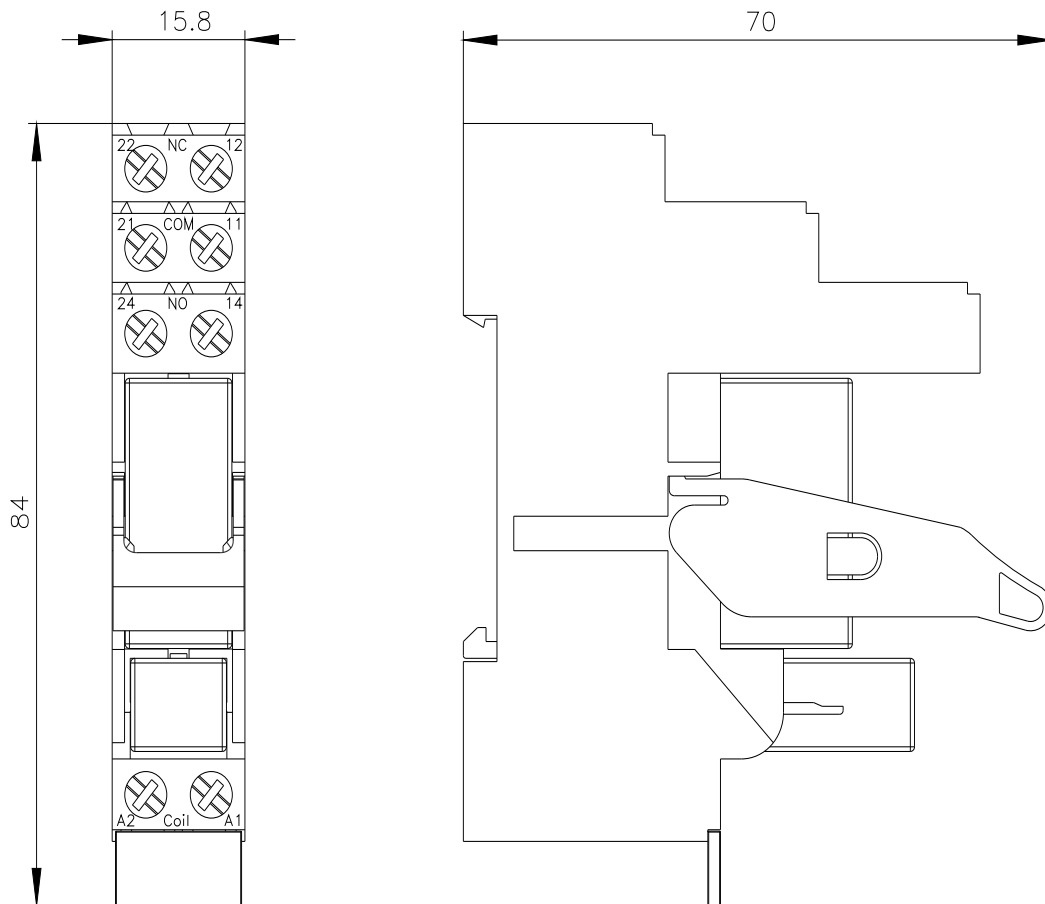
<http://support.automation.siemens.com/WW/CAXorder/default.aspx?lang=en&mlfb=LZS:RT4B4L24>

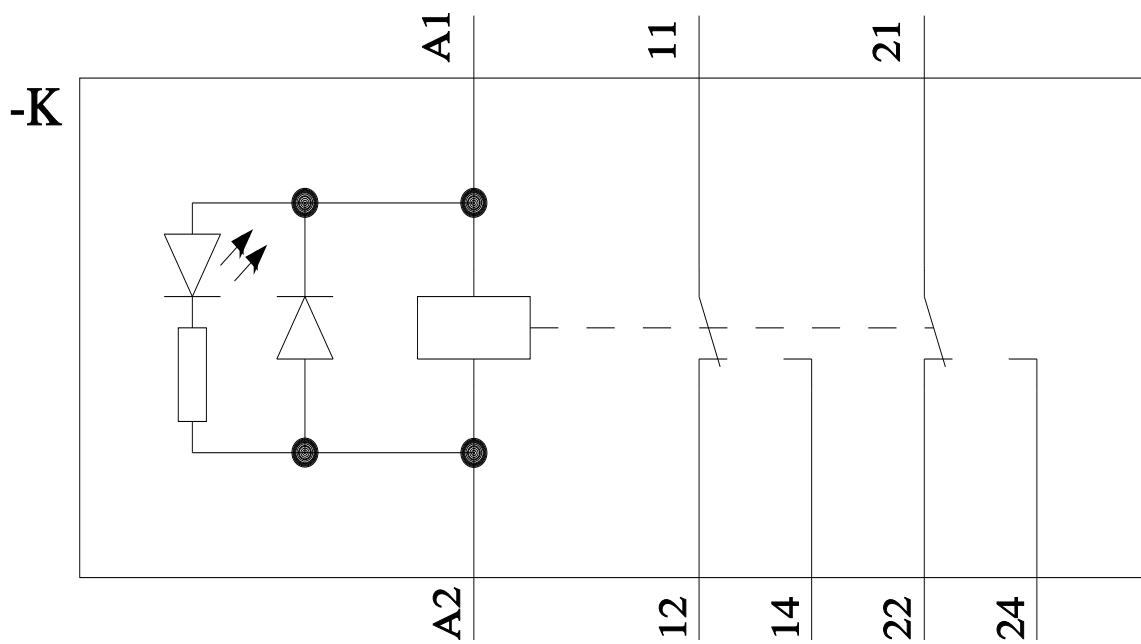
Service&Support (Manuals, Certificates, Characteristics, FAQs,...)

<https://support.industry.siemens.com/cs/ww/en/ps/LZS:RT4B4L24>

Image database (product images, 2D dimension drawings, 3D models, device circuit diagrams, EPLAN macros, ...)

http://www.automation.siemens.com/bilddb/cax_de.aspx?mlfb=LZS:RT4B4L24&lang=en





last modified:

4/2/2025 