

Connection element, with end cover, black, for floor/angle mounting, with spring-type terminal,



product brand name	SIRIUS
product designation	Connection element
design of the product	for floor and bracket mounting,
General technical data	
reference code according to EN 61346-2	X
Enclosure	
height	42.5 mm
width	70 mm
outer diameter of the signal column element	70 mm
material	PA
color	black
fastening method	Floor/bracket mounting
protection class IP	IP65
type of electrical connection	spring-loaded terminals
Ambient conditions	
ambient temperature during operation	-20 ... +50 °C
Approvals Certificates	
General Product Approval	EMV



[Confirmation](#)



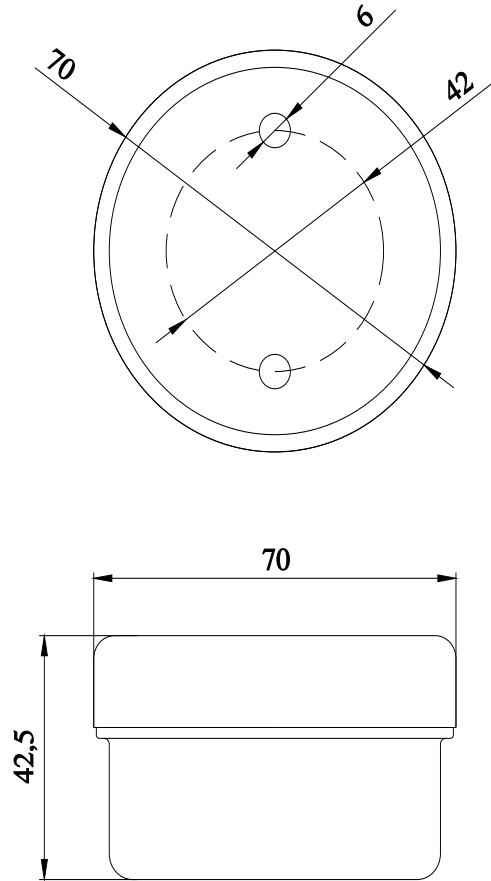
other	Environment
-------	-------------

[Confirmation](#)

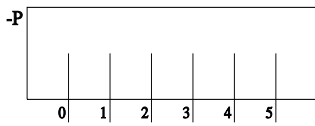
[Environmental Confirmations](#)

Further information

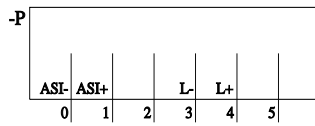
Information on the packaging
<https://support.industry.siemens.com/cs/ww/en/view/109813875>
 Information- and Downloadcenter (Catalogs, Brochures,...)
<https://www.siemens.com/ic10>
 Industry Mall (Online ordering system)
<https://mall.industry.siemens.com/mall/en/en/Catalog/product?mlfb=8WD4408-0AE>
 Cax online generator
<http://support.automation.siemens.com/WW/CAXorder/default.aspx?lang=en&mlfb=8WD4408-0AE>
 Service&Support (Manuals, Certificates, Characteristics, FAQs,...)
<https://support.industry.siemens.com/cs/ww/en/ps/8WD4408-0AE>



Standard



ASI



IO-Link

