

Product data sheet

Specifications



Fixing plate, Harmony XVC, metal, for tube mounting 100mm

XVCZ02

Product availability: Stock - Normally stocked in distribution facility

Main

Range of Product	Harmony XVC6
Accessory / separate part designation	Metal fixing plate
Accessory / Separate Part Type	Fixing plate
Product or Component Type	Fixing plate
Accessory / separate part category	Mounting and fixing accessories
Product Compatibility	XVC6B4 XVC6B1 XVC6B3 XVC6B55S XVC6B35S XVC6B5 XVC6B2 XVC6B45S XVC6B25S XVC6B15S
Accessory / separate part destination	Complete pre-wired monolithic tower light
Product Specific Application	For support tube mounting

Complementary

Diameter	3.9 in (100 mm)
Height	1.2 in (30 mm)
Net Weight	0.18 lb(US) (0.08 kg)

Ordering and shipping details

Category	US100XV22617
Discount Schedule	00XV
GTIN	3606480032745
Returnability	Yes
Country of origin	ID

Packing Units

Unit Type of Package 1	PCE
Nbr. of units in pkg.	1
Package 1 Height	3.31 in (8.4 cm)
Package 1 Width	4.49 in (11.4 cm)
Package 1 Length	4.49 in (11.4 cm)

Price is "List Price" and may be subject to a trade discount – check with your local distributor or retailer for actual price.

Package weight(Lbs)	6.9 oz (196 g)
Unit Type of Package 2	S02
Number of Units in Package 2	8
Package 2 Height	5.91 in (15 cm)
Package 2 Width	11.81 in (30 cm)
Package 2 Length	15.75 in (40 cm)
Package 2 Weight	4.632 lb(US) (2.101 kg)

Contractual warranty

Warranty	18 months
-----------------	-----------



Environmental Data

Schneider Electric aims to achieve Net Zero status by 2050 through supply chain partnerships, lower impact materials, and circularity via our ongoing “Use Better, Use Longer, Use Again” campaign to extend product lifetimes and recyclability.

[Environmental Data explained >](#)

[How we assess product sustainability >](#)

Environmental footprint

Carbon footprint (kg CO2 eq, Total Life cycle)	2
--	---

Use Better

Materials and Substances

Packaging made with recycled cardboard	Yes
--	-----

Packaging without single use plastic	Yes
--------------------------------------	-----

[EU RoHS Directive](#)

Pro-active compliance (Product out of EU RoHS legal scope)

California proposition 65

WARNING: This product can expose you to chemicals including: Nickel compounds, which is known to the State of California to cause cancer, and Di-isodecyl phthalate (DIDP), which is known to the State of California to cause birth defects or other reproductive harm. For more information go to www.P65Warnings.ca.gov

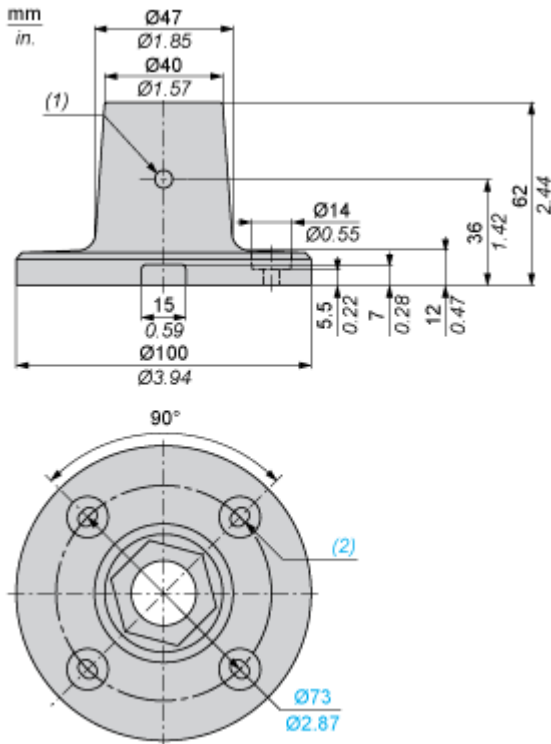
Use Again

Repack and remanufacture

Take-back	No
-----------	----

Dimensions Drawings

Dimensions and Mounting



- (1) M6 (SUS)
- (2) 4 elongated holes Ø5.2mm x 7mm / Ø0.20 in/ 0.28 in.

Technical Illustration

Dimensions

