

1SNA195638R2300 ✓ ACTIVE

ENTRELEC | ENTRELEC SNA

TE Internal #: 1SNA195638R2300

Modular Terminal Blocks, Ground, Screw Clamp Terminal Block,
Green, Product Spacing .235 in [6 mm], 2 Position, Screw Terminal,
Signal, ENTRELEC SNA

[View on TE.com >](#)



Connectors > Terminal Blocks & Strips > Modular Terminal Blocks



Block Function: **Ground**

Modular Terminal Block Product Type: **Screw Clamp Terminal Block**

Rated Cross Section: **4 mm²**

Primary Product Color: **Green**

Product Spacing: **6 mm [.235 in]**

Features

Product Type Features

Modular Terminal Block Product Type	Screw Clamp Terminal Block
-------------------------------------	----------------------------

Configuration Features

Gauge Type	A4
Number of Levels	1
Number of Poles	4
Number of Circuits	1
Block Function	Ground
Number of Positions	2

Electrical Characteristics

Short-Time Withstanding Current Rating @ 1s	480 A
---	-------

Body Features

Product Weight	22 g [.776 oz]
Primary Product Color	Green

Termination Features

Termination Method to Wire & Cable	Screw Terminal
------------------------------------	----------------

Mechanical Attachment

DIN Rail Mounting Type	G32, TH35-15, TH35-7.5
------------------------	------------------------

Tightening Torque	4.4 in-lbs
-------------------	------------

Connector Mounting Type	DIN Rail
-------------------------	----------

Housing Features

Housing Material	Polyamide 6.6
------------------	---------------

Dimensions

Main Circuit Capacity - 1 Rigid Stranded Conductor per Screw Clamp	.2 – 4 mm ²
--	------------------------

Wire Stripping Length	9.5 mm[.374 in]
-----------------------	-----------------

Main Circuit Capacity - 1 Flexible Conductor per Spring Clamp	.22 – 4 mm ²
---	-------------------------

Tool Size	4 mm[.157 in]
-----------	---------------

Product Depth	40.5 mm
---------------	---------

Product Width	6 mm[.235 in]
---------------	---------------

Product Length	40.5 mm
----------------	---------

Product Height	63.5 mm
----------------	---------

Rated Cross Section	4 mm ²
---------------------	-------------------

Product Spacing	6 mm[.235 in]
-----------------	---------------

Wire Size	4 mm ²
-----------	-------------------

Usage Conditions

Storage Temperature Range	-55 – 110 °C[-67 – 230 °F]
---------------------------	----------------------------

Installation Temperature Range	-5 – 40 °C[23 – 104 °F]
--------------------------------	-------------------------

Operating Temperature Range	-55 – 110 °C[-67 – 230 °F]
-----------------------------	----------------------------

Operation/Application

Circuit Application	Signal
---------------------	--------

Industry Standards

UL Flammability Rating	UL 94V-0
------------------------	----------

Product Compliance

[For compliance documentation, visit the product page on TE.com>](#)

EU RoHS Directive 2011/65/EU	Compliant with Exemptions
------------------------------	---------------------------

EU ELV Directive 2000/53/EC	Compliant with Exemptions
-----------------------------	---------------------------

China RoHS 2 Directive MIIT Order No 32, 2016	Restricted Materials Above Threshold
---	--------------------------------------

EU REACH Regulation (EC) No. 1907/2006	Current ECHA Candidate List: JUNE 2022 (224)
--	--



Candidate List Declared Against: JUNE 2022 (224)
 SVHC > Threshold:
 Pb (.35% in Component Part)

Article Safe Usage Statements:
 Do not eat, drink or smoke when using this product. Wash thoroughly after handling. Recycle if possible and dispose of the article by following all applicable governmental regulations relevant to your geographic location.

Halogen Content
 Low Halogen - Br, Cl, F, I < 900 ppm per homogenous material. Also BFR/CFR/PVC Free

Solder Process Capability
 Not reviewed for solder process capability

Product Compliance Disclaimer

This information is provided based on reasonable inquiry of our suppliers and represents our current actual knowledge based on the information they provided. This information is subject to change. The part numbers that TE has identified as EU RoHS compliant have a maximum concentration of 0.1% by weight in homogenous materials for lead, hexavalent chromium, mercury, PBB, PBDE, DBP, BBP, DEHP, DIBP, and 0.01% for cadmium, or qualify for an exemption to these limits as defined in the Annexes of Directive 2011/65/EU (RoHS2). Finished electrical and electronic equipment products will be CE marked as required by Directive 2011/65/EU. Components may not be CE marked. Additionally, the part numbers that TE has identified as EU ELV compliant have a maximum concentration of 0.1% by weight in homogenous materials for lead, hexavalent chromium, and mercury, and 0.01% for cadmium, or qualify for an exemption to these limits as defined in the Annexes of Directive 2000/53/EC (ELV). Regarding the REACH Regulation, the information TE provides on SVHC in articles for this part number is based on the latest European Chemicals Agency (ECHA) 'Guidance on requirements for substances in articles' posted at this URL: <https://echa.europa.eu/guidance-documents/guidance-on-reach>

Compatible Parts

TE Part # 1SNA103775R0000
 RC65-BL

TE Part # 1SNA103776R0100
 RC65-RD

TE Part # 1SNA232000R0000
 RC65

TE Part # 1SNA233000R0100
 RC610

TE Part # 1SNA399903R0200
 BADL

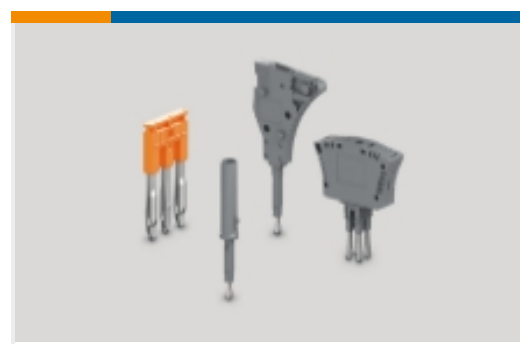
TE Part # 1SNA199879R0100
 FEM4AP

TE Part # 1SNA236000R0400
 RCT610

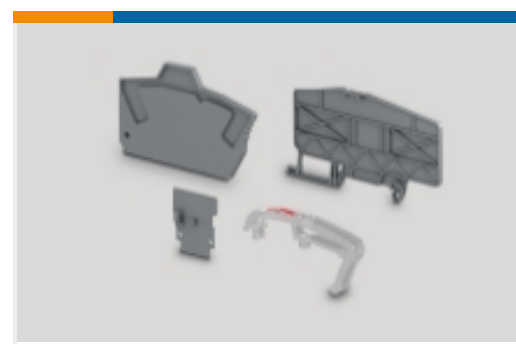
Also in the Series | **ENTRELEC SNA**



Modular Terminal Blocks(182)



Terminal Block & Strip Conducting Accessories(26)



Terminal Block & Strip Insulating Accessories(14)

Documents

CAD Files

3D PDF

3D

Customer View Model

[ENG_CVM_CVM_1SNA195638R2300_A.2d_dxf.zip](#)

English

Customer View Model

[ENG_CVM_CVM_1SNA195638R2300_A.3d_igs.zip](#)

English

Customer View Model

[ENG_CVM_CVM_1SNA195638R2300_A.3d_stp.zip](#)

English

By downloading the CAD file I accept and agree to the [Terms and Conditions](#) of use.

Datasheets & Catalog Pages

[Catalogue - ENTRELEC terminal-blocks-sna-series](#)

English

[M4/6.4A.P.V0](#)

English

[ENTRELEC Terminal Blocks Catalogue \(RUS\)](#)

Product Environmental Compliance

[Product Compliance](#)

English

[Product Compliance](#)

English