



### Main

|                           |  |
|---------------------------|--|
| Range of Product          | Modicon ABE7   |
| Product or Component Type | Connection sub-base for counter and analogue channels  |
| Number of channels        | 8  |
| Connections - terminals   | Screw type terminals, 1 x 0.09...1 x 1.5 mm <sup>2</sup> AWG 28...AWG 16) flexible with cable end<br>Screw type terminals, 1 x 0.14...1 x 2.5 mm <sup>2</sup> AWG 26...AWG 12) solid<br>Screw type terminals, 1 x 0.14...1 x 2.5 mm <sup>2</sup> AWG 26...AWG 14) flexible without cable end<br>Screw type terminals, 2 x 0.09...2 x 0.75 mm <sup>2</sup> AWG 28...AWG 20) flexible with cable end<br>Screw type terminals, 2 x 0.2...2 x 2.5 mm <sup>2</sup> AWG 24...AWG 14) solid |

### Complementary

|                               |  |
|-------------------------------|--|
| Function of module            | Analogue input current Premium<br>Analogue input voltage Premium<br>Pt 100 Premium |
| [Uc] control circuit voltage  | 24 V DC  |
| Connection to PLC             | SUB-D 25   |
| Fixing mode                   | By clips (35 mm symmetrical DIN rail)<br>By screws (solid plate with fixing kit)   |
| [Ui] rated insulation voltage | 2000 V terminals/mounting rails  |
| Installation category         | II IEC 60664-1   |
| Tightening torque             | 5.3 lbf.in (0.6 N.m) flat Ø 3.5 mm   |
| Net Weight                    | 0.73 lb(US) (0.33 kg)  |

### Environment

|                                       |  |
|---------------------------------------|--|
| Standards                             | CSA C22.2<br>IEC 61131<br>UL 508                                       |
| Product Certifications                | DNV[RETURN]JUL[RETURN]JGL[RETURN]CSA                                   |
| IP degree of protection               | IP20 conforming to IEC 60529   |
| Protective treatment                  | TC   |
| Resistance to incandescent wire       | 1382 °F (750 °C) 30 s IEC 60695-2-11                                   |
| Shock resistance                      | 15 gn 11 ms IEC 60068-2-27   |
| Vibration resistance                  | 2 gn 10...150 Hz)IEC 60068-2-6   |
| Resistance to electrostatic discharge | 4 kV contact) level 3 IEC 61000-4-2<br>8 kV air) level 3 IEC 61000-4-2 |
| Resistance to radiated fields         | 9.1 V/m (10 V/m) 26000000...1000000000 Hz)IEC 61000-4-3 level 3        |
| Resistance to fast transients         | 2 kV level 3 IEC 61000-4-4   |
| Ambient air temperature for operation | 32...140 °F (0...60 °C) IEC 61131-2                                    |
| Ambient air temperature for storage   | -40...176 °F (-40...80 °C) IEC 61131-2                                 |
| Pollution degree                      | 2 IEC 60664-1  |

The information provided in this documentation contains general descriptions and/or technical characteristics of the performance of the products contained herein. This documentation is not intended as a substitute for and is not to be used for determining suitability or reliability of these products for specific user applications. It is the duty of any such user or integrator to perform the appropriate and complete risk analysis, evaluation and testing of the products with respect to the relevant specific application or use thereof. Neither Schneider Electric Industries SAS nor any of its affiliates or subsidiaries shall be responsible or liable for misuse of the information contained herein.

## Ordering and shipping details

|                   |               |
|-------------------|---------------|
| Category          | US10CP222375  |
| Discount Schedule | 0CP2          |
| GTIN              | 3389110705003 |
| Returnability     | Yes           |
| Country of origin | LV            |

## Packing Units

|                              |                       |
|------------------------------|-----------------------|
| Unit Type of Package 1       | PCE                   |
| Number of Units in Package 1 | 1                     |
| Package 1 Height             | 2.756 in (7.000 cm)   |
| Package 1 Width              | 3.150 in (8.000 cm)   |
| Package 1 Length             | 5.315 in (13.500 cm)  |
| Package 1 Weight             | 10.970 oz (311.000 g) |

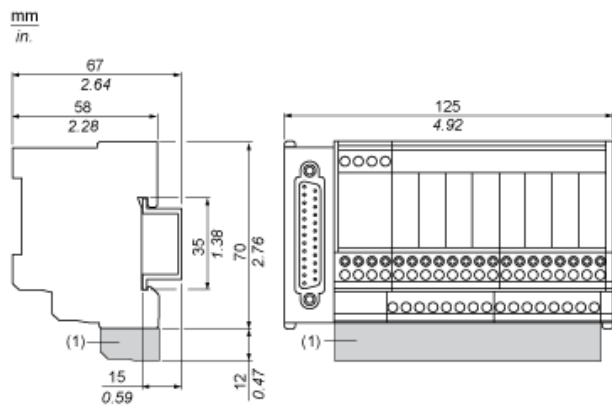
## Offer Sustainability

|                            |   |
|----------------------------|---|
| California proposition 65  | WARNING: This product can expose you to chemicals including: Lead and lead compounds, which is known to the State of California to cause cancer and birth defects or other reproductive harm. For more information go to <a href="http://www.P65Warnings.ca.gov">www.P65Warnings.ca.gov</a> |
| REACH Regulation           | <a href="#">REACH Declaration</a>   |
| EU RoHS Directive          | Pro-active compliance (Product out of EU RoHS legal scope)  |
| Mercury free               | Yes   |
| China RoHS Regulation      | <a href="#">China RoHS Declaration</a>  |
| RoHS exemption information | <a href="#">Yes</a>   |

## Contractual warranty

|          |           |
|----------|-----------|
| Warranty | 18 months |
|----------|-----------|

Dimensions



(1) ABE7BV20 / ABE7BV20E

---

Mounting

---

