

# Product data sheet

Specifications



## analogue IO extension module, Zelio Logic SR2 SR3, 4 IO, 24V DC

SR3XT43BD

**Product availability: Stock - Normally stocked in distribution facility**

**Price\*: 233.00 USD**

### Main

Range of Product	Zelio Logic
Product or Component Type	Analogue I/O extension module

### Complementary

Analogue input number	2
Analogue Input Type	Common mode
Analogue input range	0...10 V 0...20 mA -25...125 °C
Temperature probe type	Pt 100, 3-wire IEC 751
Maximum permissible voltage	30 V analogue input circuit
[Imp] maximum permanent current	30 mA analogue input circuit
Analogue input resolution	10 bits on the input range
Input impedance	18 kOhm 0...10 V analogue input circuit 247 Ohm 0...20 mA analogue input circuit
Analogue output number	2
Analogue output range	0...10 V
Analogue output resolution	10 bits on the output range
Load type	Resistive analogue output
Maximum load current	10 mA analogue output
Short-circuit protection	With analogue output
LSB value	0.15 °C, -25...125 °C analogue input circuit 20 µA, 0...20 mA analogue input circuit 9.8 mV, 0...10 V analogue input circuit 9.8 mV, 0...10 V analogue output
Conversion time	Smart relay cycle time analogue input circuit Smart relay cycle time analogue output
Conversion error	+/- 1 % of the full scale value 0...10 V 77 °F (25 °C) analogue output +/- 1 % of the full scale value 0...10 V 131 °F (55 °C) analogue output +/- 1 % 0...10 V 77 °F (25 °C) analogue input circuit +/- 1 % 0...10 V 131 °F (55 °C) analogue input circuit +/- 1 % 0...20 mA 77 °F (25 °C) analogue input circuit +/- 1 % 0...20 mA 131 °F (55 °C) analogue input circuit +/- 1.5 °C -25...125 °C 77 °F (25 °C) analogue input circuit +/- 1.5 °C -25...125 °C 131 °F (55 °C) analogue input circuit
Repeat accuracy	< +/- 0.3 °C -25...125 °C 77 °F (25 °C) analogue input circuit <= +/- 1 % 0...10 V 77 °F (25 °C) analogue input circuit <= +/- 1 % 0...10 V 131 °F (55 °C) analogue output <= +/- 1 % 0...20 mA 77 °F (25 °C) analogue input circuit

Price is "List Price" and may be subject to a trade discount – check with your local distributor or retailer for actual price.

<b>Operating distance</b>	10 m with screened cable analogue input circuit 10 m with screened cable analogue output
<b>Reverse polarity protection</b>	Analogue input circuit with
<b>Connections - terminals</b>	Screw terminals, 1 x 0.25...1 x 2.5 mm <sup>2</sup> AWG 24...AWG 14) semi-solid Screw terminals, 1 x 0.25...1 x 2.5 mm <sup>2</sup> AWG 24...AWG 14) solid Screw terminals, 2 x 0.25...2 x 1.5 mm <sup>2</sup> AWG 23...AWG 16) solid Screw terminals, 1 x 0.25...1 x 2.5 mm <sup>2</sup> AWG 24...AWG 14) flexible with cable end Screw terminals, 2 x 0.25...2 x 0.75 mm <sup>2</sup> AWG 24...AWG 18) flexible with cable end
<b>tightening torque</b>	4.4 lbf.in (0.5 N.m)
<b>Net Weight</b>	0.24 lb(US) (0.11 kg)

## Environment

<b>Product Certifications</b>	GOST UL C-tick CSA
<b>Standards</b>	IEC 61000-4-12 IEC 61000-4-5 IEC 61000-4-3 IEC 61000-4-4 level 3 IEC 61000-4-6 level 3 IEC 61000-4-2 level 3 IEC 60068-2-6 Fc IEC 61000-4-11 IEC 60068-2-27 Ea
<b>IP degree of protection</b>	IP20 IEC 60529 terminal block) IP40 IEC 60529 front panel)
<b>Environmental characteristic</b>	EMC directive conforming to IEC 61000-6-2 EMC directive conforming to IEC 61000-6-3 EMC directive conforming to IEC 61000-6-4 EMC directive conforming to IEC 61131-2 zone B Low voltage directive conforming to IEC 61131-2
<b>Disturbance radiated/conducted</b>	Class B IEC 55022-11 Group 1
<b>Pollution degree</b>	2 IEC 61131-2
<b>Ambient air temperature for operation</b>	-4...104 °F (-20...40 °C) IEC 60068-2-1 and IEC 60068-2-2 -4...131 °F (-20...55 °C) IEC 60068-2-1 and IEC 60068-2-2
<b>Ambient Air Temperature for Storage</b>	-40...158 °F (-40...70 °C)
<b>Operating altitude</b>	6561.68 ft (2000 m)
<b>Maximum altitude transport</b>	10000.0000000000 ft (3048 m)
<b>Relative Humidity</b>	95 % without condensation or dripping water

## Ordering and shipping details

<b>Category</b>	US1000I22378
<b>Discount Schedule</b>	000I
<b>GTIN</b>	3389119203968
<b>Returnability</b>	Yes
<b>Country of origin</b>	FR

## Packing Units

<b>Unit Type of Package 1</b>	PCE
<b>Number of Units in Package 1</b>	1
<b>Package 1 Height</b>	2.36 in (6.000 cm)

<b>Package 1 Width</b>	2.56 in (6.500 cm)
<b>Package 1 Length</b>	4.33 in (11.000 cm)
<b>Package 1 Weight</b>	3.704 oz (105.000 g)
<b>Unit Type of Package 2</b>	S03
<b>Number of Units in Package 2</b>	48
<b>Package 2 Height</b>	11.81 in (30.000 cm)
<b>Package 2 Width</b>	11.81 in (30.000 cm)
<b>Package 2 Length</b>	15.75 in (40.000 cm)
<b>Package 2 Weight</b>	12.161 lb(US) (5.516 kg)

## Contractual warranty

<b>Warranty</b>	18 months
-----------------	-----------

## Environmental Data

Schneider Electric aims to achieve Net Zero status by 2050 through supply chain partnerships, lower impact materials, and circularity via our ongoing “Use Better, Use Longer, Use Again” campaign to extend product lifetimes and recyclability.

[Environmental Data explained >](#)

[How we assess product sustainability >](#)

### Environmental footprint

Carbon footprint (kg CO2 eq, Total Life cycle)	<b>117</b>
--	------------

Environmental Disclosure	<a href="#">Product Environmental Profile</a>
--------------------------	---

## Use Better

### Materials and Substances

Packaging made with recycled cardboard	<b>No</b>
--	-----------

Packaging without single use plastic	<b>Yes</b>
--------------------------------------	------------

EU RoHS Directive	<b>Pro-active compliance (Product out of EU RoHS legal scope)</b>
-------------------	---

SCIP Number	<b>Ab7a5df6-4d23-4fb1-96de-7c15d64130aa</b>
-------------	---

REACH Regulation	<a href="#">REACH Declaration</a>
------------------	-----------------------------------

China RoHS Regulation	<a href="#">China RoHS declaration</a>
-----------------------	--


California proposition 65

**WARNING:** This product can expose you to chemicals including: Lead and lead compounds, which is known to the State of California to cause cancer and birth defects or other reproductive harm. For more information go to [www.P65Warnings.ca.gov](http://www.P65Warnings.ca.gov)

PVC free

Yes

## Use Again

 **Repack and remanufacture**

Circularity Profile

[End of Life Information](#)

WEEE



The product must be disposed on European Union markets following specific waste collection and never end up in rubbish bins.

Take-back

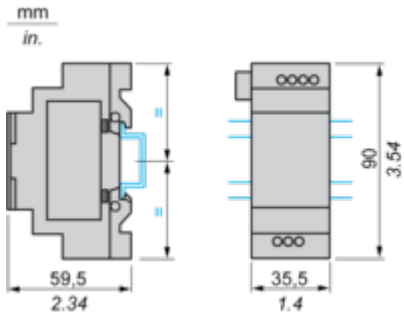
No

Dimensions Drawings

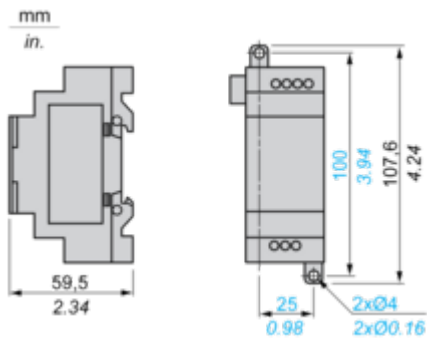
Analog I/O Extension Modules

---

Mounting on 35 mm/1.38 in. DIN Rail



Screw Fixing (Retractable Lugs)



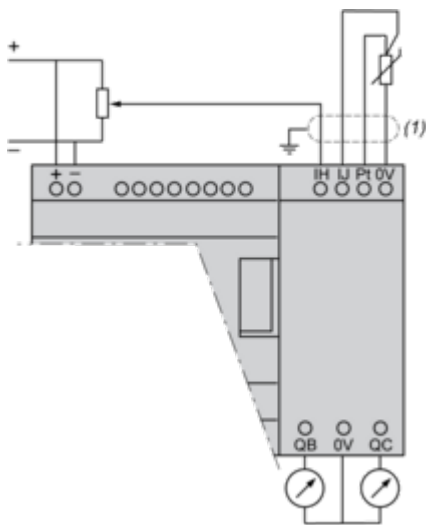
Connections and Schema

Connection of Smart Relays on DC Supply, with Analog I/O Extension Module

Connection Alternatives

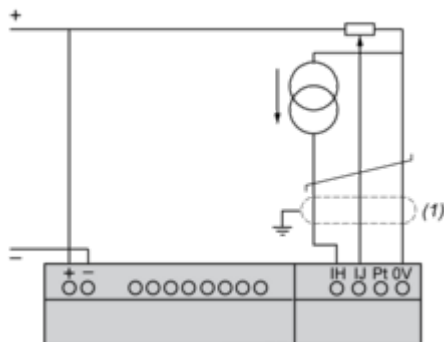
0 - 10 V	0 - 20 mA	Pt100
2	0	0
1	1	0
0	2	0
1	0	1
0	1	1

Application Example with 1 x 0 - 10 V Input and 1 x Pt100 Input



(1) Screened cables, maximum length 10 m/32.80 ft.

Application Example with 1 x 0 - 20 mA Input and 1 x 0 - 10 V Input



(1) Screened cables, maximum length 10 m/32.80 ft.

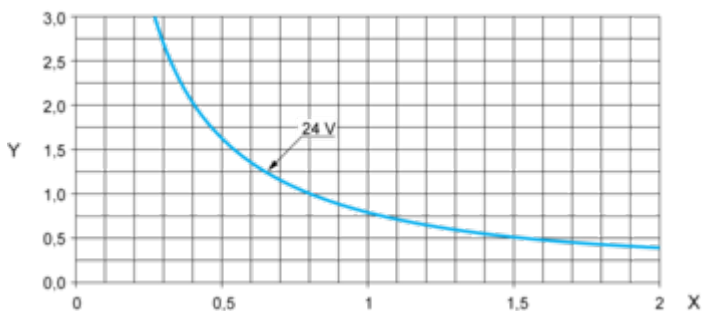
Performance Curves

Compact and Modular Smart Relays

Electrical Durability of Relay Outputs

(in millions of operating cycles, conforming to IEC/EN 60947-5-1)

DC-12 (1)

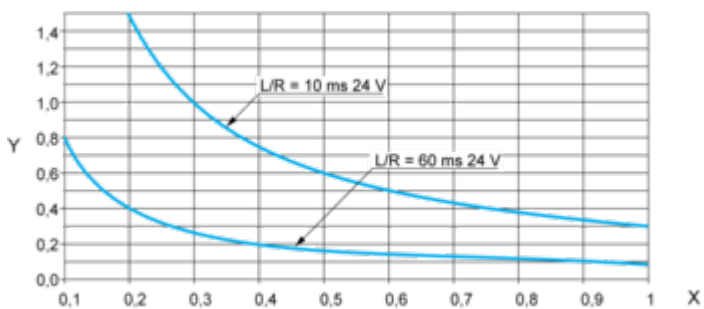


X: Current (A)

Y: Millions of operating cycles

(1) DC-12: control of resistive loads and of solid state loads isolated by opto-coupler,  $L/R \leq 1$  ms.

DC-13 (1)



X: Current (A)

Y: Millions of operating cycles

(1) DC-13: switching electromagnets,  $L/R \leq 2 \times (U_e \times I_e)$  in ms,  $U_e$ : rated operational voltage,  $I_e$ : rated operational current (with a protection diode on the load, DC-12 curves must be used with a coefficient of 0.9 applied to the number in millions of operating cycles).



