

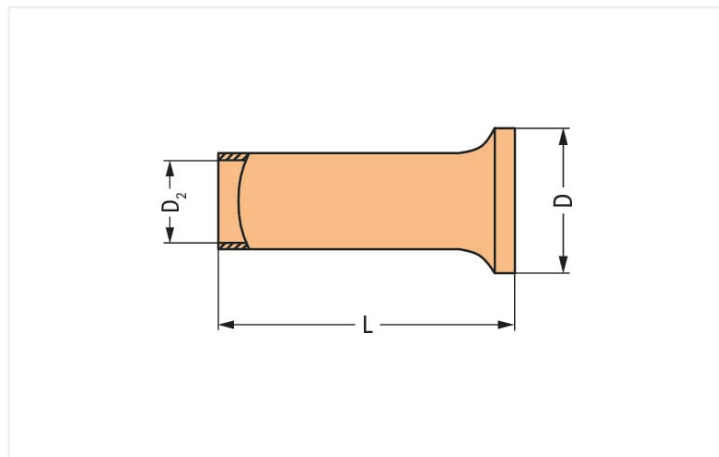
Data Sheet | Item Number: 216-108

Ferrule; Sleeve for 6 mm² / AWG 10; uninsulated; electro-tin plated; silver-colored

<https://www.wago.com/216-108>



Color: ■ silver-colored



Dimensions in mm

Technical data

Main product function	Ferrule
Sleeve cross-section (AWG)	10 AWG
Sleeve for	6 mm ²

Connection data

Strip length	12 mm / 0.47 inches
--------------	---------------------

Physical data

Length	12 mm
Diameter	4.7 mm
Diameter crimp sleeve inside	3.5 mm

Material data

Color	silver-colored
Fire load	0 MJ
Weight	0.2 g

Commercial data

Product Group	2 (Terminal Block Accessories)
eCl@ss 10.0	27-40-02-01
eCl@ss 9.0	27-40-02-01
ETIM 8.0	EC000005
ETIM 7.0	EC000005
PU (SPU)	1000 (250) pcs
Packaging type	Box
Country of origin	DE
GTIN	4017332277709
Customs tariff number	85369010000

Environmental Product Compliance

RoHS Compliance Status	Compliant, No Exemption
------------------------	-------------------------

Downloads

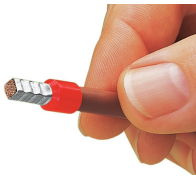
Environmental Product Compliance

Compliance Search	
Environmental Product Compliance 216-108	↓

Documentation

Bid Text			
216-108	11.09.2017	doc 24.00 KB	↓
216-108	19.02.2019	xml 2.77 KB	↓

Installation Notes



A perfect gas-tight crimp – both electrical-ly and mechanically reliable