

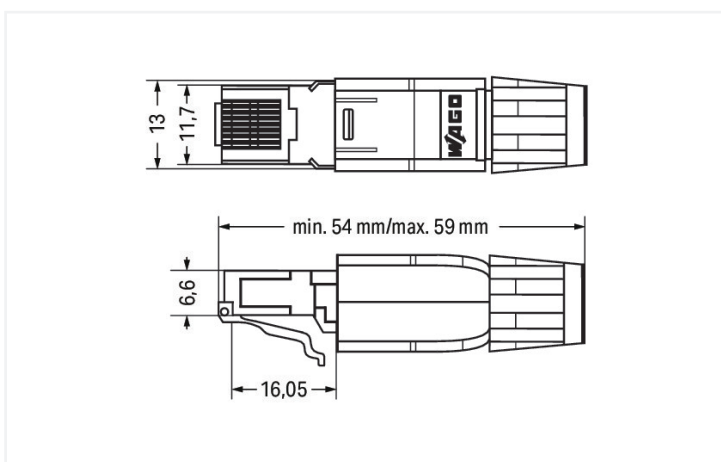
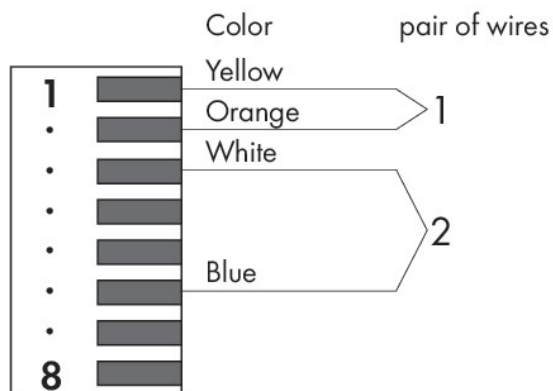
Data Sheet | Item Number: 750-976

PROFINET RJ-45 connector, IP20; ETHERNET 10/100 Mbit/s; for field assembly

<https://www.wago.com/750-976>



Pin assignment PROFINET



Dimensions in mm

Versatile RJ-45 connector for industrial, office and building wiring applications.

This compact RJ-45 PROFINET Connector uses IDC technology for easy field assembly.

Conductor termination is performed without any tools. The connector fulfills all required standards and connects both solid and stranded conductors.

The connector complies with Category 5e.

Technical data

Connection type	RJ-45 plug
Pole number	8
Cable connection direction to mating direction	0°
Communication/fieldbus	PROFINET
Code	PROFINET
Transmission rate	100 Mbit/s
Insulation resistance	(100 V) > 1 GΩ
Contact resistance	(Wire – IDC) < 1 mΩ; (Strand – IDC) < 5 mΩ

Connection Data

Connection type	IDC contact
Solid conductor	0.13 ... 0.24 mm ² / 26/1 ... 23/1 AWG
Stranded conductor	0.14 ... 0.36 mm ² / 26/7 ... 22/7 AWG

Physical data

Width	14 mm
Height	14 mm
Depth	59 mm

Mechanical data

Shield	Brass (CuZn); hot-dip tinned 3 µm; Shield contact: large surface >180°
Connection requirement (permissible cable type)	Cat. 5e
Connectable sheathed cable diameter	4.5 ... 8 mm
Housing material	Plastic
Contact material	Bronze (CuSn6)
Contact Plating	> 1.2 µm gold over 1.2 µm nickel
Mating cycles (max.)	1000
Weight	13.4 g

Environmental requirements

Ambient temperature (operation)	-20 ... +70 °C
Ambient temperature (storage)	-40 ... +85 °C
Protection type	IP20
Relative humidity (without condensation)	95 %
Vibration resistance	4g per IEC 60068-2-6
Fire load	0 MJ
Standards/specifications	Basic standard: IEC 60603-7 RJ-45 Category 5 CD ISO/IEC 11801: 2002 EN 50173: 2002

Commercial data

Product Group	15 (I/O System)
PU (SPU)	1 pcs
Packaging type	Box
Country of origin	CH
GTIN	4045454988173
Customs tariff number	85366990990

Product Classification

UNSPSC	39121402
eCl@ss 10.0	27-24-26-92
eCl@ss 9.0	27-24-26-92
ETIM 9.0	EC002584
ETIM 10.0	EC002584
ECCN	NO US CLASSIFICATION

Environmental Product Compliance

RoHS Compliance Status

Compliant, No Exemption

Approvals / Certificates

Approvals for marine applications



Approval	Standard	Certificate Name
ABS American Bureau of Shipping	-	25-0415412
DNV DNV GL SE	DNV-CG-0339, Aug. 2021	TAA0000194
LR Lloyds Register EMEA	-	LR22180952TA
PRS Polski Rejestr Statków	-	TE/1101/880590/23
RINA RINA Germany GmbH	-	ELE343521XG001

Downloads

Environmental Product Compliance

Compliance Search

Environmental Product Compliance 750-976



Documentation

System Description

Overview on WAGO-I/O-SYSTEM 750 approvals

pdf
770.48 KB



Bid Text

750-976

06.10.2017

doc
27.50 KB



750-976

19.02.2019

xml
5.29 KB



CAD/CAE-Data

CAE data

EPLAN Data Portal
750-976



WSCAD Universe
750-976



Subject to changes. Please also observe the further product documentation!

Current addresses can be found at: www.wago.com