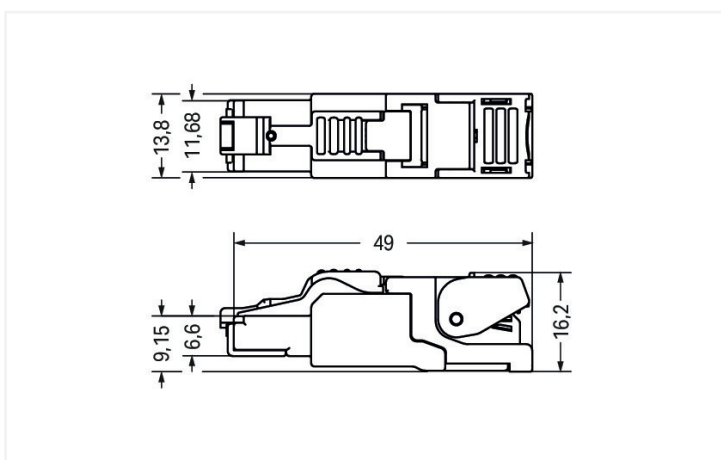
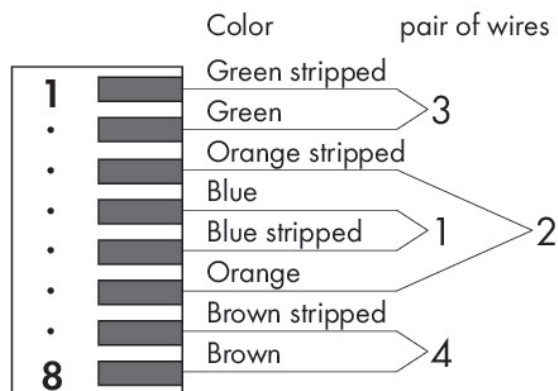




### Pin assignment TIA-568A



Dimensions in mm

#### Technical data

|  |              |
|--|--------------|
| Connection type                                | RJ-45 plug   |
| Pole number                                    | 8            |
| Cable connection direction to mating direction | 0°           |
| Communication/fieldbus                         | ETHERNET     |
| Code   | TIA-568A     |
| Transmission rate                              | 10000 Mbit/s |

#### Connection Data

|                    |   |
|--------------------|---|
| Connection type    | IDC contact                                       |
| Solid conductor    | 0.21 ... 0.32 mm <sup>2</sup> / 24/1 ... 22/1 AWG |
| Stranded conductor | 0.11 ... 0.36 mm <sup>2</sup> / 27/7 ... 22/7 AWG |

### Physical data

|        |         |
|--------|---------|
| Width  | 13.8 mm |
| Height | 16.2 mm |
| Depth  | 49 mm   |

### Mechanical data

|   |                  |
|---|------------------|
| Connection requirement (permissible cable type) | Cat. 6A          |
| Connectable sheathed cable diameter             | 5.5 ... 9 mm     |
| Housing material                                | Zinc die casting |
| Weight  | 18 g             |

### Environmental requirements

|  |   |
|--|---|
| Ambient temperature (operation)          | -40 ... +85 °C  |
| Ambient temperature (storage)            | -40 ... +85 °C  |
| Protection type                          | IP20  |
| Relative humidity (without condensation) | 95 %  |
| Fire load                                | 0 MJ  |
| Standards/specifications                 | IEC60603-7-51, ISO/IEC 11801, IEEE 802.3an<br>EIA/TIA 568-C.2<br>DIN EN 50173-1<br>UL 1863<br>UL 2043 |

### Commercial data

|                       |               |
|-----------------------|---------------|
| PU (SPU)              | 1 pcs         |
| Packaging type        | Bag           |
| Country of origin     | TW            |
| GTIN                  | 4055143586184 |
| Customs tariff number | 85366990990   |

### Product Classification

|             |                      |
|-------------|----------------------|
| UNSPSC      | 39121413             |
| eCl@ss 10.0 | 27-24-26-92          |
| eCl@ss 9.0  | 27-24-26-92          |
| ETIM 9.0    | EC001121             |
| ETIM 10.0   | EC002584             |
| ECCN        | NO US CLASSIFICATION |

### Environmental Product Compliance

|                        |                         |
|------------------------|-------------------------|
| RoHS Compliance Status | Compliant, No Exemption |
|------------------------|-------------------------|

## Approvals / Certificates

### General approvals



| Approval                                | Standard | Certificate Name |
|---|----------|------------------|
| UL<br>Underwriters Laboratories<br>Inc. | UL 1977  | E345416          |

## Downloads

### Environmental Product Compliance

#### Compliance Search

|  |  |
|--|--|
| Environmental Product<br>Compliance<br>750-977/000-011 |  |
|--|--|

## Documentation

### Bid Text

|                 |            |                 |  |
|-----------------|------------|-----------------|--|
| 750-977/000-011 | 06.10.2017 | doc<br>24.50 KB |  |
| 750-977/000-011 | 19.02.2019 | xml<br>3.71 KB  |  |