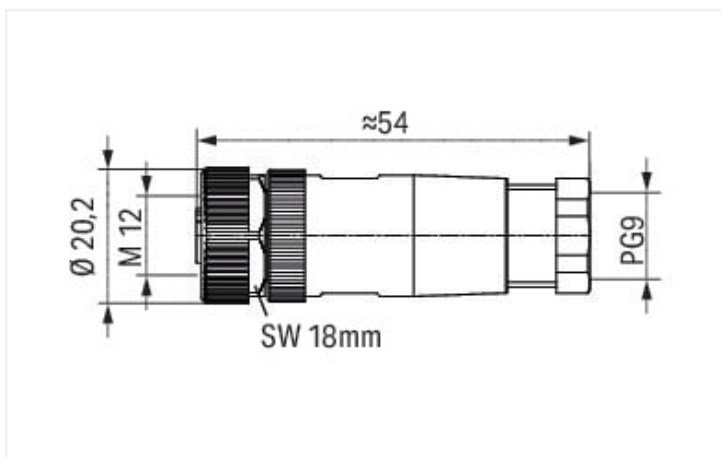


Similar to illustration



Dimensions in mm

Technical data

Connection type	M12 Socket
Pole number	4
Cable connection direction to mating direction	0°
Connector interface coding (cable/adapter) 1 1	A-coded
Contact resistance	≤3 mΩ

Connection data

Connection type 1	Screw clamp technology
Solid conductor	0.25 ... 0.75 mm ²

Mechanical data

Connectable sheathed cable diameter	6 ... 8 mm
Housing material	PA
Contact material	CuZn
Contact plating	Gold
Dichtungsmaterial	Sealing ring: neoprene
Mating cycles (max.)	100
Weight	25 g

Environmental requirements

Ambient temperature (operation)	-25 ... +85 °C
Protection type	IP67
Note on protection type	in locked state
Pollution degree	3
Fire load	0 MJ

Commercial data

eCl@ss 10.0	27-24-26-92
eCl@ss 9.0	27-24-26-92
ETIM 8.0	EC002584
ETIM 7.0	EC002584
PU (SPU)	5 (1) pcs
Packaging type	Box
Country of origin	DE
GTIN	4050821114291
Customs tariff number	85366990990

Environmental Product Compliance

CAS-No.	7439-92-1 96-45-7
REACH Candidate List Substance	Ethylene thiourea Lead
RoHS Compliance Status	Compliant,With Exemption
RoHS Exemption	6(c)
SCIP notification number (Austria)	d2c67ad0-5566-4ec2-aede-737d03103428
SCIP notification number (Belgium)	851534b2-3059-4634-97ea-6b34d329ebf8
SCIP notification number (Bulgaria)	2646b6df-d362-413c-867b-b7bb6fde1800
SCIP notification number (Czech Republic)	11ec33d0-c66b-4bdc-8a9d-77323c109742
SCIP notification number (Denmark)	84634e80-6aa1-42d6-9232-0d78727c5c33
SCIP notification number (Finland)	a7d8479f-a3b7-469d-96df-70403615b545
SCIP notification number (France)	70113f32-5217-44fb-bcbf-1ad6f53f4519
SCIP notification number (Germany)	c8d7499b-0822-4b4b-808e-cae962938dff
SCIP notification number (Hungary)	30506325-c76e-4d9c-8996-f3cc6701af6e
SCIP notification number (Italy)	e2615cbd-41ec-4d21-8966-efc7a85d039c
SCIP notification number (Netherlands)	6d6d8389-c086-41b0-ac31-ab6e6677d690
SCIP notification number (Poland)	219b4daa-29e4-4c52-b7fe-efa57f7f76a7
SCIP notification number (Romania)	69b8c290-d55e-47c5-850d-fa4f1f6bbe4d
SCIP notification number (Sweden)	a696a2f2-4a85-4f4b-8e3a-addce65e4c93

Downloads

CAD/CAE-Data

CAE data

WSCAD Universe
756-9213/040-000

