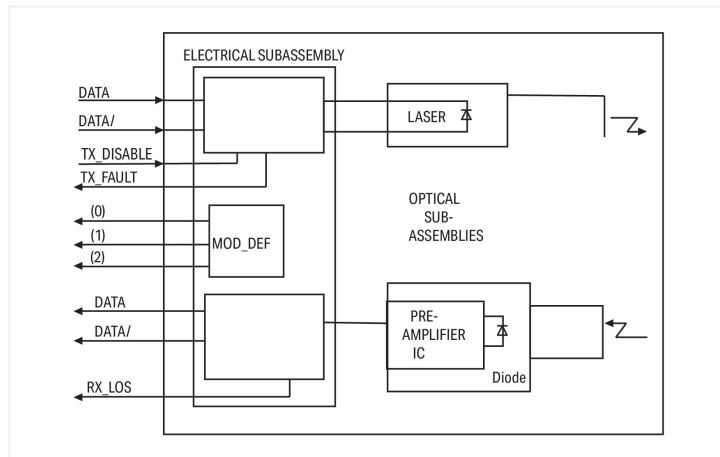
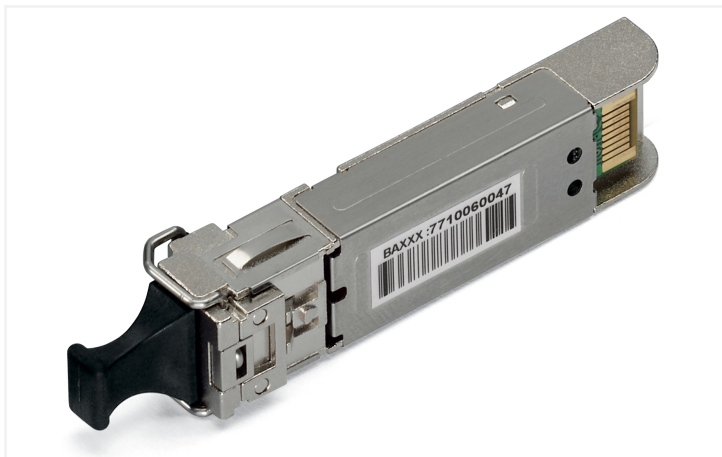


# Data Sheet | Item Number: 852-201/107-030

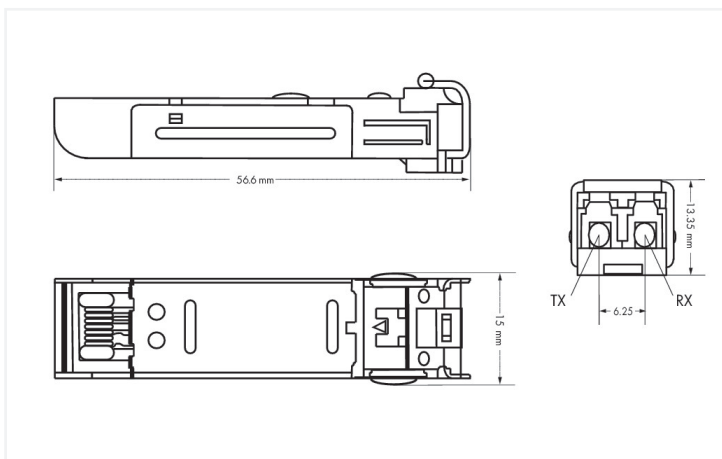
SFP Module 100BASE; LX Single-Mode 1310 nm LC; 30 km; silver-colored

<https://www.wago.com/852-201/107-030>



Color: ■ silver-colored

Similar to illustration



Dimensions in mm

## Features:

- Duplex LC optical connector
- Small Form-Factor Pluggable (SFP) industry-standard design
- Compliant with Fast ETHERNET standard
- Differential LVPECL inputs and outputs
- Power supply: 3.3 V
- TTL signal detect indicator
- Hot-pluggable capability

### Technical data

Optical fiber type	Single-mode
--------------------	-------------

### Connection Data

Connection technology: communication/fieldbus	1 x SFP; LC fiber-optic connector
Connection requirement (permissible cable length)	30000 m
Connection requirement (permissible cable type)	Single-mode fiber 9/125 µm; Wavelength: 1310 nm

### Physical data

Width	13.4 mm / 0.528 inches
Height	13.3 mm / 0.524 inches
Depth	56.6 mm / 2.228 inches

### Material data

Color	silver-colored
Fire load	0 MJ
Weight	25.5 g

### Environmental requirements

Ambient temperature (operation)	0 ... +60 °C
Ambient temperature (storage)	-20 ... +80 °C

### Commercial data

PU (SPU)	1 pcs
Packaging type	Box
Country of origin	TW
GTIN	4045454635411
Customs tariff number	85176200000

### Product Classification

UNSPSC	43201553
eCl@ss 10.0	19-17-01-30
eCl@ss 9.0	19-17-01-06
ETIM 9.0	EC000309
ETIM 10.0	EC000309
ECCN	NO US CLASSIFICATION

### Environmental Product Compliance

RoHS Compliance Status	Compliant, No Exemption
------------------------	-------------------------

**Approvals / Certificates**

**General approvals**



Approval	Standard	Certificate Name
EAC GZO Almaty Standart	TP TC 020/2011	EAC CoC 03083
KC National Radio Research Agency	Article 58-2, Clause 3	MSIP-REM-W43-SFP852

**Declarations of conformity and manufacturer's declarations**

Approval	Standard	Certificate Name
EU-Declaration of Conformity WAGO GmbH & Co. KG	-	-

**Downloads**

**Environmental Product Compliance**

**Compliance Search**

Environmental Product Compliance 852-201/107-030	↓
---	---

**Documentation**

**System Description**

Industrial Switches – General Product Information	pdf 1873.93 KB	↓
---	-------------------	---

**Bid Text**

852-201/107-030	19.02.2019	xml 3.78 KB	↓
852-201/107-030	09.03.2018	doc 26.50 KB	↓
ausschreiben.de 852-201/107-030			↓

**CAD/CAE-Data**

**CAE data**

EPLAN Data Portal 852-201/107-030	↓
WSCAD Universe 852-201/107-030	↓