

**maxGUARD
AMG FIM-C**

Weidmüller Interface GmbH & Co. KG
Klingenbergstraße 26
D-32758 Detmold
Germany
Fon: +49 5231 14-0
Fax: +49 5231 14-292083
www.weidmueller.com



Similar to illustration

Efficient machine and facility operation calls for fail-safe and maintenance-friendly control voltage distribution that can be installed in a time and space-saving manner.

With the new maxGUARD system, the terminal blocks (previously installed separately) for distributing potential to the outputs of the electronic load monitors become an integral part of a 24 V DC control voltage distribution system.

The innovative combination of load monitoring and potential distribution saves time during installation, increases safety against failure and reduces the amount of space required on the terminal rail by 50%.

General ordering data

| | |
|------------|----------------------------|
| Type | AMG FIM-C |
| Order No. | 2081880000 |
| Version | Supply module, 24 V DC |
| GTIN (EAN) | 4050118419429 |
| Qty. | 1 pc(s). |

**maxGUARD
AMG FIM-C**

Weidmüller Interface GmbH & Co. KG
 Klingenbergstraße 26
 D-32758 Detmold
 Germany
 Fon: +49 5231 14-0
 Fax: +49 5231 14-292083
 www.weidmueller.com

Technical data**Dimensions and weights**

| | | | |
|------------|---------|-----------------|------------|
| Width | 12.2 mm | Width (inches) | 0.48 inch |
| Height | 125 mm | Height (inches) | 4.921 inch |
| Depth | 96.5 mm | Depth (inches) | 3.799 inch |
| Net weight | 78 g | | |

Temperatures

| | | | |
|-----------------------------|----------------|-----------------------------|----------------|
| Operating temperature, max. | 55 °C | Operating temperature, min. | -25 °C |
| Storage temperature, max. | 85 °C | Storage temperature, min. | -40 °C |
| Operating temperature | -25 °C...55 °C | Storage temperature | -40 °C...85 °C |

Probability of failure

| | |
|------|-----------|
| MTTF | 500 Years |
|------|-----------|

Environmental Product Compliance

| | |
|------------|----------------|
| REACH SVHC | Lead 7439-92-1 |
|------------|----------------|

Input

| | | | |
|--|----------|---------------------------------|--------------|
| Connection system | PUSH IN | Current consumption (full load) | 120 mA |
| Current consumption (idle) | 20 mA | DC input voltage range | 18...30 V DC |
| Input fuse (internal) | No | Rated input voltage | 24 V DC |
| max. admissible residual ripple at the input | 100 mVpp | | |

Output

| | |
|-------------------|---------|
| Connection system | PUSH IN |
|-------------------|---------|

General data

| | | | |
|-------------------------------------|------------------|-----------------------------|------------------|
| Conformal coating | No | Control inputs | Reset |
| Monitoring function | Yes | Operating temperature | -25 °C...55 °C |
| Power loss, idling | 384 mW | Power loss, nominal load | 500 mW |
| Protection degree | IP20 | Surge protection input, bus | Suppressor diode |
| Surge protection input, output, bus | Suppressor diode | Surge voltage category | III |

Insulation coordination

| | |
|------------------------|-----|
| Surge voltage category | III |
|------------------------|-----|

Connection data (input)

| | | | |
|---|----------------------|---|--------------------|
| Conductor cross-section, AWG/kcmil , max. | 6 | Conductor cross-section, AWG/kcmil , min. | 18 |
| Conductor cross-section, flexible , min. | 0.75 mm ² | Conductor cross-section, rigid , max. | 10 mm ² |
| Conductor cross-section, rigid , min. | 0.75 mm ² | Connection system | PUSH IN |
| Number of terminals | 2 (+,-) | Screwdriver blade | 1.2 x 6.5 |
| Wire connection cross section, flexible (input), max. | 16 mm ² | | |

maxGUARD AMG FIM-C

Weidmüller Interface GmbH & Co. KG
 Klingenbergstraße 26
 D-32758 Detmold
 Germany
 Fon: +49 5231 14-0
 Fax: +49 5231 14-292083
 www.weidmueller.com

Technical data

Connection data (output)

| | | | |
|---|---------------------|---|----------------------|
| Conductor cross-section, AWG/kcmil , max. | 12 | Conductor cross-section, AWG/kcmil , min. | 26 |
| Conductor cross-section, flexible , max. | 1.5 mm ² | Conductor cross-section, flexible , min. | 0.14 mm ² |
| Conductor cross-section, rigid , max. | 1.5 mm ² | Conductor cross-section, rigid , min. | 0.14 mm ² |
| Connection system | PUSH IN | Number of terminals | 2 (I< / Alarm) |
| Screwdriver blade | 0.4 x 2.5 | | |


Connection data (signal)

| | |
|--|---------------------|
| Wire connection cross-section, flexible (signal), max. | 1.5 mm ² |
|--|---------------------|

Signalling

| | | | |
|---------------------------------------|----------------------|------------|---|
| LED green | Operating voltage OK | Red LED | Alarm |
| Transistor output, positive-switching | Alarm | Yellow LED | External reset is signalled, Alarm is signalled |

Approvals

| | | | |
|-------------------|---|-------------------------|---------|
| Institute (cULus) |  | Certificate no. (cULus) | E258476 |
|-------------------|---|-------------------------|---------|

Ratings IECEx/ATEX/cUL

| | |
|-------------------------|---------|
| Certificate no. (cULus) | E258476 |
|-------------------------|---------|

Classifications

| | | | |
|-------------|-------------|------------|-------------|
| ETIM 6.0 | EC000897 | ETIM 7.0 | EC000897 |
| eClass 9.0 | 27-14-11-20 | eClass 9.1 | 27-14-11-20 |
| eClass 10.0 | 27-14-11-20 | | |

Approvals

| | |
|-----------|--|
| Approvals |  |
| ROHS | Conform |

Downloads

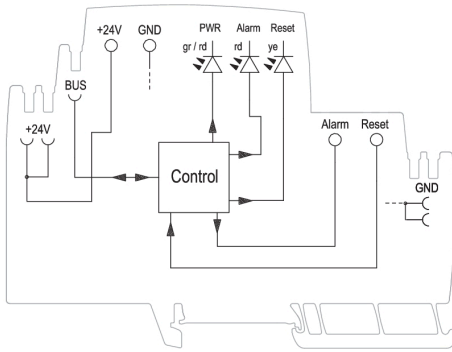
| | |
|---|---|
| Approval/Certificate/Document of Conformity | Declaration of Conformity |
| Engineering Data | EPLAN, WSCAD, Zuken E3.S |
| Engineering Data | STEP |
| User Documentation | Manual maxGUARD Operating instructions |

Data sheet

**maxGUARD
AMG FIM-C**

Weidmüller Interface GmbH & Co. KG
Klingenbergstraße 26
D-32758 Detmold
Germany
Fon: +49 5231 14-0
Fax: +49 5231 14-292083
www.weidmueller.com

Drawings



Schematic circuit diagram