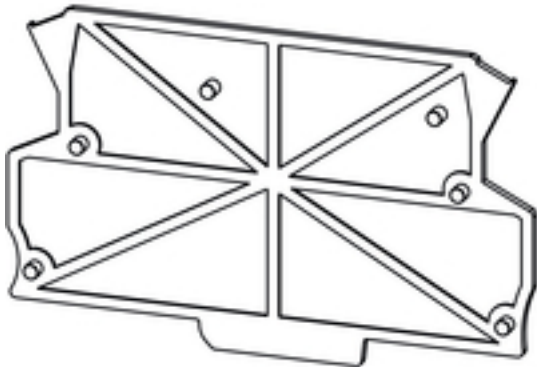


**MCZ SERIES**  
**AP MCZ1.5**

**Weidmüller Interface GmbH & Co. KG**  
Klingenbergstraße 16  
D-32758 Detmold  
Germany  
Fon: +49 5231 1429-0  
Fax: +49 5231 14292083  
www.weidmueller.com



End plates: for electronic components with terminal-block design.

**General ordering data**

Type	AP MCZ1.5
Order No.	<a href="#">8389030000</a>
Version	End plate, MCZ SERIES grey-beige, End plate, Width: 1.5 mm
GTIN (EAN)	4008190386849
Qty.	50 pc(s).

## MCZ SERIES AP MCZ1.5

**Weidmüller Interface GmbH & Co. KG**  
 Klingenbergstraße 16  
 D-32758 Detmold  
 Germany  
 Fon: +49 5231 1429-0  
 Fax: +49 5231 14292083  
 www.weidmueller.com

## Technische Daten

### Dimensions and weights

Length	91 mm	Length (inches)	3.583 inch
Width	1.5 mm	Width (inches)	0.059 inch
Height	55.85 mm	Height (inches)	2.199 inch
Net weight	5.961 g		

### Temperatures

Temperature range, installation, min.	-25 °C	Temperature range, installation, max.	120 °C
---------------------------------------	--------	---------------------------------------	--------

### General data

Installation advice	Direct mounting
---------------------	-----------------

### Classifications

ETIM 3.0	EC000886	ETIM 5.0	EC000886
ETIM 6.0	EC000886	UNSPSC	30-21-18-27
eClass 5.1	27-14-11-33	eClass 6.2	27-14-92-14
eClass 7.1	27-14-11-33	eClass 8.1	27-14-11-33
eClass 9.0	27-14-11-33	eClass 9.1	27-14-11-33

### Approvals

Approvals



ROHS	Conform
------	---------

### Downloads

Brochure/Catalogue	<a href="#">FL ANALO.SIGN.CONV. EN</a> <a href="#">MB DEVICE MANUF. EN</a> <a href="#">CAT 4.1 ELECTR 16/17 EN</a> <a href="#">CAT 4.2 ELECTR 15/16 EN</a> <a href="#">CAT 2 PORTFOLIOGUIDE EN</a> <a href="#">FL MACHINE SAFETY EN</a> <a href="#">FL 72H SAMPLE SER EN</a> <a href="#">PO OMNIMATE EN</a>
Engineering Data	<a href="#">EPLAN, WSCAD, Zuken E3.S</a>

**Datenblatt**

**MCZ SERIES  
AP MCZ1.5**

**Weidmüller Interface GmbH & Co. KG**  
Klingenbergstraße 16  
D-32758 Detmold  
Germany  
Fon: +49 5231 1429-0  
Fax: +49 5231 14292083  
[www.weidmueller.com](http://www.weidmueller.com)

**Zeichnungen**

