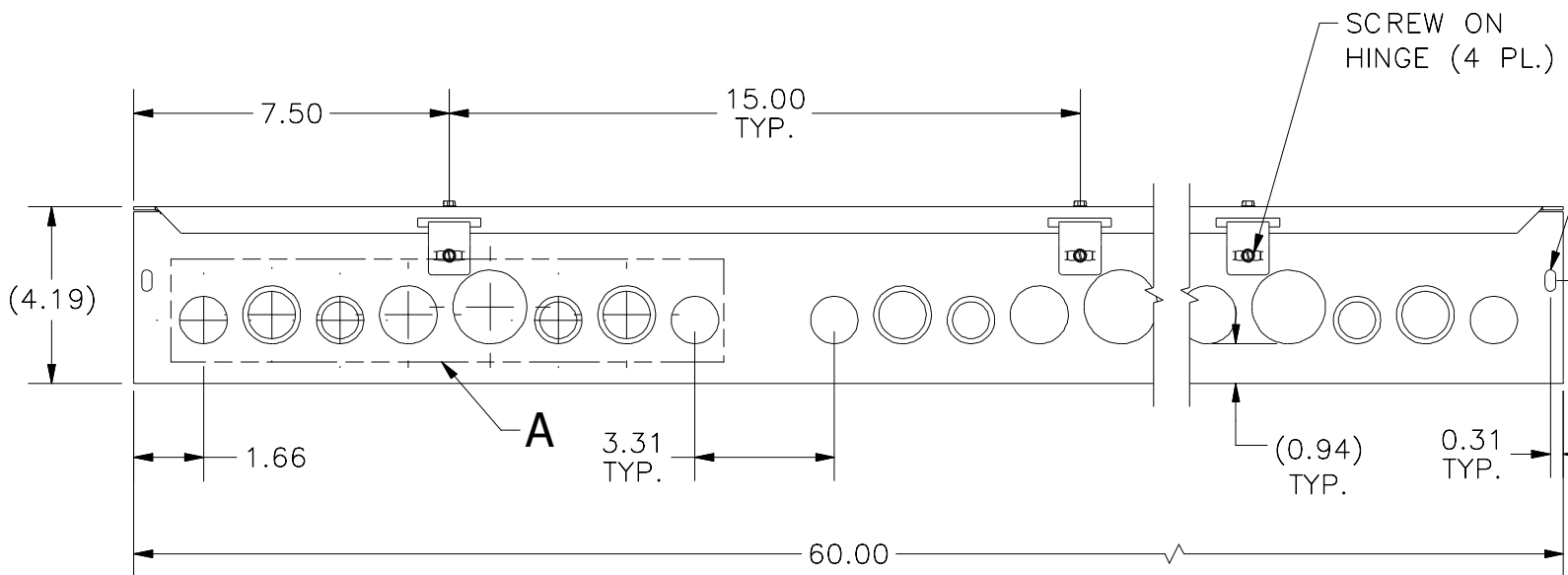
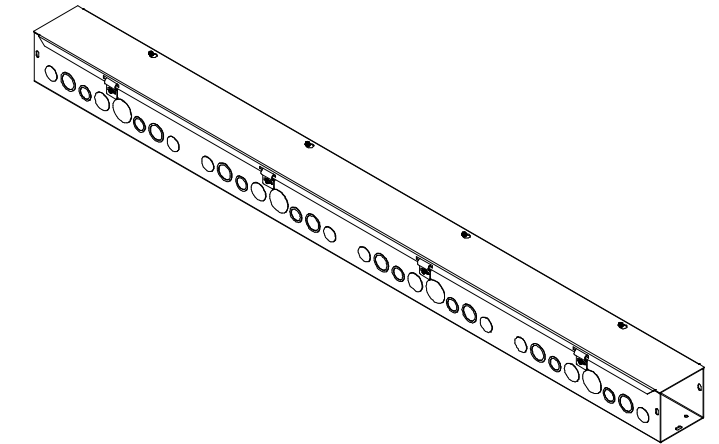
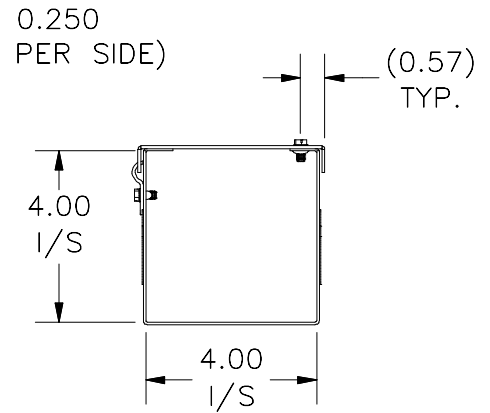


TOP VIEW

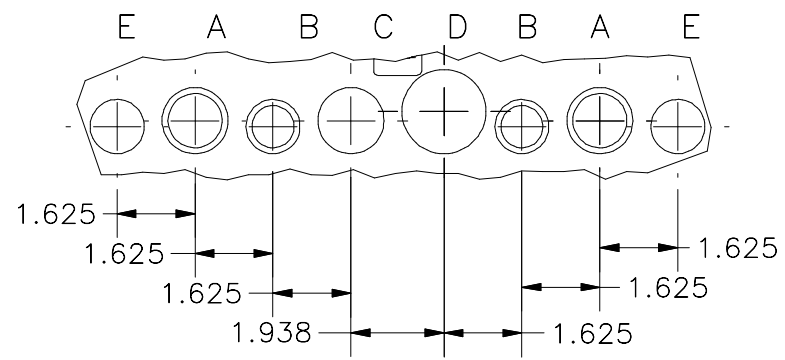
#10-32 X 3/8" SCREW,
SELF-TAPPING (4 PL.)



FRONT VIEW

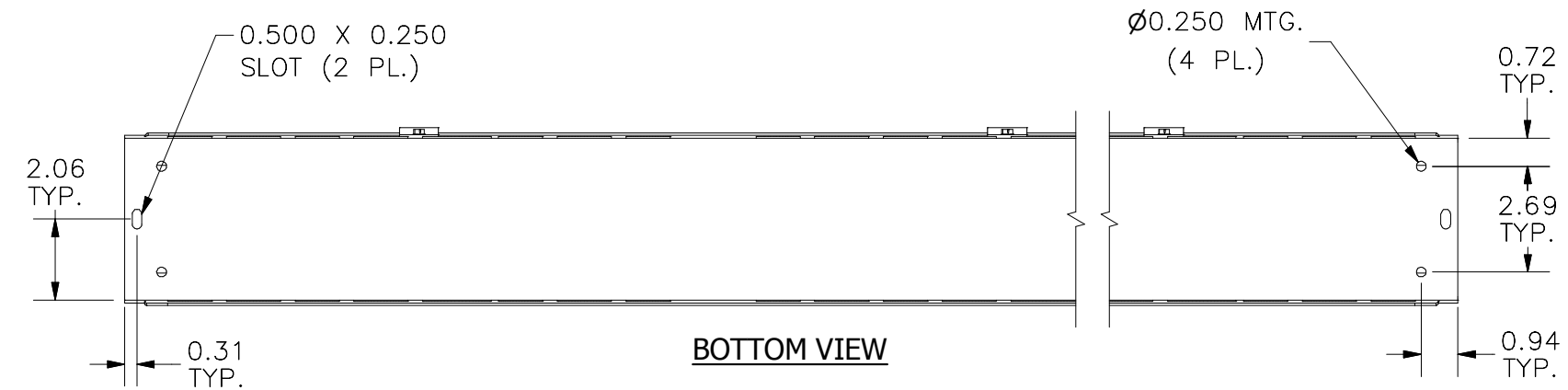


RIGHT VIEW



**DETAIL A (4 PL. PER SIDE)
K.O. PATTERN DESCRIPTION**

- A) 3/4"-1" CONCENTRIC KO (2 PL)
- B) 1/2"-3/4" CONCENTRIC KO (2 PL)
- C) 1" SOLID KO (1 PL)
- D) 1 1/4" SOLID KO (1 PL)
- E) 3/4" SOLID KO (2 PL)



BOTTOM VIEW

PART#: HS445
(DATA SUBJECT TO CHANGE WITHOUT NOTICE)