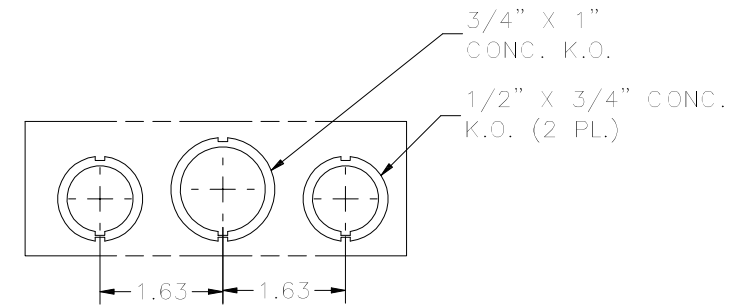
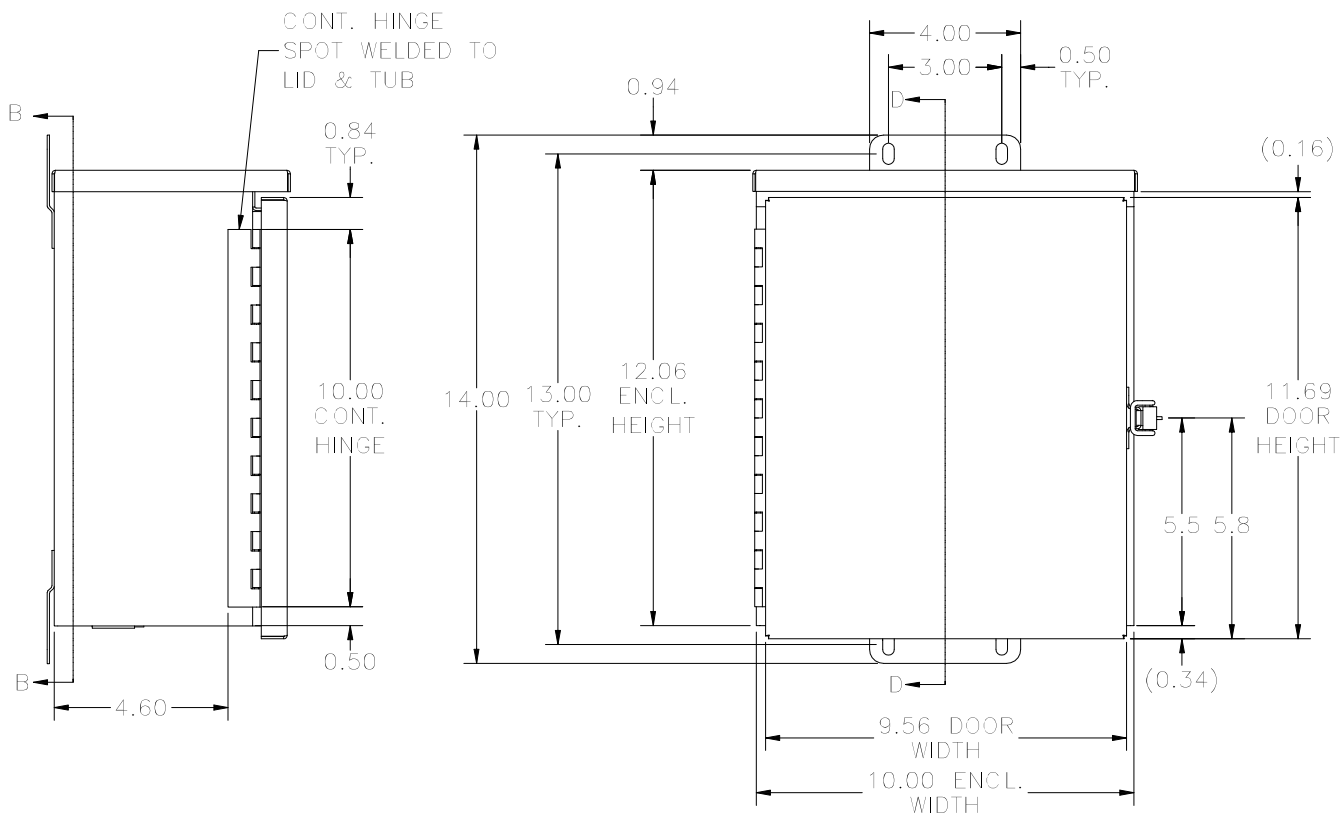
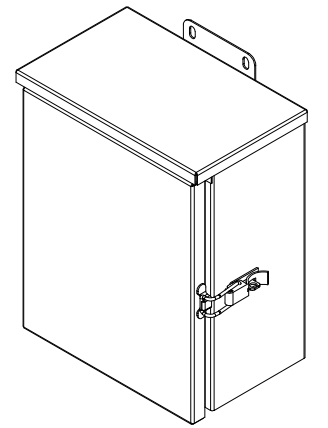


**TOP VIEW**

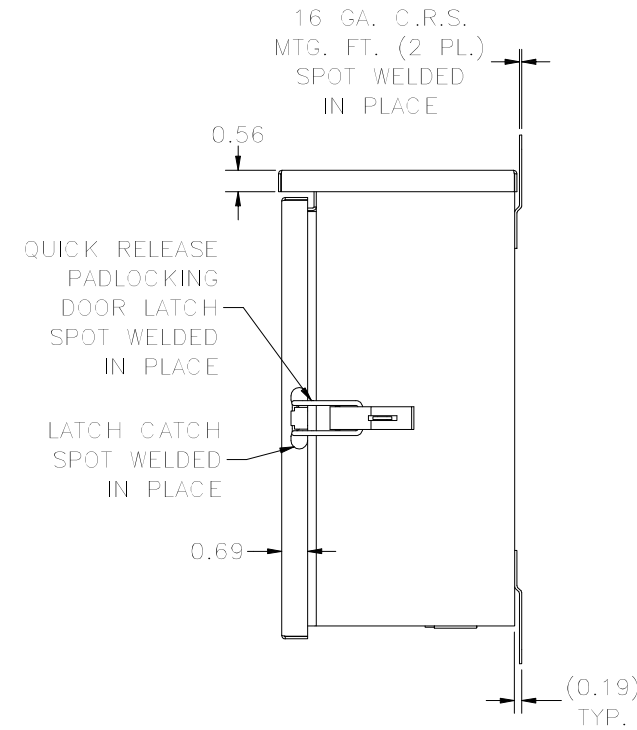


**DETAIL C (KNOCKOUT DETAIL)**

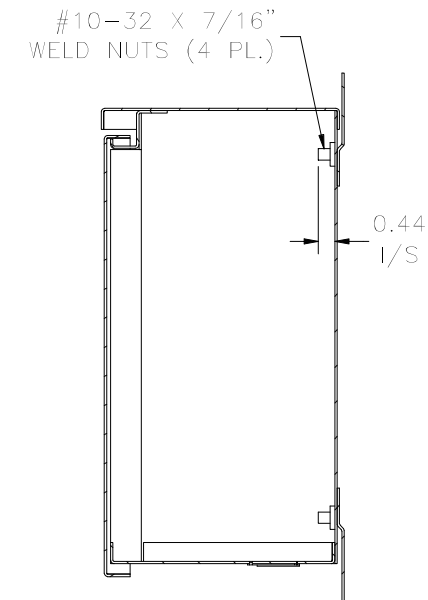


**LEFT SIDE VIEW**

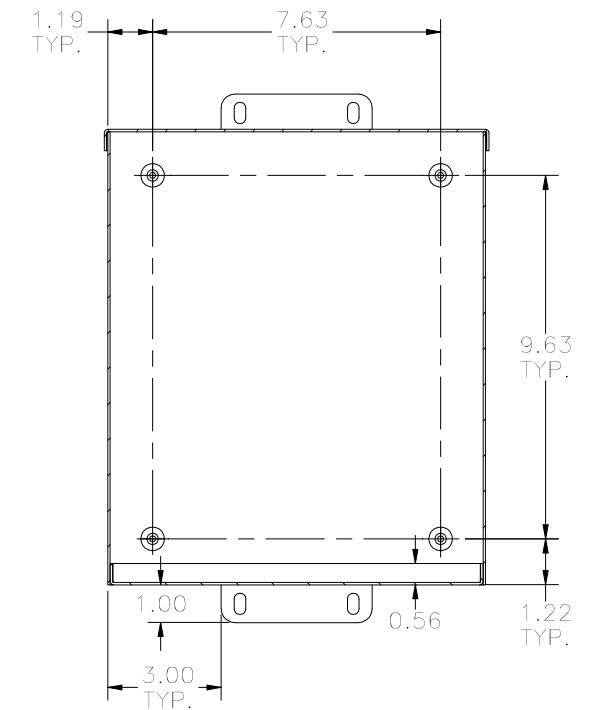
**FRONT VIEW**



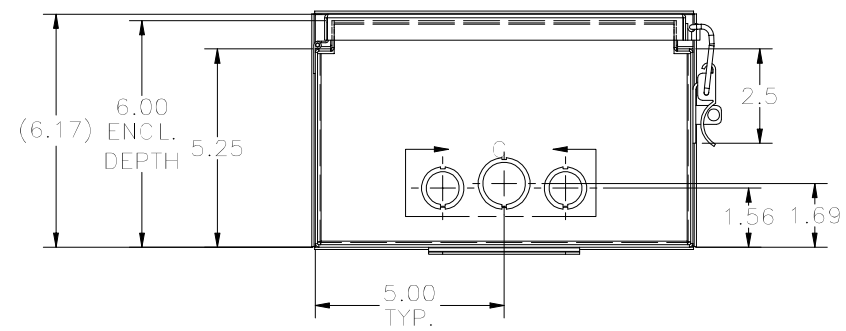
**RIGHT SIDE VIEW**



**SECTION D-D VIEW (INSIDE LEFT OF ENCL.)**



**SECTION B-B VIEW (INSIDE BACK OF ENCL.)**



**BOTTOM VIEW**

PART#: RHC101206  
(DATA SUBJECT TO CHANGE WITHOUT NOTICE)

THIS DRAWING IS PROPERTY OF HUBBELL INC. WIEGMANN  
ALL INFORMATION IS PROPRIETARY AND NOT TO BE DUPLICATED